



MANUAL PUMP

MANUAL PUMPS FOR OIL AND GREASE

Heavy-duty pumps with follower plate and level indicator dipstick.

Die-cast pumping body made of a special light alloy, adjusted, lapped and hardened steel piston.

The pump can be equipped with:

- pressure adjustment valve and pin pressure indicator;
- manual release valves for systems that require pressure to be consistently released;
- check valve and delivery filter for use with progressive systems.

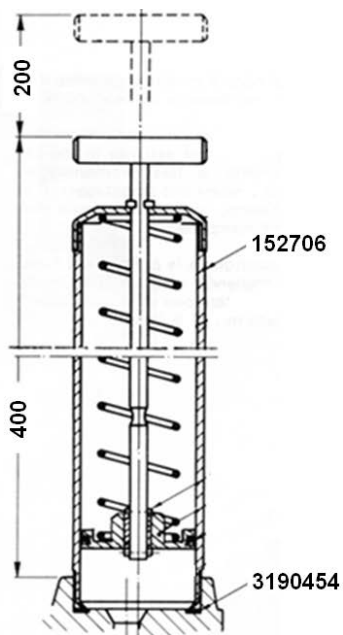
The grease version is equipped with a reservoir filling valve (only for pump code 152701).



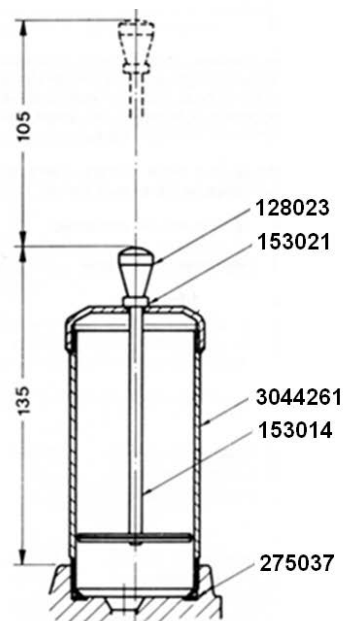
GENERAL TECHNICAL CHARACTERISTICS

Pumping system	Piston
Max. operating pressures	125 bar
Capacity of the reservoirs:	1KG (grease) - 0.3L (fluid grease) - 0.27L (oil)
Flow rate	1.7 cc/stroke
Outlet connection	G1/4" BSP
Operating temperature	+ 5 ÷ + 40 °C
Permitted lubricants	Oil: min. 32 cSt max. 1000cSt Grease: NLGI 0÷2 max.
Bypass	Adjustable up to 125 bar
Conservation temperature	-20÷+65°C

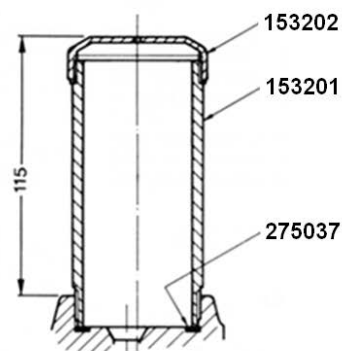
DIMENSIONS (DRAWING NOT TO SCALE)



1 kg for pump 152700 e 152701



300 cc... for pumps: 153500, 153501 e 153502

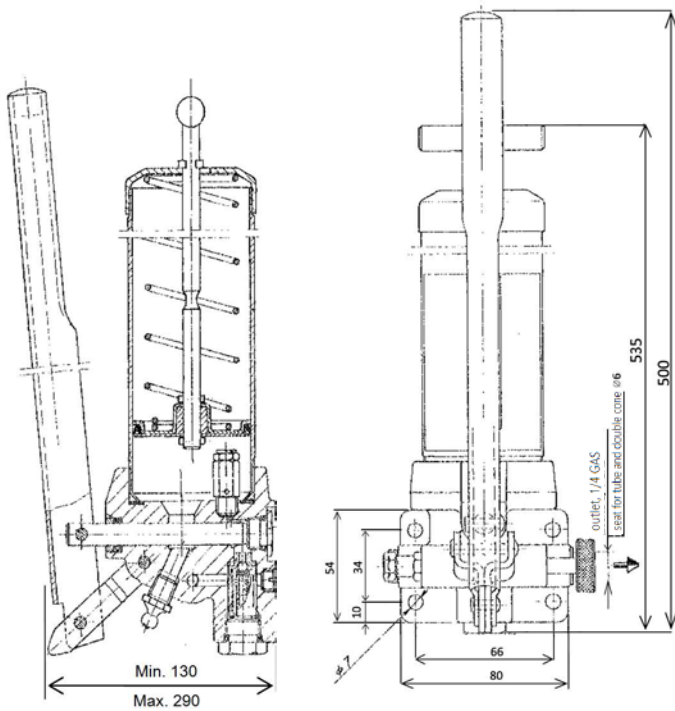


270 cc... for pumps: 153700, 153701

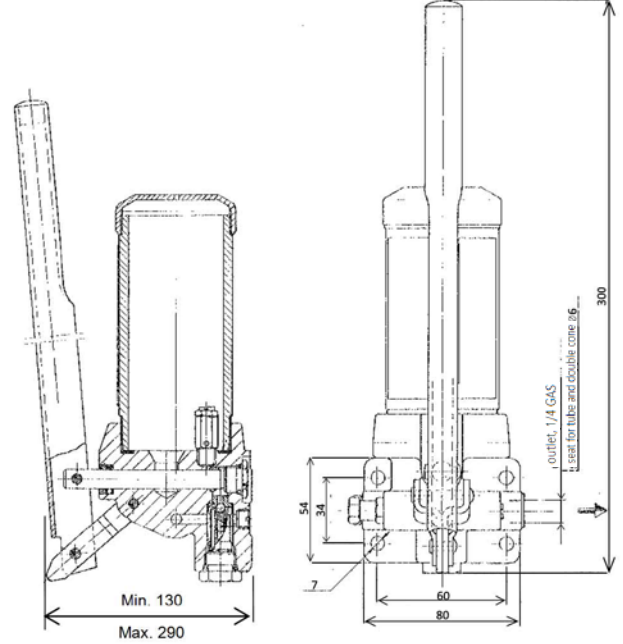


MANUAL PUMP

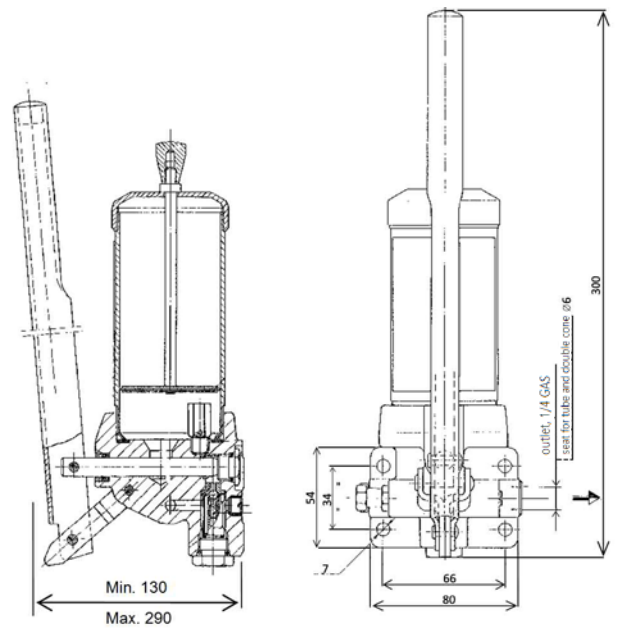
Code: 0152700, 0152701



Code: 0153700, 0153701



Code: 0153500, 0153501, 0153502



ORDER INFORMATION

RESERVOIR	SYSTEM	LUBRICANT	PRECALIBRATED BYPASS	CODE
1 l	03 - DL	Grease NLGI 1-2	125	0152700
	Progressive	Grease NLGI 1-2	100	0152701
0.3 l	03 - DL	Grease NLGI 0	125	0153500
	Progressive	Grease NLGI 0	100	0153501
	Progressive	Grease NLGI 0	100 (fastening hole Ø9)	0153502
0.27 Kg	03 - DL	Oil	125	0153700
	Progressive	Oil	100	0153701

Distributor Info:

C2257PE WK 47/15

Dropsa products can be purchased at Dropsa branches and authorised distributors. Go to www.dropsa.com/contact or write to sales@dropsa.com