

CHARACTERISTICS

- USED OIL AND FLUID GREASE
- RESERVOIR: 2L-3L
- PROGRAMMABLE ELECTRONIC BOARD
- MULTIPLE CONNECTOR OPTIONS

THE SIMPLE SOLUTION FOR OIL AND FLUID GREASE LUBRICATION

Compact and versatile SMART³ & SIMPLE pump is engineered to lubricate in a quickly and easily your systems.

The control board allows to program easily the timing of cycle lubrication setting lubrication time and stand-by time cycle.

SMART³ & SIMPLE is ideal for application in Single Line, typically Dropsa 01 line or 33V injector systems.

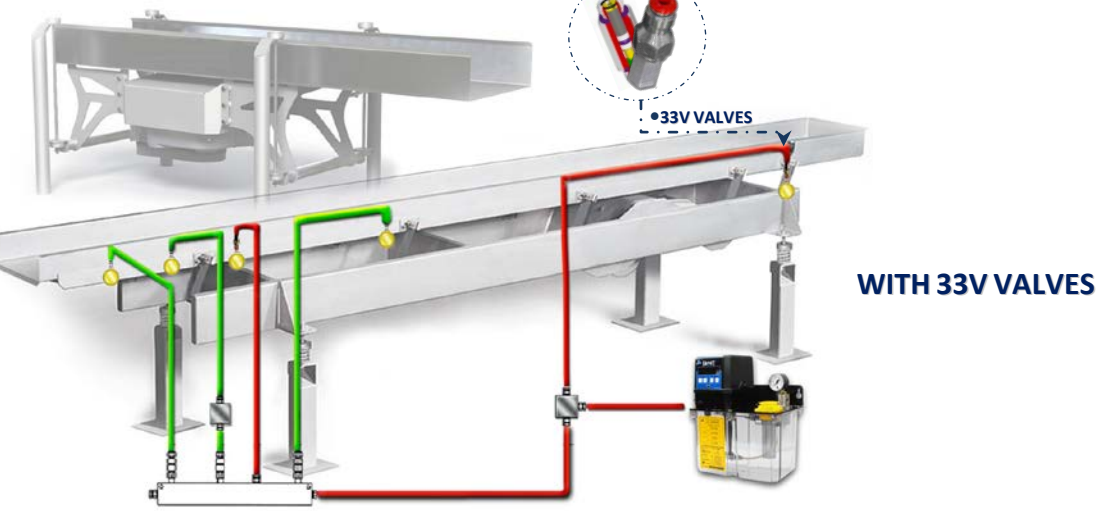
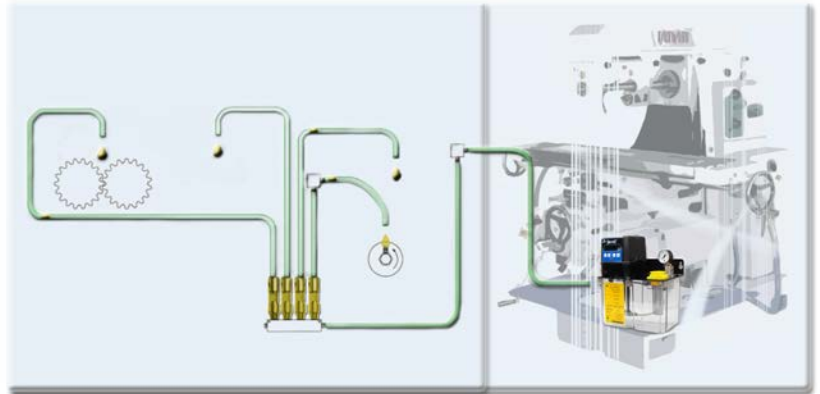


THANKS TO "TIMER" MODE YOU CAN SET IN A QUICK AND EASY WAY, WITH 4 BUTTONS ON THE PANEL, TIMES OF LUBRICATION AND PAUSE TIME.



APPLICATION EXAMPLES

WITH DROPSA 01 SYSTEM

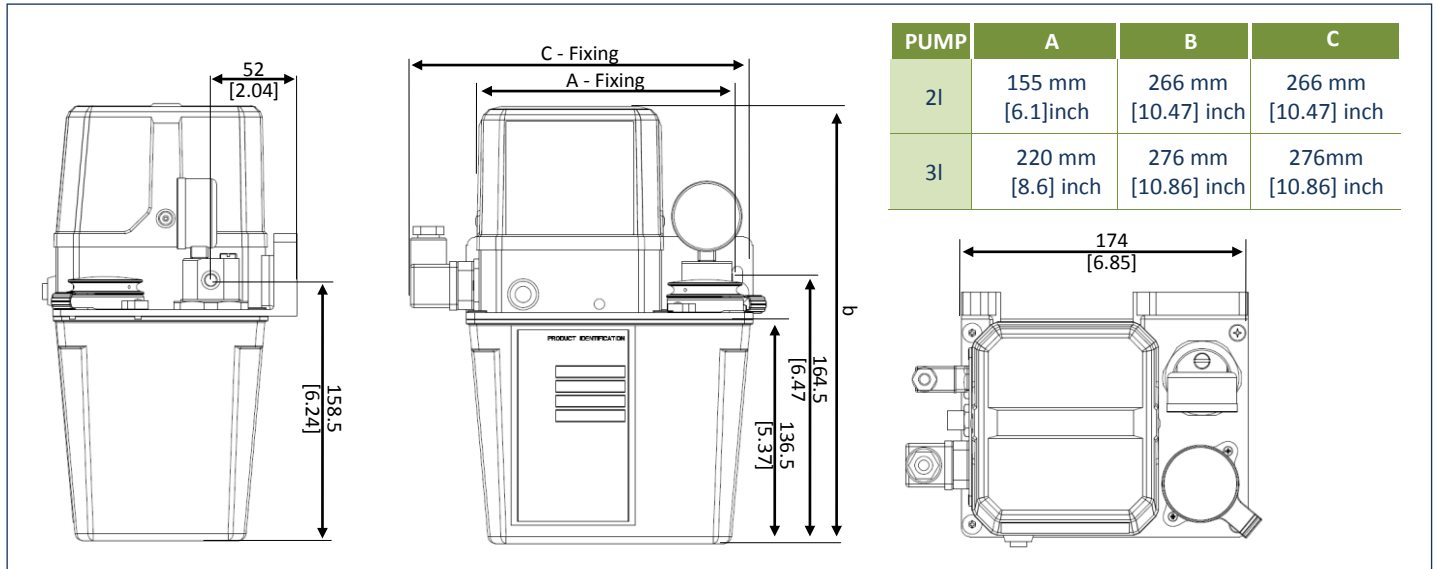


WITH 33V VALVES

APPLICATIONS

- ANY SMALL AND MEDIUM OIL OR FLUID GREASE SYSTEM
- TOOL MACHINES

DIMENSIONS (NOT TO SCALE)



TECHNICAL SPECIFICATIONS

Motors	110V -2p- 50/60 Hz 140/175W - (2800/3500 rpm) 230V – 2p- 50 Hz 135 W - (2800 rpm) 230V – 2p- 60 Hz 170 W - (3500 rpm) 24 V CC - 55 W - (2800 rpm)	Min level optical sensor indicator (Oil 32 cSt-320 cSt ;Grease max NLGI000)	NPN / PNP protected against short circuit, off in case of low level
Min Level floating switch indicator (oil only)	With NC contact in case of liquid	Permitted lubricants*	Oil 32 cSt-320 cSt ; Grease max NLGI000;
Continuous sound pressure level	< 70 dB(A)	Max working time Continuous of the pump	1 min
Flow rate	180 dc/min @ 2800 rpm 220 dc/min @ 3500 rpm	operating pressures Maximum	3~30 bar
Operating temperature	+ 5 ÷ + 60 °C	Operating humidity	90% R.H.
Pressure switch	10÷20bar - 18 bar preset	Conservation Temperature	-20 ÷ +80 °C
Outlet connection	G1/8" BSP	Filter	Degree of filtration 1000 µ
By-pass	Adjustable 0÷30 bar – preset 25 bar	Minimum stand-by time	5 times T-on

ORDER INFORMATION

SMART³ & SIMPLE

LEVEL	ALARM	POWER	PART NO	
			RESERVOIR 2L	RESERVOIR 3L
Optical	Contact NO/NC	24Vdc	4012018	4012318
		110Vac-50/ 60Hz	4012118	4012418
		230Vca 50Hz	4012218	4012518
		230Vca 60Hz	4012618	4012718

SPARE PARTS		
ITEM	DESCRIPTION	PART NO
PUMP	180 DC Flow rate	3099166
	110Vca 50/60Hz monofase - 140/175W 2P	3301565
MOTOR	230Vca 50Hz monofase - 135W 2P	3301567
	230Vca 60Hz monofase - 170W 2P	3301600
	24Vcc	3301582
Cycle sensor	Magnetic	1655763
	Optical	1639201
FILTER	1000µ grade	3130466
RESERVOIR	2 l	6770102
	3 l	6770033

SPARE PARTS		
ITEM	DESCRIPTION	PART NO
PRESSURE/OUTLET	NA 10~20 bar set.18bar	3291048
MANIFOLD	NC 10~20 bar set.18bar	3291035
PRESSURE GAUGE	0-100 bar	0020564
CONTROL PCB	110Vca	1639225
	230Vca	1639224
	24Vcc	1639226
CONNECTOR M12 X 1	5 poles plug connector female	0039170
DIN 43650 CONNECTOR	3 poles / heart -female- PG9 output cables	0039976

Distributor Info: