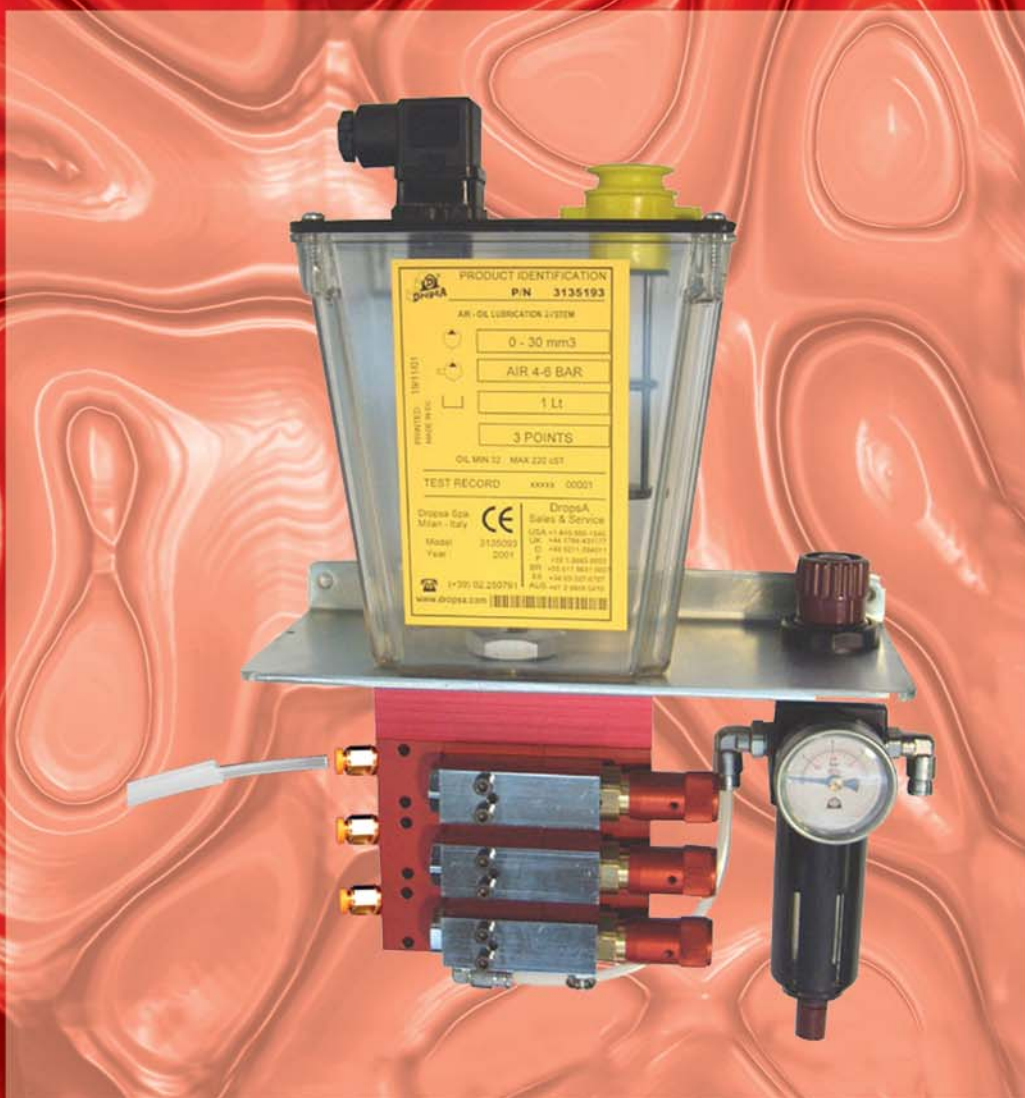


# VIP4Tools Coaxial



A Complete Solution for  
a wide range of Air/Oil  
and Dry Machining  
Applications



Automatic Lubrication Systems

GB  
USA  
VIP4 Tools Coaxial

# A Complete Range of components, lubricants and accessories to realise your Dry Machining Application

The Vip4Tools Coaxial lubrication system has been designed to guarantee high performance at low price and is characterised by compactness. It has been conceived for use on:

- machine tools;
- chains.

The system is made of sub-base assembled to pneumatic-operated mini-pumps with manual regulation, which can satisfy any need: from 0 to 30mm<sup>3</sup>.

The technological innovation of the system consists in coaxiality: oil is injected through a capillary pipe (Ø3 mm – 0.11 in.) up to the air-oil lubrication nozzle, at the same time, the air flows to the same nozzle through another pipe (Ø6 mm – 0.23 in.), coaxial to the previous.

Some of key advantages of Dropsa Vip4Tools Coaxial:

- Increased Tool Life
- Significant Reduction in Lubricant Usage.
- No Work-area Mist
- Clean Machined Parts.

The Vip4Tools Coaxial main unit can be fitted with a *pneumatic timer*, that automatically cycles the system or alternatively with a 3-way *solenoid valve* for applications where the time interval is controlled by the host machine. Additionally each lubrication outlet can be individually regulated from 0-30 mm<sup>3</sup> of oil discharge.

TECHNICAL INFORMATION	
Operating Air Pressure	5 ÷ 8 bar (74 ÷ 118 psi)
Operating Temperature	-10 ÷ +80 °C (14°F ÷ 176°F)
Humidity	90% max
Lubricants	Mineral Oil
Level Switch, Max Load	50 W
Level Switch, Max Current	1 A
Level Switch, Max Voltage	220 V CA



## DESIGNING YOUR VIP4TOOLS APPLICATION IN 4 EASY STEPS...

**STEP 1** - Choose the Number of spray points you require and the size of Reservoir.

No. of Punti	Reservoir 1 Lt (0.22 gallon)	Reservoir 3 Lt (0.66 gallon)
1	3135191	3135241
2	3135192	3135242
3	3135193	3135243
4	3135194	3135244
5	3135195	3135245
6	3135196	3135246
7	3135197	3135247
8	3135198	3135248

**STEP 2** - Choose how you want to control the system

3132572 - Pneumatic Timer (operates in standalone) 1s ÷ 1 min.	✓
3132574 - EV - 24 V CC (*)	
3132575 - EV - 110 V CA (*)	

(\*) For these part. num. please insert in your order also:  
 cod. 39979 – connector - quantity 1; cod. 53923 – screw - quantity 3;  
 cod. 16077 – washer - quantity 3  
 Panels arranged for kit mounting.

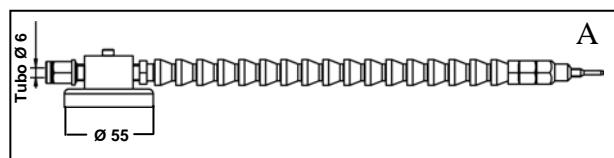
**STEP 3** - Select the Lubricant for your application.

3226661- LRT 30 - Oil - 1 lt (\*)

(\*) For all types of applications

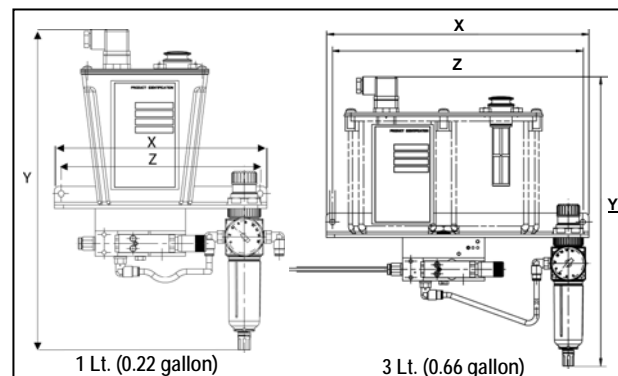
**STEP 4** Choose the number and type of spray fittings and accessories you require.

Item	P/N	Description	Qty
A	3132768	Air-oil lubrication nozzle	
-	5717301	Tube Ø6x4.5 mm (0.23x0,17 in.)	
-	5717232	Tube Ø3x1.5 mm (0.11x0,06 in.)	



## Panel Dimensions

	mm (in)	Number of elements							
		1	2	3	4	5	6	7	8
Reservoir 1 Lt (0.22 gallon)	Y	363 (14.3)	391 (15.4)	419 (16.5)	447 (17.6)	475 (18.7)	503 (19.8)	531 (20.9)	559 (22.0)
	X	235 (9.25)							
	Z	220 (8.66)							
	Weight Kg (lbs)	2,7 (5.9)	3,2 (7.0)	3,7 (8.1)	4,2 (9.2)	4,7 (10.3)	5,2 (11.4)	5,7 (12.5)	6,2 (13.6)
Reservoir 3 Lt. (0.66 gallons)	Y	274 (10.78)	302 (11.88)	330 (12.99)	358 (14.09)	386 (15.19)	414 (16.30)	442 (17.40)	470 (18.50)
	X	320 (12.59)							
	Z	305 (12)							
	Weight Kg (lbs)	3,6 (7.9)	4,1 (9.03)	4,6 (10.14)	5,1 (11.24)	5,6 (12.34)	6,1 (13.44)	6,6 (14.55)	7,1 (15.65)



Web site:  
<http://www.dropsa.com>

E-mail:  
[sales@dropsa.com](mailto:sales@dropsa.com)

WK 26/07  
 C2086PE

ITALY  
 Dropsa SpA  
 t.(+39) 02-250791  
 f.(+39) 02-25079767

SPAIN  
 Polydrop, S.A.  
 t.(+34) 93-260-22-50  
 f.(+34) 93-260-22-51

U.S.A.  
 Dropsa Corporation  
 t.(+1) 586-566-1540  
 f.(+1) 586-566-1541

U.K.  
 Dropsa (UK) Ltd  
 t.(+44) 01784-431177  
 f.(+44) 01784-438598

BRAZIL  
 Dropsa  
 t.(+55) 011-563-10007  
 f.(+55) 011-563-19408

GERMANY  
 Dropsa Gmbh  
 t.(+49) 0211-394-011  
 f.(+49) 0211-394-013

AUSTRALIA  
 Dropsa Australia Ltd.  
 t.(+61) 02-9938-6644  
 f.(+61) 02-9938-6611

FRANCE  
 Dropsa Ame  
 t.(+33) 01-3983-0033  
 f.(+33) 01-3986-2636