



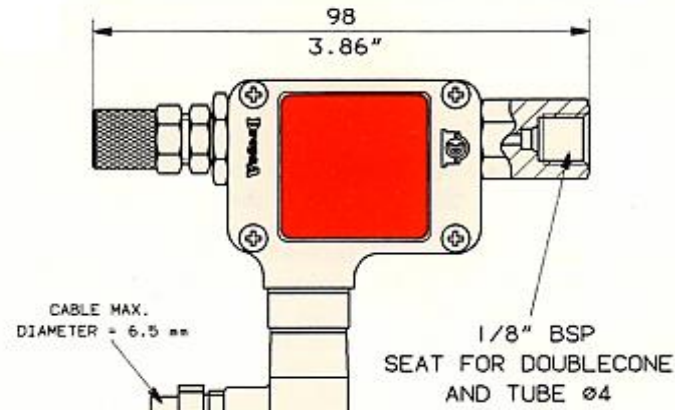
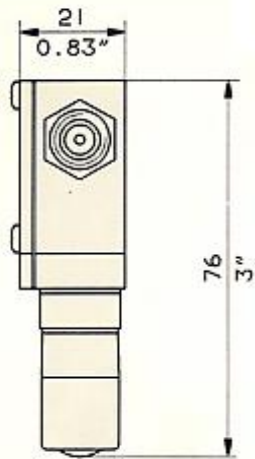
ADJUSTABLE PISTON OPERATING PRESSURE SWITCHES
ADJUSTABLE PRESSURE RANGES 8-26, 15-60, 35-100 BAR
(116-377, 218-870, 508-1451 PSI)



ADJUSTABLE PISTON OPERATING PRESSURE SWITCHES
ADJUSTABLE PRESSURE RANGES 8-26, 15-60, 35-100 BAR
(116-377, 218-870, 508-1451 PSI)

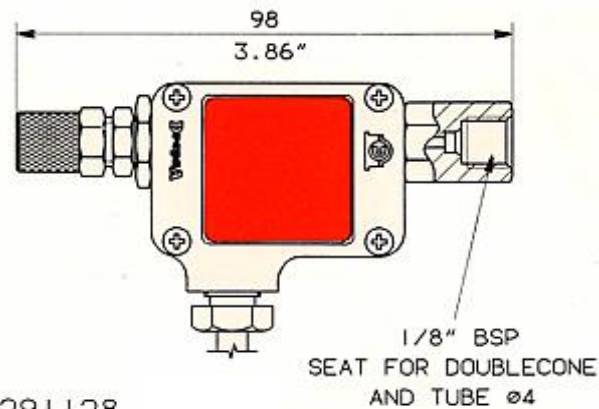
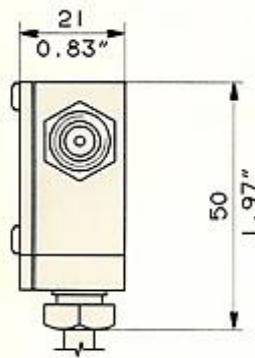


OVERALL DIMENSIONS



3291118
3291119
3291120

DISCONNECTING THE CABLE LOCKING FITTING IT IS POSSIBLE TO CONNECT A PG7 STANDARD FITTING



3291128
3291129
3291130

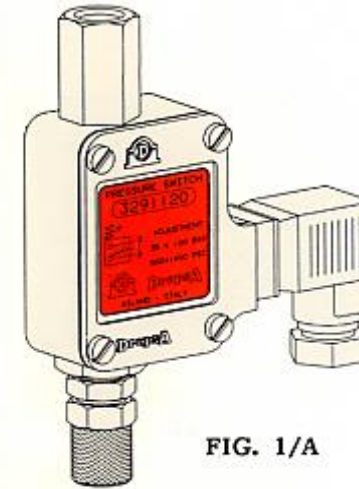


FIG. 1/A

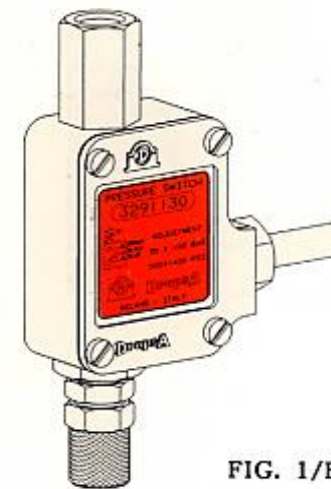


FIG. 1/B

DESCRIPTION

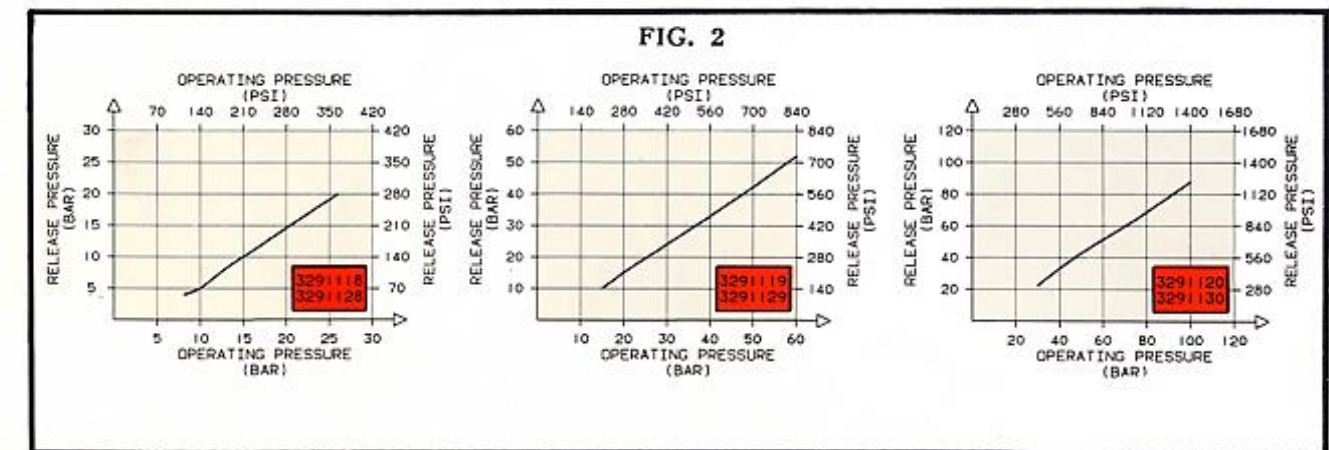
These pressure sensors have been designed for the automatic control of lubrication systems and are available with two different types of electrical fitting connections: 1 moulded connector (see Fig. 1/A); 2 screwed compression and grommet (see Fig. 1/B) complete with 1.5 meters (4.920 in.) of 4 wire cable. Both versions can be supplied to cover the above mentioned pressure ranges (refer to table 1 and Fig. 2).

TECHNICAL DATA

Microswitch contact rating : up to 5 amps 220V CA (AC) or .2 amps 220V CC (DC)
Degree of protection : IP55
Port size (connection) : 1/8" BSP thread (a 1/8" pipe fitting is also available order code 3077075)
Maximum working pressure : 200 bar (2902 psi)
Fixing holes : two 4.2 mm (.165 in.) diameter holes with 40 mm (1.575 in.) pitch.

Table 1

Code	Setting range		Standard setting		Wiring Connection
	bar	psi	bar	psi	
3291118	8-26	116-377	20	290	Moulded Connector
3291119	15-60	218-870	40	580	
3291120	35-100	508-1451	80	1160	
3291128	8-26	116-377	20	290	Screwed connector and grommet
3291129	15-60	218-870	40	580	
3291130	35-100	508-1451	80	1160	



WK 29/04 7177793

ITALIA

Dropsa SpA
t. +39 02-250791
f. +39 02-25079767

CHINA

Dropsa Lubrication Systems (Shanghai) Co., Ltd
t. +86 (021) 67740275
f. +86 (021) 67740205

U.K.

Dropsa (UK) Ltd
t. +44 (0)1784-431177
f. +44 (0)1784-438598

U.S.A.

Dropsa USA Incorporated
t. +1 586-566-1540
f. +1 586-566-1541

GERMANY

Dropsa GmbH
t. +49 (0)211-394-011
f. +49 (0)211-394-013

AUSTRALIA

Dropsa Australia Pty
t. +61 (02)-9938-6644
f. +61 (0)2-9938-6611

FRANCE

Dropsa Ame
t. +33 (0)1-3993-0033
f. +33 (0)1-3986-2636

BRAZIL

Dropsa Do Brasil Ind.e Com.Ltda
t. +55 (0)11-563-10007
f. +55 (0)11-563-19408

The pressure switches can be used on any type of lubrication system. Figure 3 shows an example of this pressure switch fitted on the lube supply line that controls a DROPSA lubrication unit used to supply the lube dosage valves on the machine. When the pressure switch setting is reached the microswitch contact closes. This contact signal can be used to operate external control equipment or send a signal to the electronic control panel of the lubrication system.

PRESSURE SWITCH SETTING IN BAR (PSI)
 ACCORDING TO A

Assembly code	Distance A		
	6 mm (.236 in.)	10 mm (.394 in.) (mark 2)	15 mm (.590 in.) (mark 1)
3291118	26 mm (1.024 in.)	18 mm (.709 in.)	9 mm (.354 in.)
3291128	60 mm (2.362 in.)	40 mm (1.575 in.)	20 mm (.787 in.)
3291129	100 mm (3.937 in.)	65 mm (2.560 in.)	33 mm (1.300 in.)

MOUNTING THE PRESSURE SWITCH

The pressure switch can be mounted on a base plate as follows: loosen the four cover screws (see Fig. 5/A) and remove the cover with the gasket. The 4.2 mm (.165 in.) diameter blind holes lie underneath the cover. The pressure switch is mounted by drilling through the thin aluminium metal of each hole. Install the pressure switch then refit the cover complete with the gasket. Tighten the cover screws.

TABLE 2

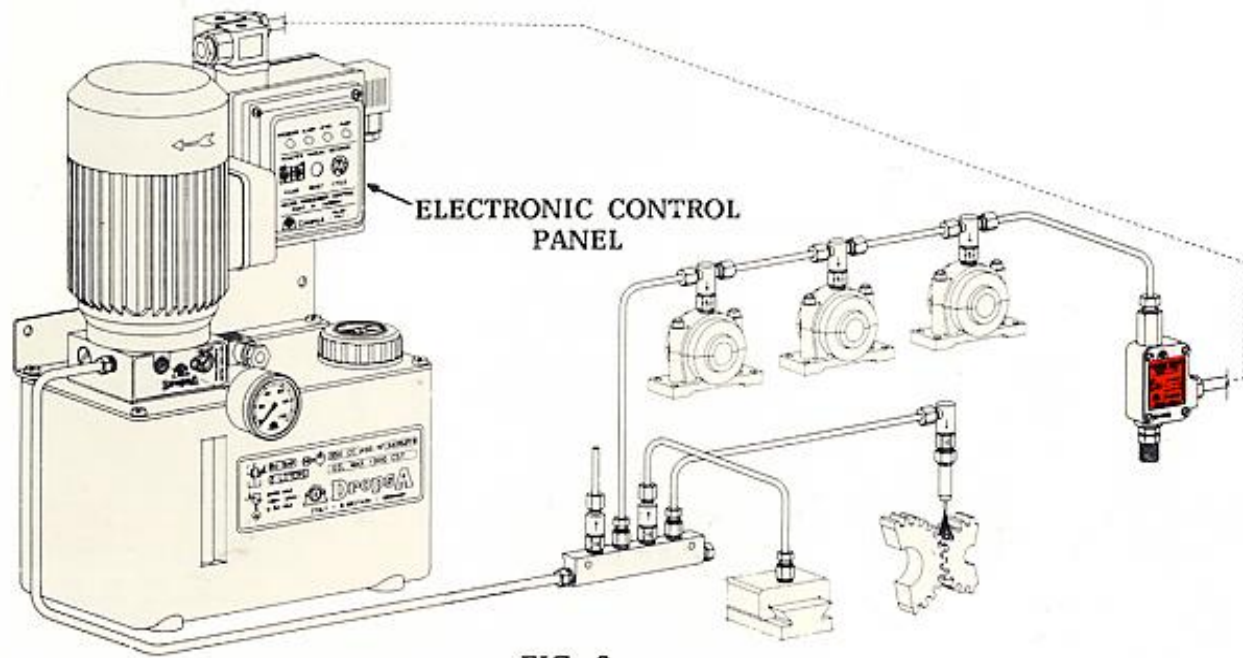
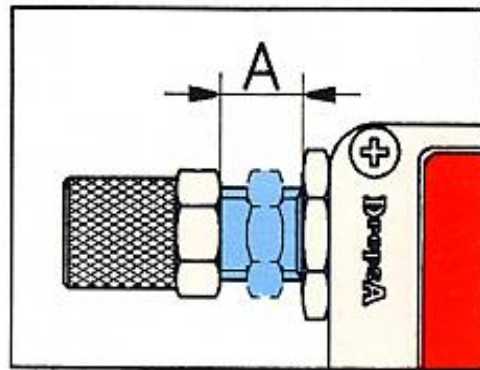


FIG. 3

INSTALLATION

If it is necessary mount the pressure switch as described previous. Connect the pressure switch control pipe to the lube system Fig. 5/A. The pressure switch connection has a double sealing seat to accept 4 mm (.157 in.) pipe with 1/8" BSP female thread. On request a 1/8" NPT connection is available (order code 3077075). For electrical connections make reference to the wiring diagram shown on the tag of the pressure switch cover and on figure 4/A.

Figure 4/B shows how to disassemble the connector (when it is used): extract the fixing screw and then use the screw adjuster to press in the point indicated in the figure and to eject the cover. Pressure switch adjustment is made by loosening the lock nut and turning the knurled regulator knob clockwise to increase the pressure setting and anticlockwise to decrease the pressure setting.

After setting the pressure switch retighten the lock nut. Table 2 illustrates the pressure settings with respect to the position of the knurled regulator knob. The regulator thread has two markings to facilitate the pressure switch setting.

MAINTENANCE

The mechanical and electrical parts used are not subject to extreme mechanical or thermal fatigue. Nevertheless Fig. 5/A, Fig. 5/B and table 3 illustrates the parts which may be subject to wear in time.

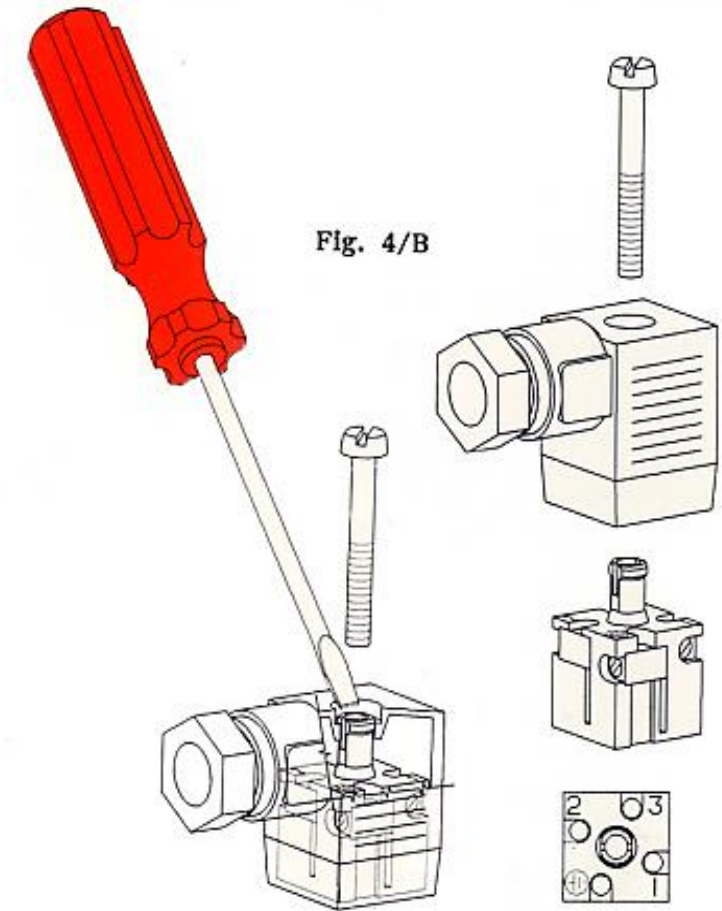


Fig. 4/B

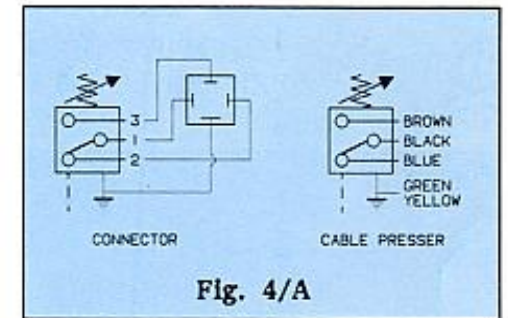
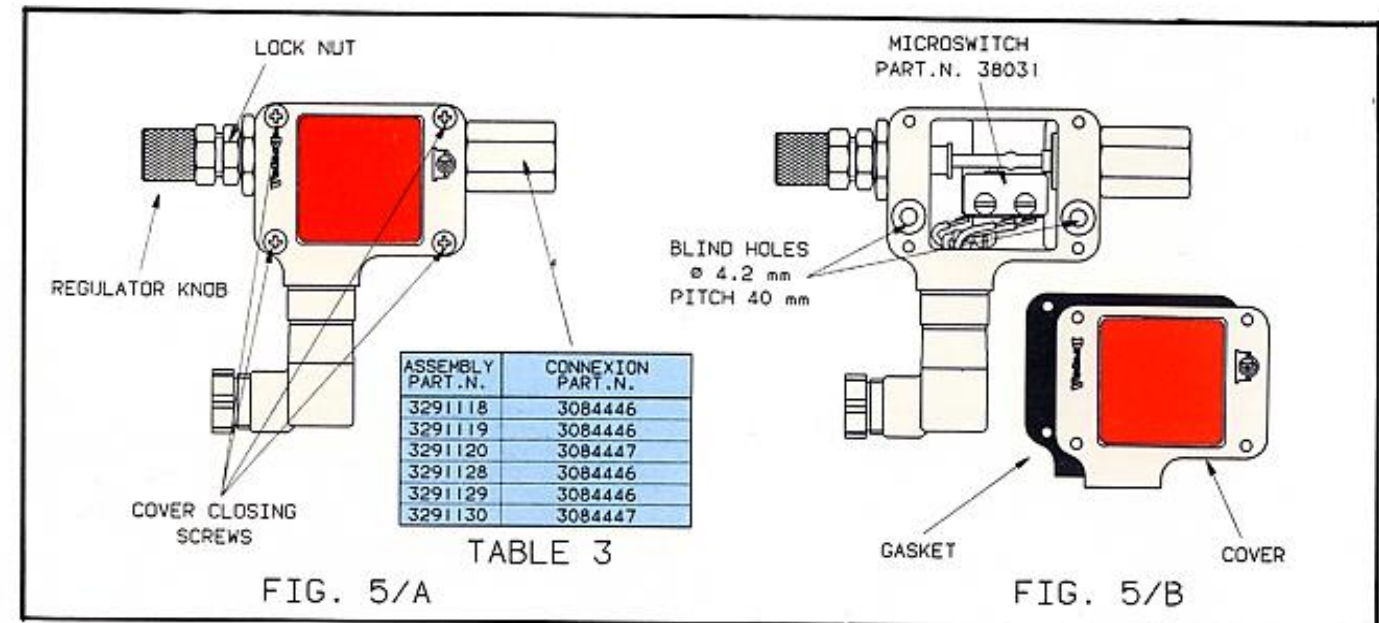


Fig. 4/A



ASSEMBLY PART.N.	CONNEXION PART.N.
3291118	3084446
3291119	3084446
3291120	3084447
3291128	3084446
3291129	3084446
3291130	3084447

TABLE 3

FIG. 5/A

FIG. 5/B