



CHARACTERISTIC

- SINGLE-ACTING PNEUMATIC PUMP;
- PUMP:
2 cm³ PER CYCLE;
- RATIO: 50:1;
- 2KG AND 0.5 KG GREASE RESERVOIR CAPACITY
- MINIMAL LEVEL SENSOR AS STANDARD;
- AIR SUPPLY PRESSURE:
44 ÷ 88 psi (3 ÷ 6 bar);
- GREASE PUMP

A SIMPLE YET VERSATILE PNEUMATIC PUMP

IDEAL FOR USE IN SMALL AND MEDIUM SINGLE-LINE PROGRESSIVE DIVIDER SYSTEMS

LOCOPUMP S3 is an ideal single acting pneumatic pump generally used in single line progressive divider lubrication systems such as nP- nPr, SMX, SMO, SMP or SMPM.

LOCOPUMP S3 is available with 0.5 and 2 kg reservoir with spring loaded follower plate, which means it can easily handle NLGI grade 2 grease.

The transparent reservoir allows the user to clearly see the quantity of grease remaining and a low-level grease switch is present to provide remote alarm signals to the machine it is mounted on.

Additionally, the reservoir lid can be installed with a Dropsa maximum level sensing device.



High Reliability is guaranteed by the use of hardened steel in the construction in all the pumping element components and the pump piston is manufactured in ground-hardened steel.

The front Fill port is also equipped with a filling filter to ensure that only clean lubricant enters the reservoir.

The pump provides a simple but very cost-effective solution for use on many small to mid-range grease lubrication systems and is ideal to be used on machines where compressed air is available.

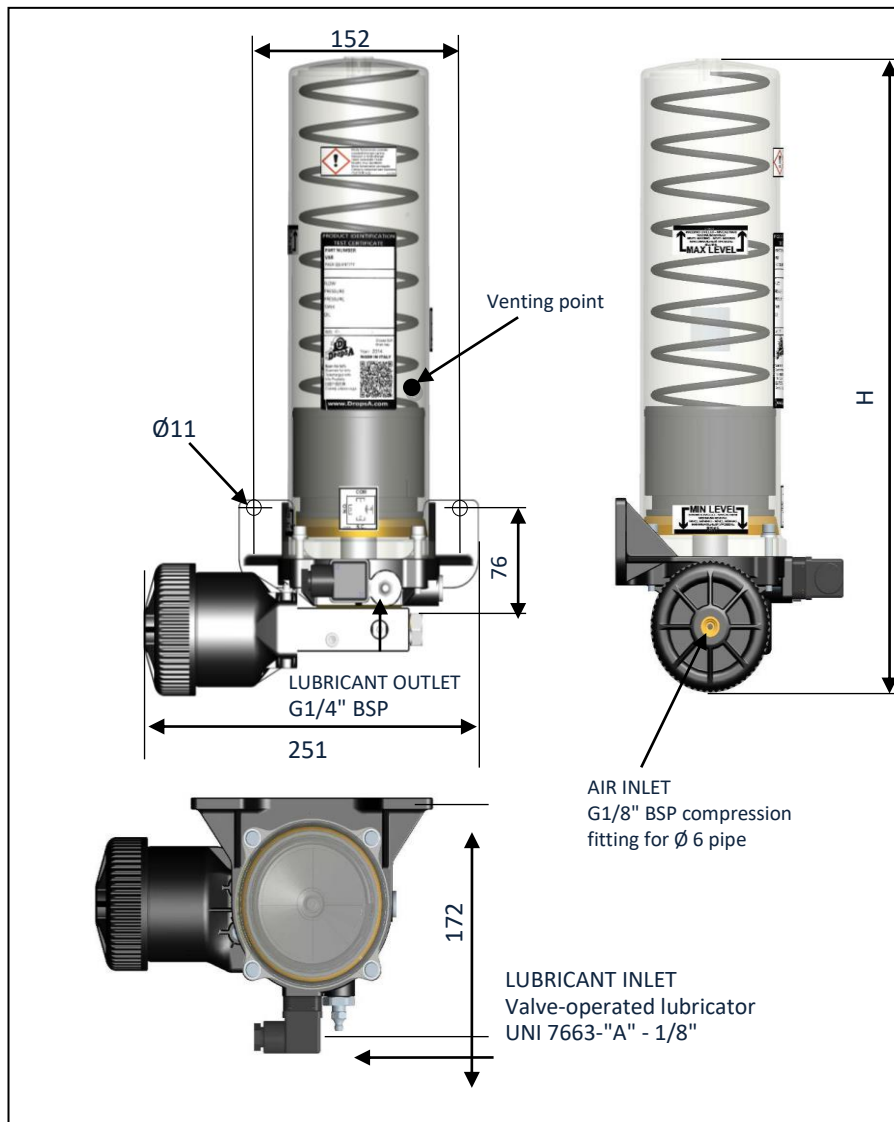
TECHNICAL INFORMATION

TECHNICAL CHARACTERISTICS	
Air pressure	44 ÷ 88 psi (3 ÷ 6 bar)
Compressed air inlet	G 1/8 UNI - ISO 228/1 with cone seating for 6mm tube
Reservoir refilling	Grease nipple with check valve UNI 7663 – "A" – 1/8" NPT
Lubricant outlet	G ¼ UNI – ISO 228/1
Reservoir return	G ¼ UNI – ISO 228/1
Fixed delivery	2 cm ³ / stroke
Adjustment delivery (kit 3133390)	0.5÷2 cm ³ / stroke
Lubricants allowed	Grease max NLGI 2
Piston total stroke	36.5 mm
Working temperature	+5 ÷ +50°C (41 ÷ 122 °F)

APPLICATIONS

- LUBRICATION IN VEHICLES AND MOBILE PLANTS;
- MACHINE TOOLS: SUCH AS MACHINES FOR WORKING SHEET METAL OR WOOD;
- BENDING MACHINES;
- INJECTION PRESSES FOR PLASTICS.

DIMENSIONS (NOT TO SCALE)



ORDER INFORMATION

DESCRIPTION	RESERVOIR	P. No
LOCOPUMP S3 R=50:1	4.4 lb (2 Kg)	3413050
LOCOPUMP S3 R=50:1	1.1 lb (0.5 Kg)	3413060
Preloaded LOCOPUMP S3 R=50:1	4.4 lb (2 Kg)	3413050C

SPARE PARTS

DESCRIPTION	P. No
Tank 4.4 lb (2 Kg)	3044522
1.1 lb (0.5 Kg)	3044525
Fixing plate	3045202
Pump body	3413502
Minimum level sensor	1655183
Refilling filter	0712100
Gasket exchange kit	3133936
Delivery regulation kit	3133390
Pressure gauge	0020604

C2255PE WK 13/22

Dropsa products can be purchased from Dropsa branches and authorized distributors, visit www.dropsa.com/contact or contact us at sales@dropsa.com

Distributor Info: