



DROPSA SPRAY VALVE FOR WHEEL FLANGE LUBRICATION

1132330

PRODUCT DATA SHEET

ENGLISH

1. DESCRIPTION

This pneumatic spray valve is designed to operate as part of a railway rolling stock and track lubrication system.

The use of this system will reduce friction wear on locomotive and carriage wheels by applying a film of grease to the wheel flanges and subsequently to the track when the train is cornering.

The spray valves are fitted above the left and right front and rear wheels of locomotives or motor units. Control of the system is by the trains onboard computer.

Operation of the system takes place within minimum and maximum speed bands and is disabled when the trains brakes are applied. Cornering is detected by an arrangement of light beams and photo-electric cells.

The light beam is directed into the photo-electric cell when the train is travelling in a straight line, when cornering the light beam is broken by the movement of the trains bogey. A signal is then sent to the onboard computer.

Prolonged use of the system will apply a layer of grease to the surface of curved lengths of the track thereby further reducing the incidence of wheel flange wear.



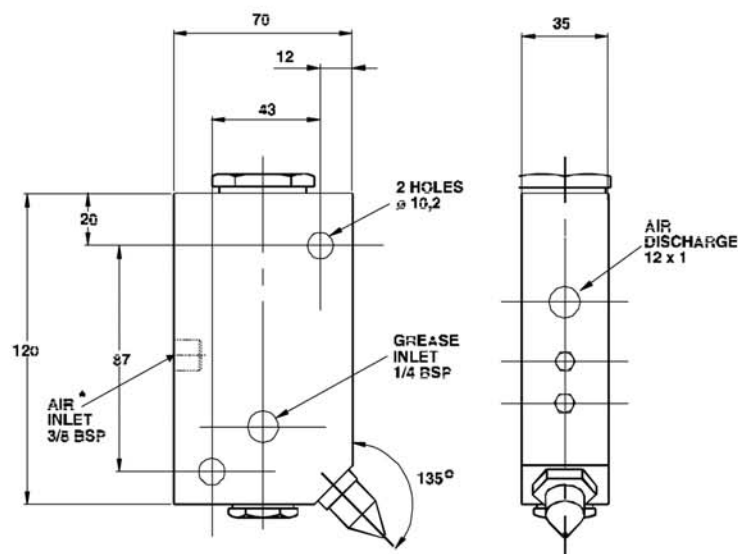
Pressure range: 3 bar min. 12 bar max.

Delivery: 30mm³/stroke.

Lubricant: Grease NLGI 1 max.

2. SPECIFICATION:

2.1. Dimensions:



* RATIO 8:1 AIR PRESSURE 3 BAR MIN. 12 BAR MAX.

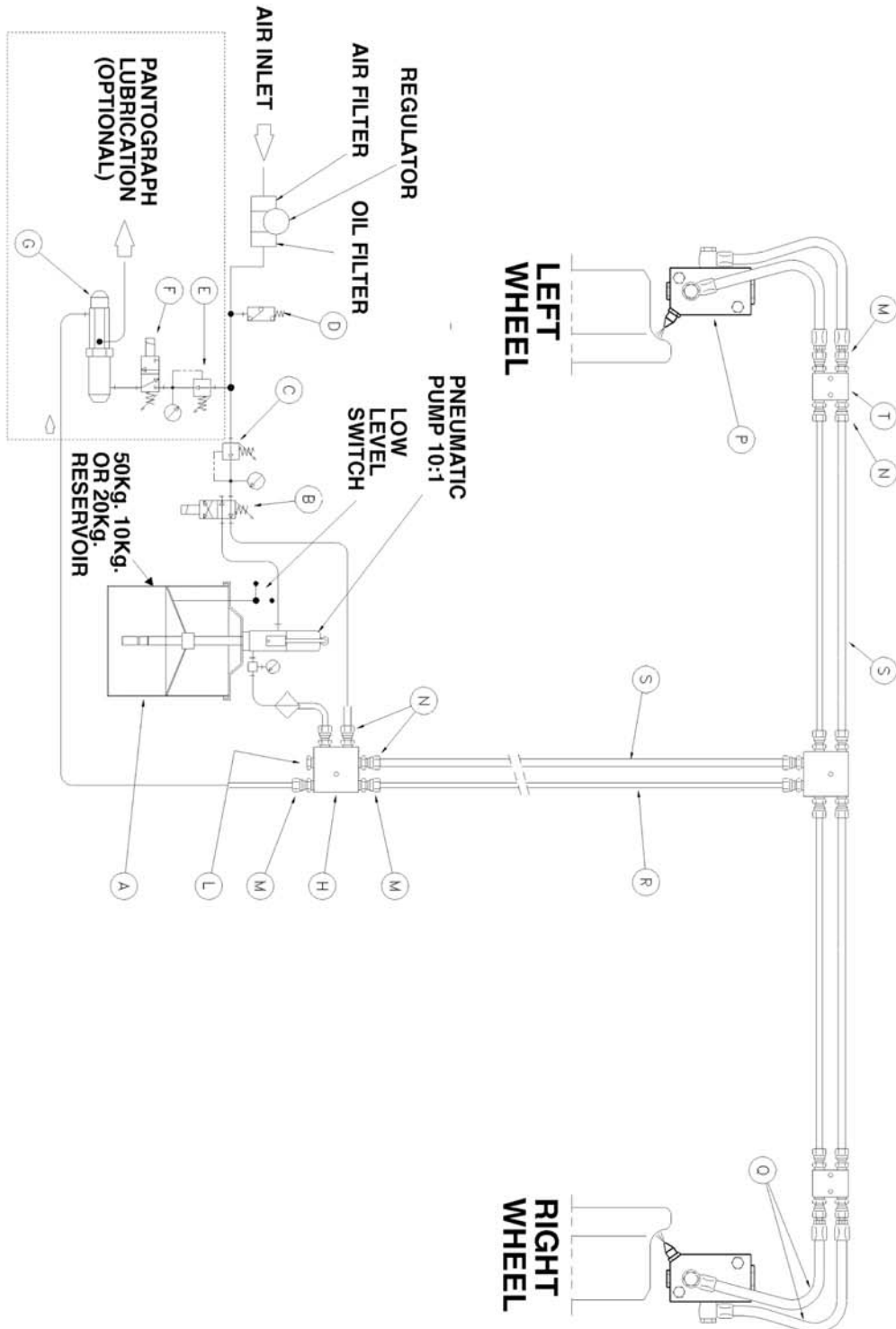
3. ORDERING INFORMATION:

Ordering is by part number:

Dropsa Spray Valve Part No. 1132330

4. RELATED PRODUCTS:

Pneumatic Barrel Pump Part No. 234129 and other system components



KEY TO SYSTEM COMPONENTS:

ITEM	Part No.	DESCRIPTION
A	234129	Pneumatic Pump Ratio 10:1
B	44505	Electronic Valve 4 way 50 -100V dc.
C	20964	Air Pressure Gauge $\frac{3}{8}$ Air
D	3291103	Minimum Pressure Detector 3 - 12 bar (43.5 - 174 psi.)
E*	20961	Air Pressure Gauge $\frac{1}{8}$ Air
F*	44506	Electronic Valve 3-way 50 - 100V dc.
G*	850920	Pneumatic Pump Ratio 26:1 Delivery 0,07 cc.
H	118315	Terminal Block $\frac{1}{4}$ Air
L	926001	Plug $\frac{1}{4}$ Air
M	91960	Connector - Straight $\frac{1}{4}$ Air $\varnothing 8$ tube
N	91969	Connector - Straight $\frac{1}{4}$ Air $\varnothing 10$ tube
P	1132330	Dropsa Spray Valve, Delivery 30mm ³ /stroke.
Q	Consists of the following:	
	3084410	Collar $\frac{1}{4}$ Air
	3084409	Socket
	3084385	Tube $\varnothing 8$
	3362023	Flexible Hose $\frac{1}{4}$ S40 l = 80cm.
R	5119813	Pipe $\varnothing 8$ x 1
S	5119808	Pipe $\varnothing 10$ x 1
T	118394	Terminal Block - Straight $\frac{1}{4}$ Air

* Used for pantograph lubrication only (optional).

Pneumatic Barrel Pump for Oil or Grease **Part No. 234129**

Plus:

Cover for 20 Kilo drums **Part No. 114550**

Follower Plate for 20 Kilo drums **Part No. 1141132**

A pneumatic pump of robust construction which will deliver 400 grams of grease a minute at a pressure of 10 bar (145 psi.) when operated at a temperature of 20°C.

Filter 25 micron. **Part No. 234063**





AN ISO 9001 APPROVED COMPANY

ITALY
Dropsa SpA
t.(+39) 02-250791
f.(+39) 02-25079767

SPAIN
Polydrop, S.A.
t.(+34) 93-260-22-50
f.(+34) 93-260-22-51

U.S.A.
Dropsa Corporation
t.(+1) 586-566-1540
f.(+1) 586-566-1541

U.K.
Dropsa (UK) Ltd
t.(+44) 01784-431177
f.(+44) 01784-438598

BRAZIL
Dropsa
t.(+55) 011-563-10007
f.(+55) 011-563-19408

GERMANY
Dropsa GmbH
t.(+49) 0211-394-011
f.(+49) 0211-394-013

AUSTRALIA
Dropsa Australia Ltd.
t.(+61) 02-9938-6644
f.(+61) 02-9938-6611

FRANCE
Dropsa Ame
t.(+33) 01-3993-0033
f.(+33) 01-3986-2636

© Copyright Dropsa - all rights reserved. Reproduction of any part of this document is strictly forbidden without prior consent from Dropsa. Dropsa reserve the right to withdraw or modify specifications without prior notice.