

CHARACTERISTICS

- **MODULAR BASE:**
QUICK AND EASY REPLACEMENT OF THE VALVE
- **BSP AND NPT BASES:**
WORK WITH ALL VALVE MODULES
- **WORKING PRESSURE:**
60÷300 BAR
870÷5431PSI

ADVANTAGES

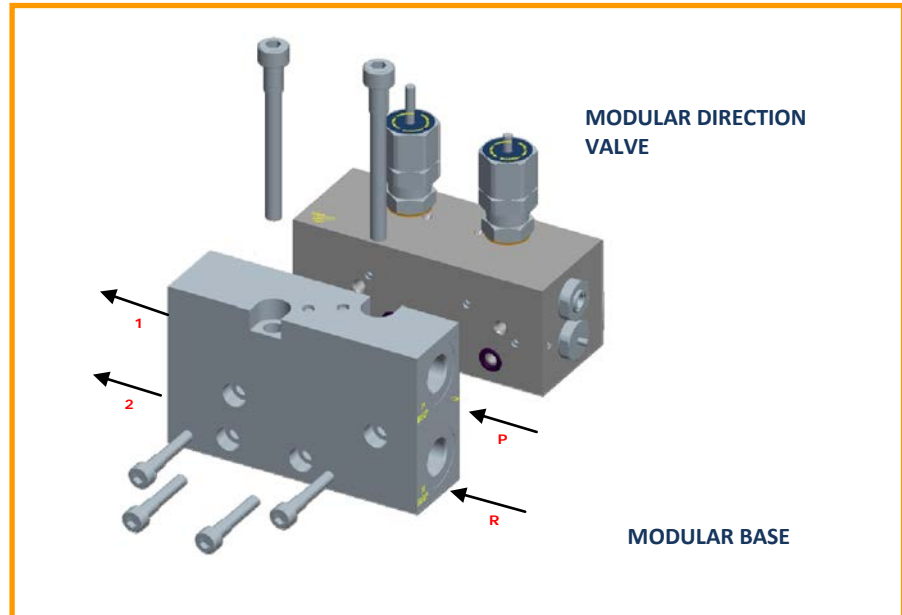
- **MODULAR BASE:**
MEANS FAST MAINTENANCE,
MINIMUM DOWNTIME AND
LESS CONTAMINATION

APPLICATIONS

- **DUAL LINE:** INVERSION OF DUAL LINE SYSTEMS
- **PROGRESSIVE AND ZONED SYSTEMS:** BY PLUGGING PORT 1 OR 2. THE VALVE CAN BE USED FOR ZONE COMPLEX CIRCUITS
- **GREASE APPLICATIONS:** PARTICULARLY SUITED FOR GREASE, IT CAN BE APPLIED TO ANY CIRCUIT REQUIRING A 4/2 VALVE

HYDRAULIC MODULAR DIRECTIONAL VALVE (4/2)

A modular directional valve for oil and grease in Dual Line and hydraulic systems for pressure 60÷300 bar (870÷5431 psi).

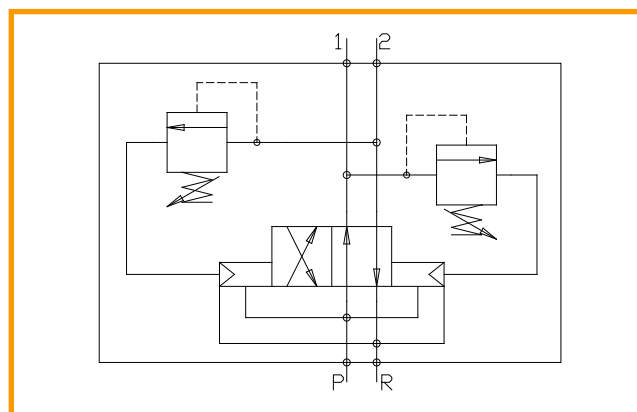


MODULAR BASE, THE INNOVATIVE SOLUTION

The Modular Directional Valve (4/2) is a completely new valve which has been designed to satisfy a wide range of requirements.

The key feature is the Modular base which has all hydraulic connections.

This means fast and easy replacement in the field without disturbing pipework and minimizing downtime. Untouched pipework avoids the risk of contaminating circuit.

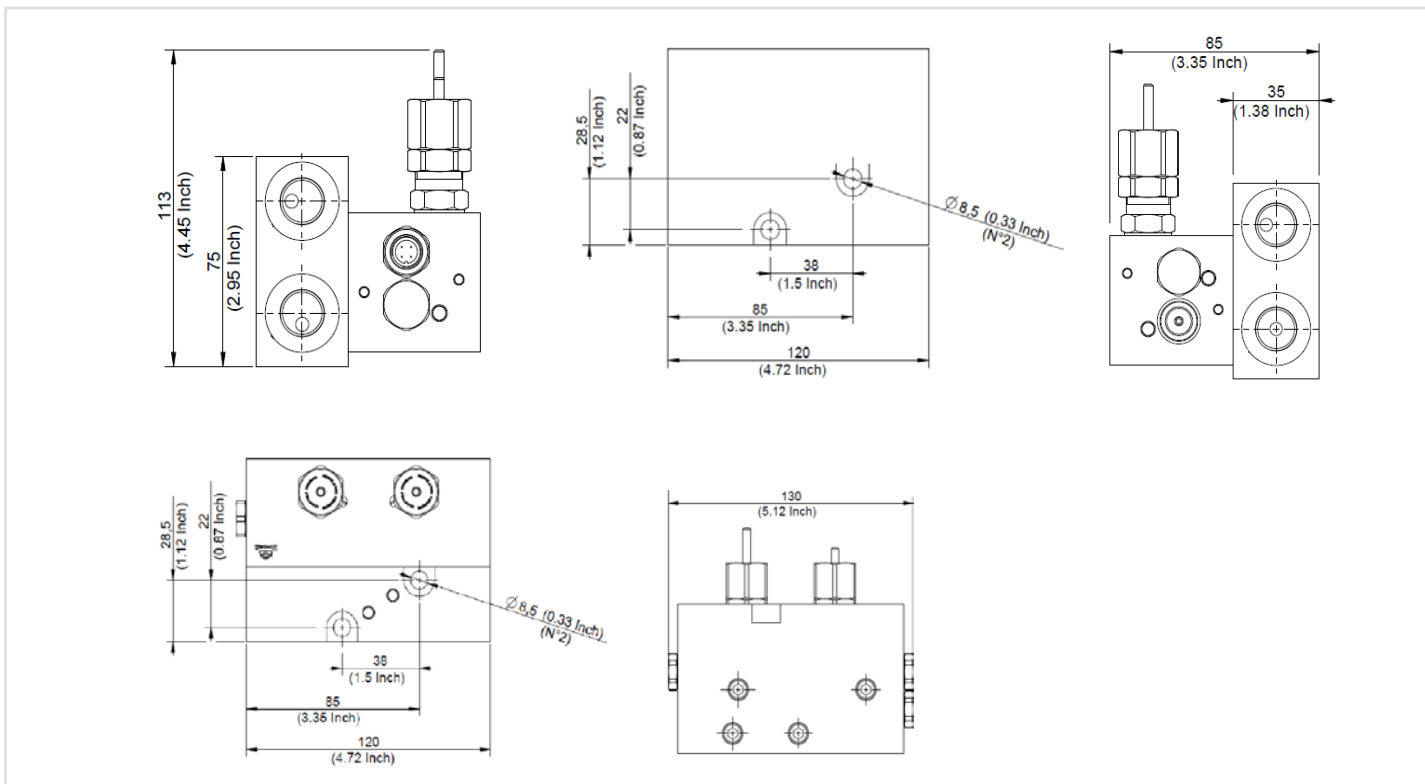


HYDRAULIC SCHEME

TECHNICAL INFORMATION

TECHNICAL CHARACTERISTICS	
Max delivery (Max grease Viscosity NLGI 2)	300 cm ³ /min.
Working pressure (Adjustable)	60÷300 bar (870÷5431 psi)
Lubricants	Oil min. 32 cSt max. 1000 cSt Grease max. NLGI 2
Lubricant connections (R - P - 1 - 2)	3/8" BSP 3/8" NPT
Protection grade	IP55
Working temperature	-20° C ÷ + 50° C (-4° ÷ +122° F)
Working Humidity	90°max.
Weight	4.7 Kg (10.4 lb)

DIMENSIONS



ORDERING INFORMATION

1. MODULAR DIRECTIONAL VALVE (BASE NOT INCLUDED)		
ITEM	DESCRIPTION	PART NUMBER
HYDRAULIC INVERTER	Hydraulic inverter 4/2 60÷300 bar without sensor	0086401



2. MODULAR BASE		
ITEM	DESCRIPTION	PART NUMBER
MODULAR BASE	3/8" BSP	3072628
	3/8" NPT	3072638

SPARE PARTS/OPTIONL		
ITEM	DESCRIPTION	PART NUMBER
O-RINGS	Seal O-Ring between valve and base (No. 4)	0018908
GASKET	Gasket fitting pressure regulator	0156029

sales@dropsa.com
www.dropsa.com

ITALIA
Dropsa SpA
t. +39 02-250791
f. +39 02-25079767
U.S.A.
Dropsa Corporation
t. +1 586-566-1540
f. +1 586-566-1541

U.K.
Dropsa (UK) Ltd
t. +44 (0)1784-431177
f. +44 (0)1784-438598
AUSTRALIA
Dropsa Australia Ltd.
t. +61 (02)-9938-6644
f. +61 (02)-9938-6611

GERMANY
Dropsa GmbH
t. +49 (0)211-394-011
f. +49 (0)211-394-013
BRAZIL
Dropsa Brasil Ind.e Com.Ltda
t. +55 (0)11-563-10007
f. +55 (0)11-563-19408

FRANCE
Dropsa Ame
t. +33 (0)1-3993-0033
f. +33 (0)1-3986-2636
CHINA
Dropsa Lubrication Systems (Shanghai) Co., Ltd
t. +86 (021) 67740275
f. +86 (021) 67740205