



**5- and 10- KG PRESSURIZED GREASE RESERVOIRS SUITABLE FOR "SERIAL", "ACCUMO" AND "DUAL LINE" LUBRICATING SYSTEMS INSTRUCTION SHEET**

3044125  
3044126

5-kg Reservoir – Part. No. 3044125  
10-kg Reservoir – Part. No. 3044126

Registered

**DESCRIPTION**

This new type of reservoir has been specifically designed to obviate all the difficulties that are normally associated with the use of contaminated, non-deaerated greases with low penetration indexes.

It consists of a ground cylinder, a piston with a double seal gasket, a level-gauge rod, an electric minimum-level indicator, a relief valve and a pump-mounting flange complete with filter and filler valve.

These reservoirs may be installed on several types of grease pumps in ACCUMO, SERIAL or DUAL-LINE systems through appropriate connecting flanges.

**FILLING**

As a rule, a filling pump should be used, employing a grease having a 250 ASTM penetration index or higher, under a 2 bar. pressure and a work temperature in the -30° to +80°C range.

When the reservoir is filled for the first time, the air bleeder screw A should be loosened after the appropriate pressure has been established in the reservoir.

As the red mark becomes visible on the gauge rod B, the reservoir is full. Should more grease be forced in, it would emerge from the relief valve C, which is set to open under a 6 bar. pressure.

No pressurizing air should be bled during subsequent fillings.

**MINIMUM LEVEL**

This is indicated when the green mark is no longer visible on the gauge rod D.

The minimum level is likewise signalled by the electric limit switch E.

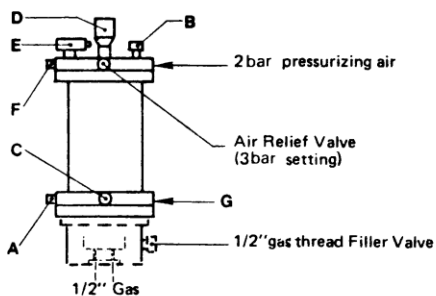
When the minimum level is reached, there are still 500 grams of grease in the reservoir.

**MAXIMUM LEVEL**

This is indicated when the red mark appears on gauge rod D. A microswitch (Part.No.3164113) with its own mount (Part.No. 3050045) is available on request for electric maximum-level signalling.

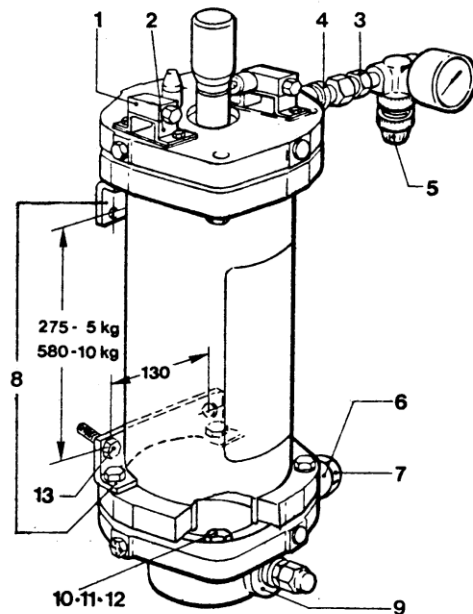
**NOTE** - Filling the reservoir manually is NOT recommended. Should manual filling be required in an emergency, proceed as follows:

- loosen bleeder screw F to let off the pressure
- pump in low-pressure air through G until the red mark on rod B becomes visible (pressure plate in its uppermost position)
- bleed off air through G, remove the upper flanges and take out the pressure plate
- fill the reservoir with grease, stirring thoroughly to prevent air bubble formation - then re - assemble with care.



**SPECIFICATIONS**

- Air feeding pressure: 2 bar (use purified, lubricated air if at all possible)
- Air relief valve setting: 3bar
- Grease relief valve setting: 6 bar
- Sealed microswitches
- Cast light alloy heads
- Flange with 1/2" gas thread bottom hole complete with 200-micron metal mesh strainer and 1/2" male gas thread reservoir-filler fitting.



**ACCESSORIES**

Ref.	Description	Part.No.
1	Microswitch, max. level warning, sealed	3164113
2	Support for 1	3050045
3	1/4" gas thread Nipple	3076982
4	1/4" gas thread quick coupling	919024
5	1/4" gas thread pressure Regulator	3294105
6	1/4" gas thread quick coupling	919024
7	1/4" gas thread Plug	926001
8	2 Wall Mtg. Brackets (130x275 mm hole centers for 5-Kg reservoirs - 130x580-mm hole centers for 10-Kg reservoirs)	3049131
9	Flange with bottom fitting hole with 1/2" gas thread equipped with 200-micron mesh metal strainer and 1/2" male gas thread reservoir-filler fitting	3045058
10	4 M6x30 Screws	3230903
11	4 adapter Bushes	3008154
12	4 gaskets	158015
13	4 M10x20 hex.head wall-mtg. Screws	11417

Web site:  
<http://www.dropsa.com>

E-mail:  
[sales@dropsa.com](mailto:sales@dropsa.com)

WK 07/83  
7175013

**ITALIA**  
Dropsa SpA  
t. +39 02-250791  
f.+39 02-25079767

**CHINA**  
Dropsa Lubrication Systems  
(Shanghai) Co., Ltd  
t. +86 (021) 67740275  
f. +86 (021) 67740205

**U.K.**  
Dropsa (UK) Ltd  
t. +44 (0)1784-431177  
f. +44 (0)1784-438598

**U.S.A.**  
Dropsa USA Incorporated  
t. +1 586-566-1540  
f. +1 586-566-1541

**GERMANY**  
Dropsa GmbH  
t. +49 (0)211-394-011  
f. +49 (0)211-394-013

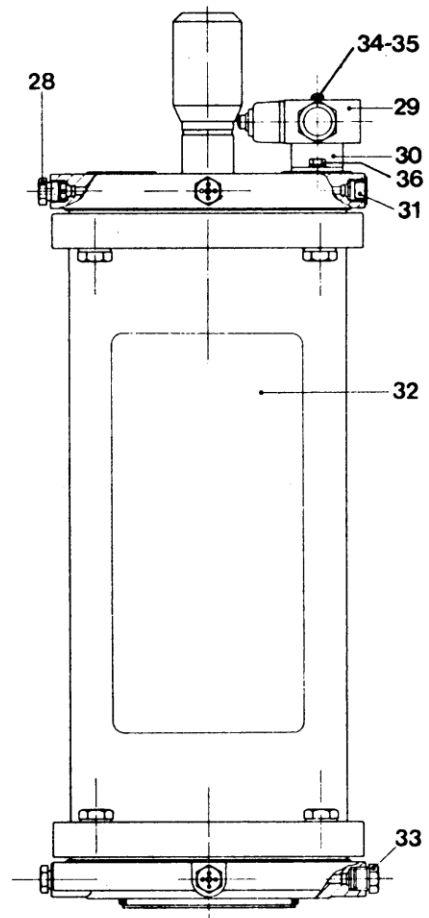
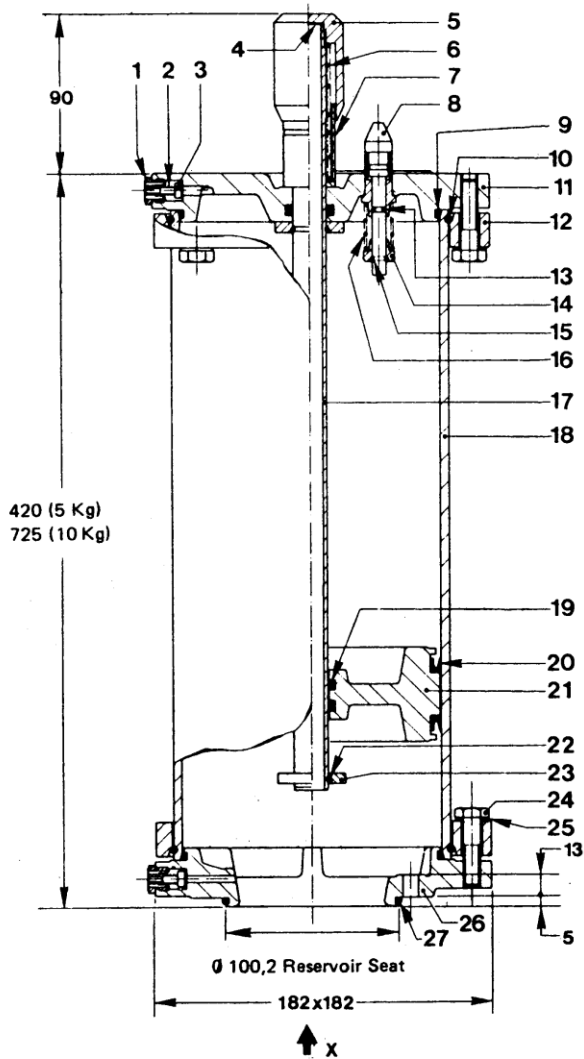
**AUSTRALIA**  
Dropsa Australia Pty  
t. +61 (02)-9938-6644  
f. +61 (02)-9938-6611

**FRANCE**  
Dropsa Ame  
t. +33 (0)1-3993-0033  
f. +33 (0)1-3986-2636

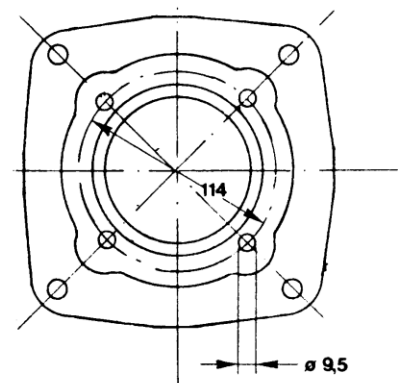
**BRAZIL**  
Dropsa Do Brasil Ind.e  
Com.Ltda  
t. +55 (0)11-563-10007  
f. +55 (0)11-563-19408

3044125  
3044126

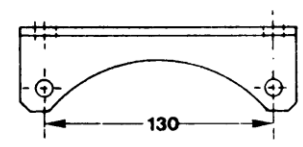
5- and 10-KG PRESSURIZED GREASE RESERVOIRS SUITABLE  
FOR "SERIAL", "ACCUMO" AND "DUAL LINE"  
LUBRICATING SYSTEMS INSTRUCTION SHEET



Bottom Flange Holes  
As viewed from X



Mounting Bracket



Ref.	Description	Part. No.	Q.ty
1	1/4" gas thread plug	3234093	2
2	Spring	3191155	2
3	Rod with gasket	3002071	2
4	Aluminum Gasket	125021	1
5	Bush	3008156	1
6	Spring	3191148	1
7	Bush	3008155	1
8	Level Gauge Rod	3002069	1
9	Gaco-OR Gasket	61245	2
10	Elastic Retainer Ring	3005124	2
11	Top Flange	3045055	1
12	Counter-Flange	3045057	2
13	Gaco-OR Gasket	19103	1
14	Bush	3008152	1
15	Ring	60954	1
16	Spring	3191147	1
17	Guide Rod — 5-kg reservoirs	3002072	1
	Guide Rod — 10-kg reservoirs	3002073	1
18	Cylinder — 5-kg reservoirs	3113117	1
	Cylinder — 10-kg reservoirs	3113118	1

Ref.	Description	Part. No.	Q.ty
19	Gasket	3190186	3
20	Gaco Gasket	53258	2
21	Pressure Plate	3131106	1
22	Split Ring	60960	2
23	Ring	3005123	2
24	Hex. head Screw	3230940	8
25	Washer	16086	8
26	Bottom Flange	3045056	1
27	Parker Gasket	3190185	1
28	1/4" gas thread air bleeder Screw	3230992	2
29	Microswitch	3164113	1
30	Microswitch Mount	3050045	1
31	1/4" gas thread protec- tion Plug	3234156	1
32	Italian Nameplate	3310254	1
33	1/4" taper gas thread Plug	926001	1
34	Cyl. head M4 x40screw	12515	2
35	Washer spring 4.3	16006	2
36	Counter sunk M5 x16screw	13527	2