

## CHARACTERISTICS

- **AUTO-ADAPTIVE SYSTEM, FOR AUTO-REGULATION OF THE MICRO-OIL MIST TO HAVE ALWAYS THE BEST AEROSOL QUALITY.**
- **MINIMUM LEVEL AS STANDARD**
- **QUICK AND EASY INSTALLATION, FEW HOURS NEEDED TO INSTALL ON EXISTING MACHINES.**

## ADVANTAGES

- **REDUCE YOUR CYCLE TIME**
- **INCREASE TOOL LIFE: THE AEROSOL MIXTURE PREVENT MACHINE TOOL OVERHEATING.**
- **BETTER SURFACE FINISH: THANKS TO THE MOST COMPLETE AND FITTEST LUBRICATION THROUGH THE MACHINE TOOL.**
- **REDUCED INITIAL INVESTMENT: NO HIGH PRESSURE OR LOW PRESSURE COOLANT TANKS AND PUMP. NO COOLANT FILTRATION**

## APPLICATIONS

- **NEAR DRY-WORKING ON MACHINE TOOL**
- **HIGH-SPEED MILLING APPLICATIONS**
- **APPLICATIONS ON CNC MACHINES.**

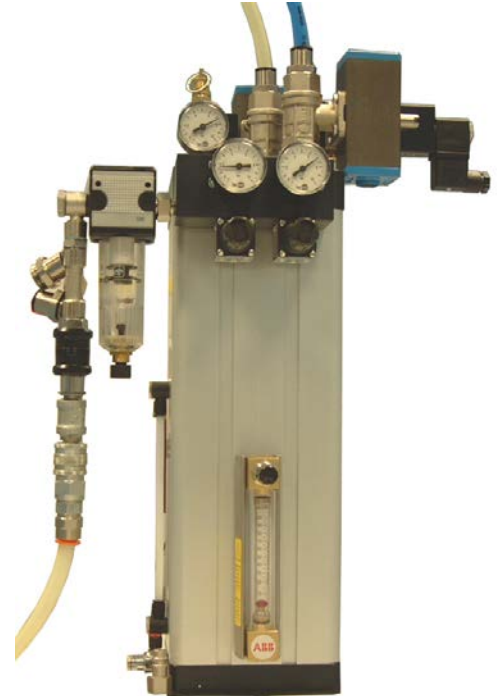
## MKD-DUAL

### THE NEW DIMENSION FOR INTERNAL MINIMAL QUANTITY LUBRICATION IN DRY-WORKING APPLICATIONS

#### More productivity with MKD-Dual

The MKD-Dual minimal lubrication system represents the solution for internal lubrication dry machining. MKD-Dual generates a thin film of aerosol that is brought directly to the tool cutting point using the existing tool-internal distribution channels.

**Increase of productivity and machine tool lifetime** are the results that you can immediately touch by using MKD-Dual.



#### COSTS REDUCTION ALSO FOR EXISTING MACHINES

MKD-Dual is easy to install also on machines that are already working; **the installation need maximum one day of downtime.**

The costs reduction is evident immediately after the installation. In fact there is no more need of high pressure tools and coolant filtration systems. It is also no more necessary to proceed to the fluid disposal with evident benefit also for the environment.

### AUTO-ADAPTIVE SYSTEM

The auto-regulation is one of the key characteristics of MKD-Dual you will not find on other aerosol generators for near dry machining. Dual Venturi based aerosol generator will automatically compensate when going from one size of tool to another avoiding the deterioration of the aerosol quality that is found when varying the linear velocity of air through the Venturi.

MKD-Dual therefore optimizes the process through an automatic adjustment of the micro-oil mist depending on the air flow – this means best aerosol quality throughout the different sizes of cutting tool and a considerable time saving on initial setup (no complex regulation).

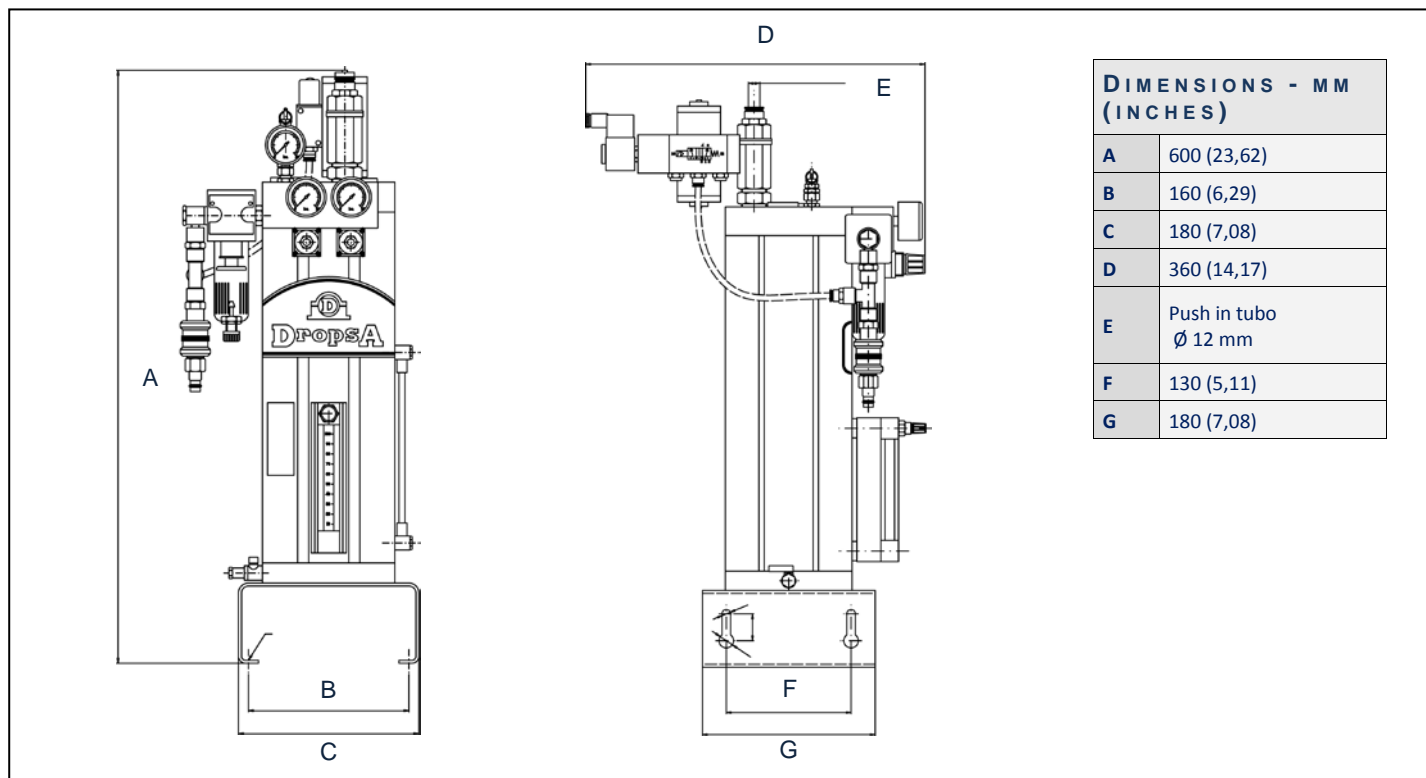
MKD-Dual has been designed mainly for mid-high range applications– this sophisticated technology of generating an ultra thin aerosol with sub micron particle size allows the mixture to flow through the spindle during rotation at high speeds minimizing the effects of centrifugal force on the aerosol avoiding deterioration.

***The MKD-Dual unit is provided with two outlets which can be supplied with electro-pneumatically controlled ball valves.***

## TECHNICAL INFORMATION

| TECHNICAL CHARACTERISTICS                  |                                |
|--|--------------------------------|
| Air supply                                 | Max 6 Bar (88.2 psi)           |
| Air inlet pipe                             | Ø6 ÷ 10 mm<br>(0.23 ÷ 0.4 in.) |
| Aerosol Outlet                             | Ø10 ÷ 16 mm<br>(0.4 ÷ 0.6 in.) |
| Reservoir Capacity                         | 1,8 Litres (0,40 galls)        |
| Electro-pneumatic ball valve input voltage | 24VDC 200mA                    |

### DIMENSIONS (NOT TO SCALE)



### ORDERING INFORMATION

| Description   | Part No |                       | Q.ty  |
|---|---------|-----------------------|-------|
| MKD- Dual with minimum level and with electro-valve | 3135086 | <input type="radio"/> | _____ |
| MKD- Dual with minimum level, without electro-valve | 3135088 | <input type="radio"/> | _____ |

| CONSUMABLE |  | Description            | Part No |                       | Q.ty  |
|------------|--|------------------------|---------|-----------------------|-------|
|            |  | MK 150 Oil 25 lt       | 3226664 | <input type="radio"/> | _____ |
|            |  | MK 100 Oil 25 lt.      | 3226665 | <input type="radio"/> | _____ |
|            |  | MK Stainless Oil 20 lt | 3225465 | <input type="radio"/> | _____ |
|            |  | MK Stainless Oil 20 lt | 3225465 | <input type="radio"/> | _____ |

| ACCESSORIES |  | Description               | Part No |                       | Q.ty  |
|-------------|--|---------------------------|---------|-----------------------|-------|
|             |  | Electro-valve             | 3155187 | <input type="radio"/> | _____ |
|             |  | Pressure adjustment valve | 3155270 | <input type="radio"/> | _____ |
|             |  | Pressure gauge 0-10 bar   | 0020691 | <input type="radio"/> | _____ |

Info Distributor: