

## IPG PUMP KITS 20-70



## IPG PUMP KITS 3134594

Kit pump lift, hoist and follower plate for grease for drums 180-220 kg with pump R=20:1 Delivery 12 kg/min

Composed by:

1527152	Pump lift and hoist 2 columns + follower plate
0400705	Industrial air- operated pump R=20:1
1527027	Rubber hose R6 3/8" length 1,5 m F-F 3/8"
1527028	Rubber hose R6 1/2" length 1,5 m F-F 1/2"

## IPG PUMP KITS 3134595

Kit pump lift, hoist and follower plate for grease for drums 180-220 kg with pump R=40:1 Delivery 10 kg/min

Composed by:

1527152	Pump lift and hoist 2 columns + follower plate
0400712	Industrial air- operated pump R=40:1
1527027	Rubber hose R6 3/8" length 1,5 m F-F 3/8"
1527028	Rubber hose R6 1/2" length 1,5 m F-F 1/2"

## IPG PUMP KITS 3134596

Kit pump lift, hoist and follower plate for grease for drums 180-220 kg with pump R=50:1 Delivery 6,8 kg/min

Composed by:

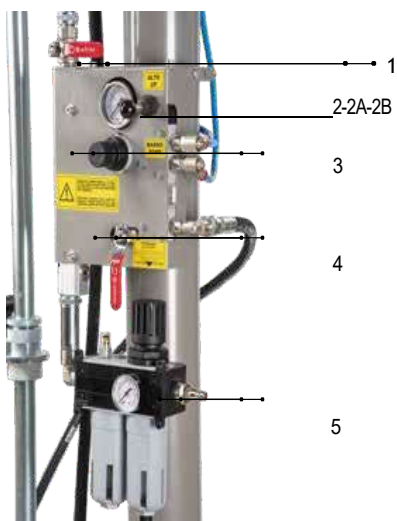
3134589	Pump lift and hoist 2 columns + follower plate
0234846	Industrial air-operated pump R=50:1
1527027	Rubber hose R6 3/8" length 1,5 m F-F 3/8"
1527028	Rubber hose R6 1/2" length 1,5 m F-F 1/2"

## IPG PUMP KITS 3134597

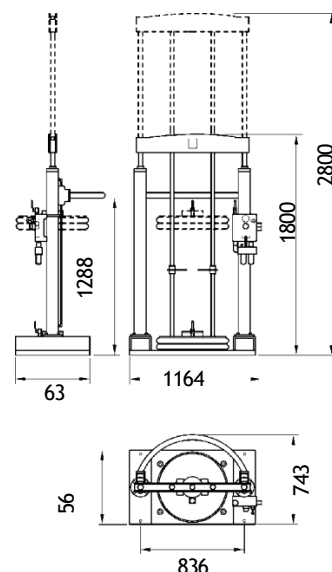
Kit pump lift, hoist and follower plate for grease for drums 180-220 kg with pump R=70:1 Delivery 6,0kg/min

Composed by:

3134589	Pump lift and hoist 2 columns + follower plate
0234847	Industrial air-operated pump R=70:1
1527027	Rubber hose R6 3/8" length 1,5 m F-F 3/8"
1527028	Rubber hose R6 1/2" length 1,5 m F-F 1/2"



- 1 Cock for pump air supply
- 2 Off position
  - 2A Up position to lift the pump and follower plate
  - 2B Down position to activate the press-fluid
- 3 Pressure regulator with manometer for air supply of the lifter
- 4 Cock for air supply to lift the follower plate
- 5 Inlet general air supply into filter and lubricator



**IPG PUMP KITS 3134588**

Pump lift and hoist for drums 180-220 kg  
Equipped with follower plate for grease pumps with shank  $\varnothing$  30 mm

**IPG PUMP KITS 3134589**

Pump lift and hoist for drums 180-220 kg  
Equipped with follower plate for grease pumps with shank  $\varnothing$  45 mm

**IPG PUMP KITS 1527152**

Pump lift and hoist for drums 180-220 kg  
Equipped with follower plate for grease pumps with shank  $\varnothing$  50 mm

**IPG PUMP KITS 1527153**

Pump lift and hoist for drums 180-220 kg  
Equipped with follower plate for grease pumps with shank F 2" G



GENERAL TECHNICAL FEATURES					
Maximum height	Minimum height	Maximum pressure	Pushing power	For drums	Viscosity
2802 mm	1802 mm	8 bar	4bar - 450 kg	180 - 220 kg	200 - 500 ASTM (25°C)
			6bar - 650 kg		
			8bar - 870 kg		

Air-operated two columns pump lift and hoist for grease and viscous medias.  
With its particular 3 ways control valve, it lifts or pulls down the pump and the follower plate, improving the exchanging effort of 180-220 kg (400 lbs) drums.  
It is particularly advised for the use with high viscosity grease and medias (from 200CPS to 500ASTM).  
The follower plate is pushed down by the pressurized pneumatic cylinders, avoiding grease flow interruptions by air pockets in the grease bed.  
Moreover, it allows to collect all the grease from the inner walls down to the bottom of the drum, Pump suction is assisted.

**IPG PUMP KITS 3134590**

Aluminum follower plate with rubber double ring  $\varnothing$  585 mm for drums 180-220 kg with adaptor flange for  $\varnothing$  30 mm shank.

**IPG PUMP KITS 3134591**

Aluminum follower plate with rubber double ring  $\varnothing$  585 mm for drums 180-220 kg with adaptor flange for  $\varnothing$  45 mm shank.

**IPG PUMP KITS 3134592**

Aluminum follower plate with rubber double ring  $\varnothing$  585 mm for drums 180-220 kg with adaptor flange for  $\varnothing$  50 mm shank.

**IPG PUMP KITS 3134593**

Aluminum follower plate with rubber double ring  $\varnothing$  585 mm for drums 180-220 kg with adaptor flange for F 2" G shank.  
Aluminum casted follower plate for grease and viscous materials with rubber double ring  $\varnothing$  585 mm for drums 180-220 kg suitable for air-operated grease pumps.  
Equipped with ball valve, release valve and flange adaptor.

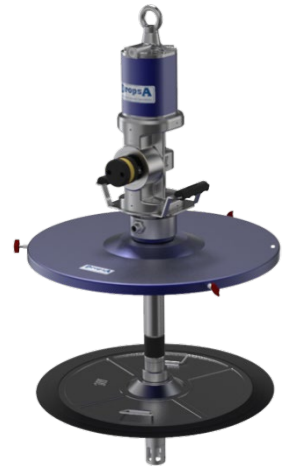
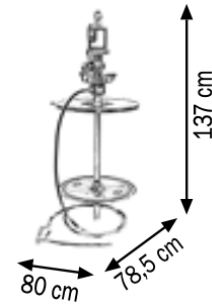


**IPG PUMP KITS 3134598**

KIT PNEU GREASE PUMP R50 180-220 KG

Composed by:

0234845	Grease industrial pump R=50:1
1527162	Lid Ø 600 mm
1527170	Follower plate Ø 590 mm
1527188	2SC 3/8" hose length 4,0 m
1527172	Gun with flex hose + coupler with triple swivel F3/8"
1527030	Galvanized steel extension M3/8"G-F1/2"G

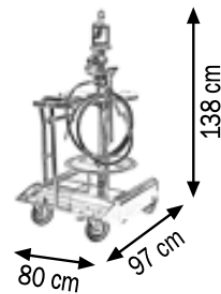


**IPG PUMP KITS 3134599**

KIT WHEELED PNEU GREASE PUMP R50 180-220 KG

Composed by:

0234845	Grease industrial pump R=50:1
1527182	4-wheels trolley
1527162	Lid Ø 600 mm
1527170	Follower plate Ø 590 mm
1527188	2SC 3/8" hose length 4,0 m
1527172	Gun with flex hose + coupler with triple swivel F3/8"
1527030	Galvanized steel extension M3/8"G-F1/2"G

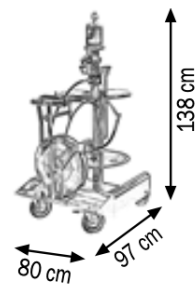


**IPG PUMP KITS 3134600**

KIT WHEELED PNEU GREASE PUMP R50 180-220 KG WITH HOSE REEL

Composed by:

0234845	Grease industrial pump R=50:1
1527182	4-wheels trolley
1527162	Lid Ø 600 mm
1527170	Follower plate Ø 590 mm
1527029	2SC 3/8" hose length 1,5 m
1527172	Gun with flex hose + coupler with triple swivel F3/8"
1527185	Hose reel with hose 2SC 3/8" l 15,0 m
1527030	Galvanized steel extension M3/8"G-F1/2"G



**IPG PUMP KITS 3134601**

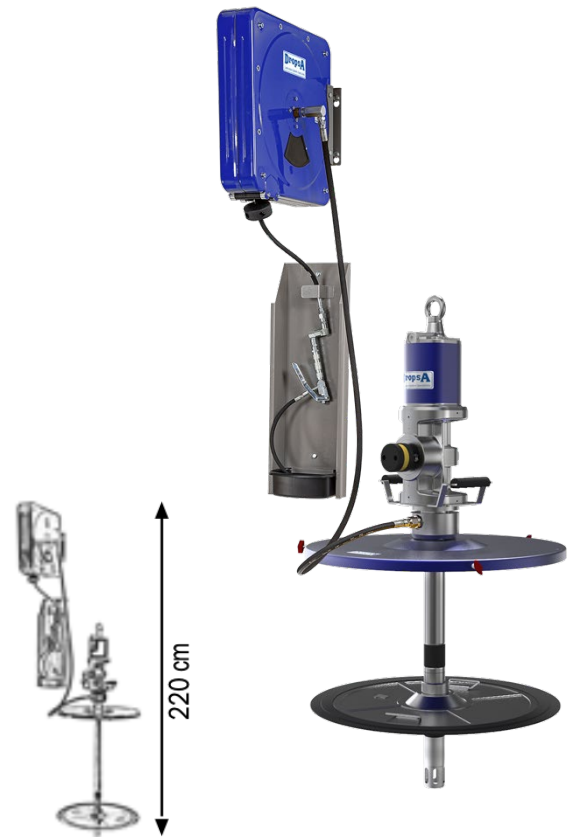
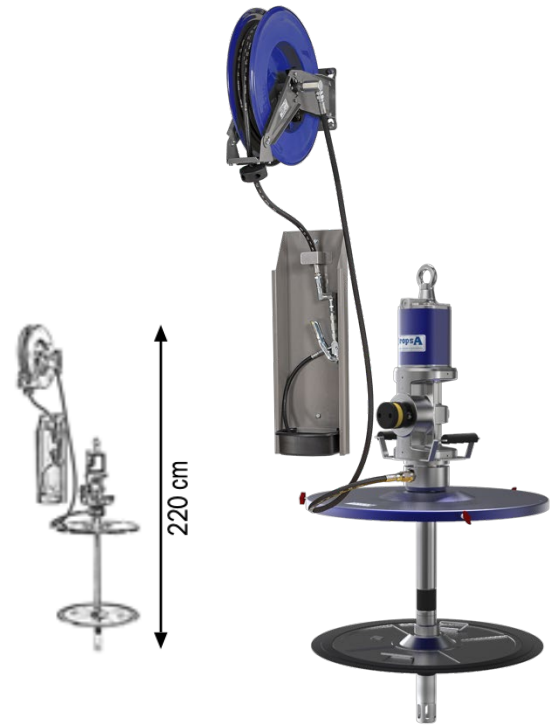
Wall-fixed industrial pump grease kit for drums 180-220 kg  
Composed by:

0234845	Grease industrial pump R=50:1
1527185	Hose reel with hose 2SC 3/8"   15,0 m
1527162	Lid Ø 600 mm
1527170	Follower plate Ø 590 mm
1527029	2SC 3/8" hose length 1,5 m
1527030	Galvanized steel connection M3/8"G-F1/2"G
1527172	Gun with flex hose + coupler with triple swivel F3/8"
1527178	Picking up drops support

**IPG PUMP KITS 3134602**

Wall-fixed industrial pump grease kit for drums 180-220 kg  
Composed by:

0234845	Grease industrial pump R=50:1
1527026	Closed hose reel with hose 2SC 3/8"   15,0 m
1527162	Lid Ø 600 mm
1527170	Follower plate Ø 590 mm
1527029	2SC 3/8" hose length 1,5 m
1527030	Galvanized steel connection M3/8"G-F1/2"G
1527172	Gun with flex hose + coupler with triple swivel F3/8"
1527025	Picking up drops support



**C2318PE WK 30/23**

DropsA products can be purchased at DropsA branches and authorised distributors. Go to [www.dropsa.com/contact](http://www.dropsa.com/contact) or write to [sales@dropsa.com](mailto:sales@dropsa.com)

Distributor info: