

TROLLEY MOUNTED PNEUMATIC PUMPS FOR LUBRICATION OF MALE, BALL AND GATE VALVES

Trolley mounted pneumatic pumps are particularly suited for the lubrication of male, ball and gate valves.

They can be easily transported to the area of use as they are installed on a trolley.

The trolleys are made in two versions to hold 5 kg and 25 kg barrels.

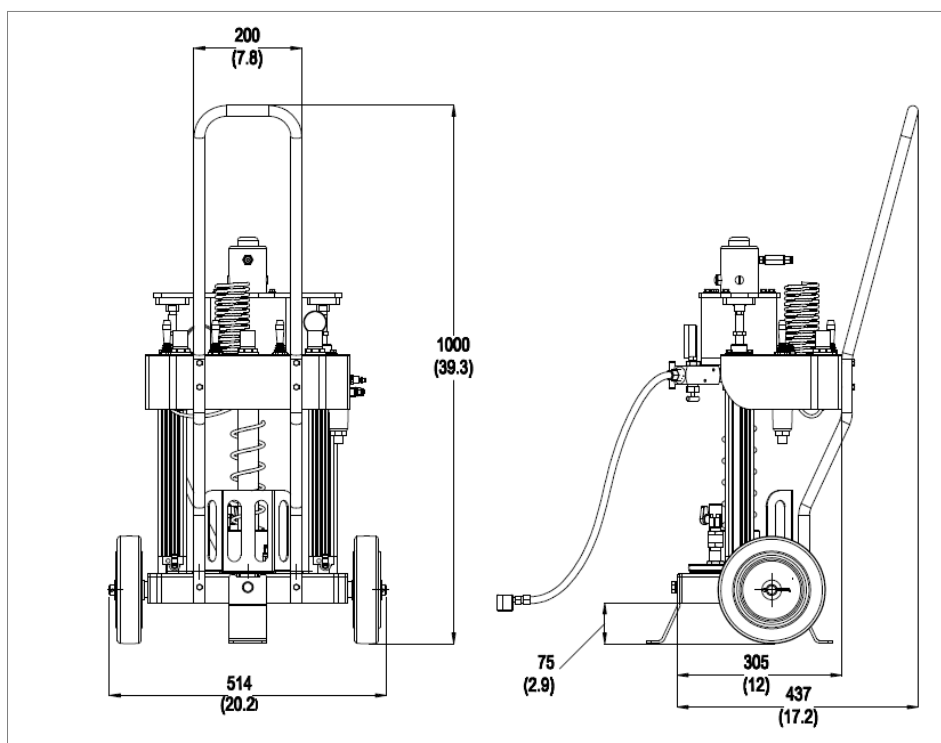
TECHNICAL INFORMATION

GENERAL TECHNICAL INFORMATION

Pumping system	<i>Piston</i>
Max. pressure	<i>700 bar</i>
Operating temperature	<i>- 5 ÷ + 50 °C</i>
Lubricants	<i>Sealant/Grease max NLGI3</i>
Flow rate at 6 bar	<i>400 gr*min</i>
Compression Ratio	<i>100/1</i>



DIMENSIONS (NOT TO SCALE)



ORDERING INFORMATION

DESCRIPTION	PART No.
5 kg pneumatic trolley mounted pump	0400605
25 kg pneumatic trolley mounted pump	0400606

Info Distributore: