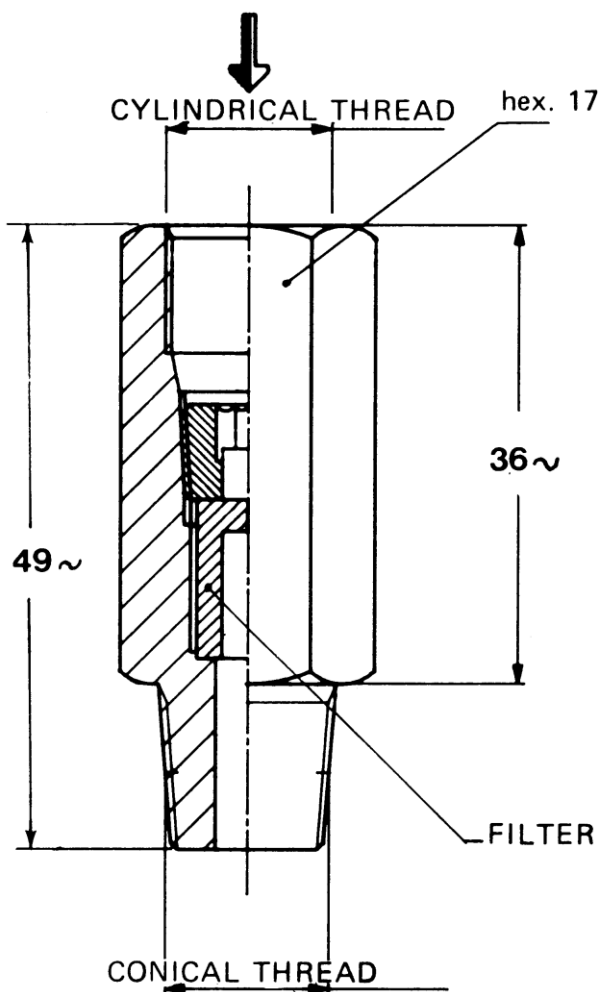




**FITTING WITH FILTER
FOR FEEDER LINE**

3084331 ÷
3084365



SPECIFICATIONS

BODY IN GALVANIZED STEEL
FILTER IN SINTERED BRONZE

FITTING WITH FILTER				FILTERING RATIO	ONLY FILTER (SPARE)
M 10x1	1/8 (BSP)	1/4 (BSP)	1/4 NPT		
3084361	3084341	3084351	3084333	10	3130152
3084362	3084342	3084352	3084334	20	3130153
3084363	3084343	3084353	3084335	30	3130154
3084364	3084344	3084354	3084331	50	3130155
3084365	3084345	3084355	3084336	70	3130156

ITALIA
Dropsa SpA
t. +39 02-250791
f.+39 02-25079767

U.K.
Dropsa (UK) Ltd
t. +44 (0)1784-431177
f. +44 (0)1784-438598

GERMANY
Dropsa GmbH
t. +49 (0)211-394-011
f. +49 (0)211-394-013

FRANCE
Dropsa Ame
t. +33 (0)1-3993-0033
f. +33 (0)1-3986-2636

CHINA
Dropsa Lubrication Systems
(Shanghai) Co., Ltd
t. +86 (021) 67740275
f. +86 (021) 67740205

U.S.A.
Dropsa USA Incorporated
t. +1 586-566-1540
f. +1 586-566-1541

AUSTRALIA
Dropsa Australia Pty
t. +61 (02)-9938-6644
f. +61 (0)2-9938-6611

BRAZIL
Dropsa Do Brasil Ind.e
Com.Ltda
t. +55 (0)11-563-10007
f. +55 (0)11-563-19408

Web site:
<http://www.dropsa.com>

E-mail:
sales@dropsa.com

WK 01/85
7176113

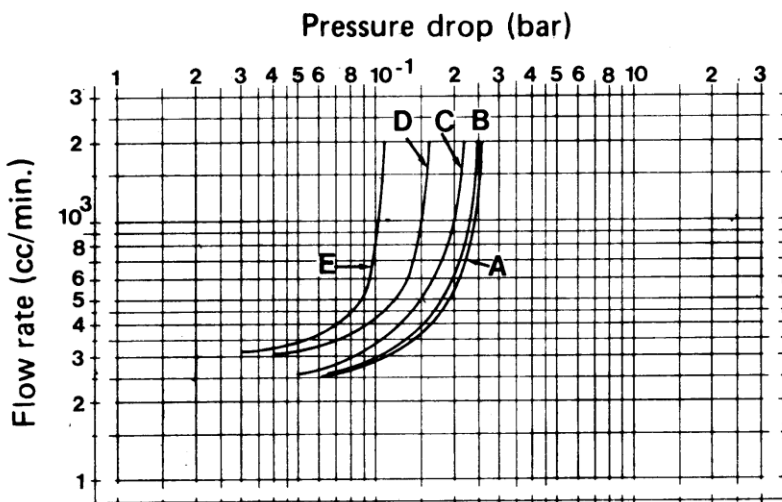
3084331 ÷
3084365

FITTING WITH FILTER FOR FEEDER LINE

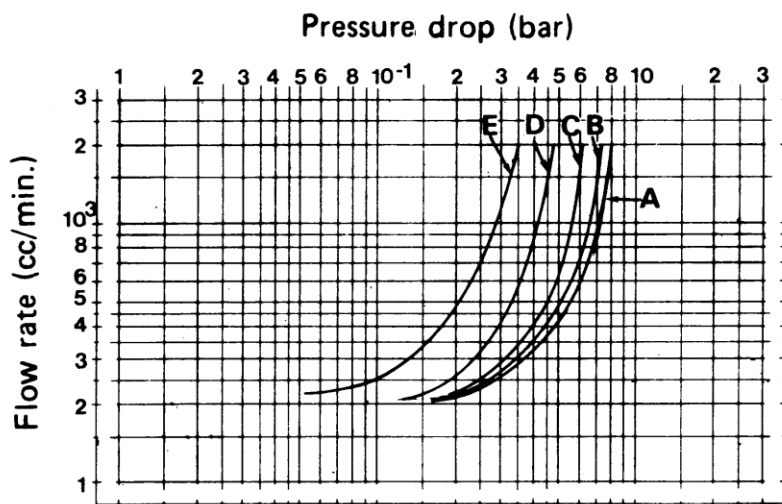


FILTER ELEMENT

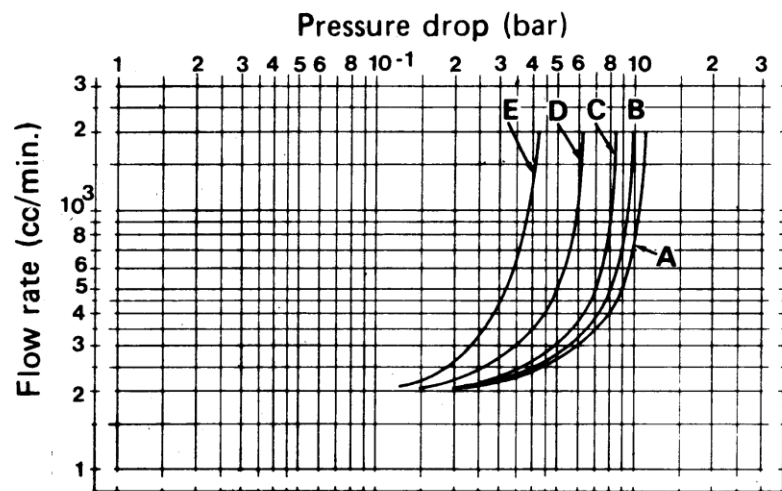
Curve A : 10 μ	Curve D : 50 μ
Curve B : 20 μ	Curve E : 70 μ
Curve C : 30 μ	



Characteristic curves to oil
with viscosity 417 SUS at
100° F (90 cSt at 38° C).



Characteristic curves to oil
with viscosity 927 SUS at
100° F (200 cSt at 38° C).



Characteristic curves to oil
with viscosity 1899 SUS at
100° F (410 cSt at 38° C).