

CHARACTERISTICS

- POSSIBILITY TO SPLIT THE SYSTEM IN MORE INDEPENDENT SECTIONS
- FLEXIBILITY
- WORK PRESSURE UP TO 400 BAR (5800 PSI)
- FUNCTIONALITY
- QUICK LOCATION OF FAULTY VALVE
- RELIABILITY
- REDUCTION OF PRESSURE DROP
- PROGRAMMABILITY

SHUT OFF VALVE THE PROGRAMMABLE PROGRESSIVE LUBRICATION SYSTEM

"SHUT OFF" is the basic component to transform a standard progressive lubrication system into the "New programmable system".

The "SHUT OFF" VALVE comprises a solenoid valve and special SMX modular base. This assy. replaces the initial base on a standard SMX progressive block. All the other elements such as metering valves, intermediate bases and final base are the same as the modular SMX system.

"SHUT OFF" VALVES are available in BSP or NPTF threads.



ELECTRIC SHUT OFF

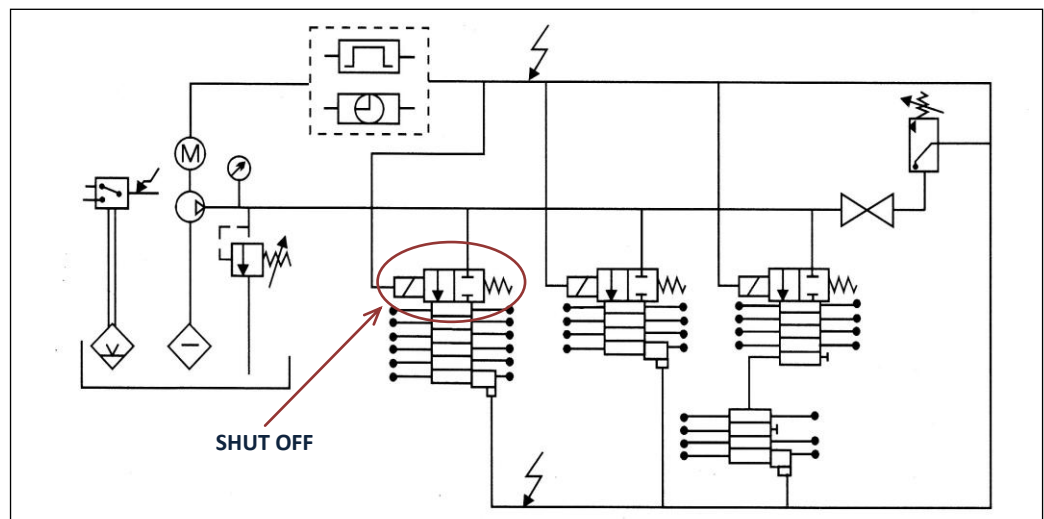


PNEUMATIC SHUT OFF

- **POSSIBILITY TO SECTION THE INSTALLATION IN SECTORS WITH DIFFERENT LUBRICATION CYCLES**
"SHUT OFF" valve makes it possible to programme the amount of lubrication and the intervals of lubrication according to the requirements of different parts of the machine.
- **OPERATION WITH OIL OR GREASE AT A PRESSURE OF 400BAR (5880 PSI)**
This valve is suitable for either light oil (min viscosity ≥ 15 cSt) or thick grease (density ρ to NLGi 3) can operate at pressure of 400 bar (5880 psi).
- **REDUCTION OF PRESSURE DROP**
The standard progressive system is comparable to series circuitry in electricity. The lubricant flow operates a series of valves in succession and this reduces step by step the operating pressure and limits the length of the installation.
The "shut off" valve permits the design of installations with extended lines and many valves.
- **QUICK LOCATION OF FAULTY VALVE**
An indicating micro switch mounted on the progressive block permits location of the damaged section of the installation.
- **INTERCHANGEABILITY OF BASES AND METERING VALVES THANKS TO THE MODULAR CONCEPT**
The metering valve can be serviced without disturbing the pipe work.
The installation can be easily extended or modified.

APPLICATION EXAMPLE

Each section of the system gets the lubricant directly from the main line through a shut-off valve controlled by an electronic controller, which is either time based or pulse/cycle counter.



CONTACTS

www.dropsa.com

sales@dropsa.com

ITALY

Dropsa SpA
t. +39 02-250791
f. +39 02-2507976

U.K.

Dropsa (UK) Ltd
t. +44 (0)1784-431177
f. +44 (0)1784-438598

GERMANY

Dropsa GmbH
t. +49 (0)211-394-011
f. +49 (0)211-394-013

FRANCE

Dropsa Ame
t. +33 (0)1-3993-0033
f. +33 (0)1-3986-2636

U.S.A.

Dropsa Corporation
t. +1 586-566-1540
f. +1 586-566-1541

AUSTRALIA

Dropsa Australia Ltd.
t. +61 (02)-9938-6644
f. +61 (0)2-9938-6611

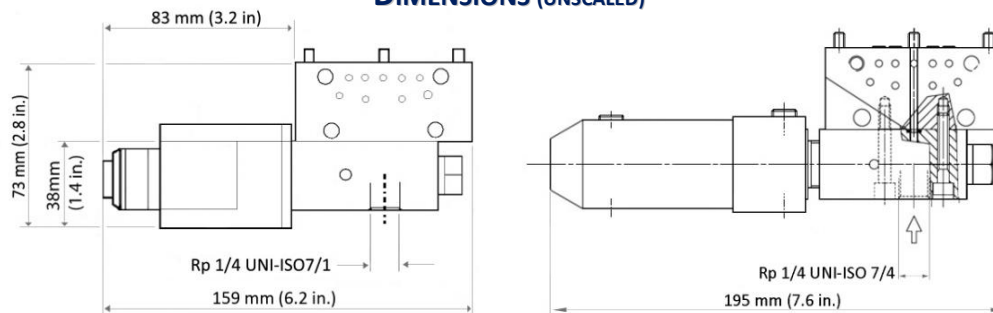
BRAZIL

Dropsa Brasil Ind.e
Com.Ltda
t. +55 (0)11-563-10007
f. +55 (0)11-563-19408

CHINA

Dropsa Lubrication Systems
(Shanghai) Co., Ltd
t. +86 (021) 67740275
f. +86 (021) 67740205

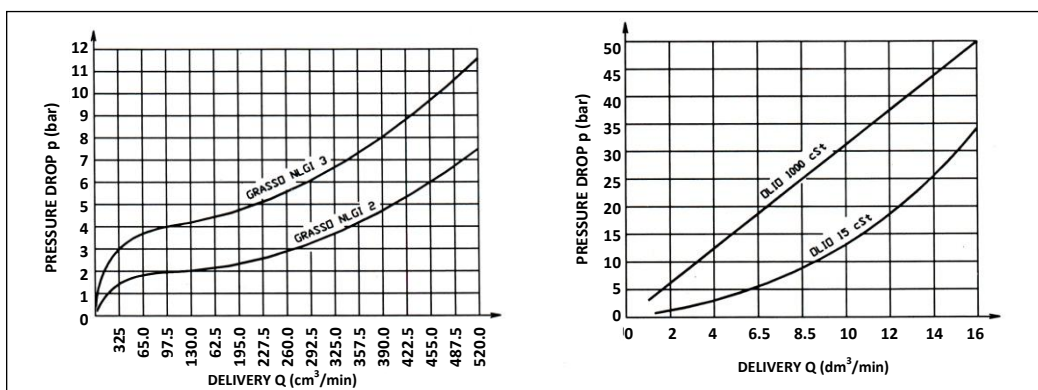
DIMENSIONS (UNSCALED)



ELECTRIC SHUT OFF

PNEUMATIC SHUT OFF

GRAPHS OF PRESSURE DROP ACCORDING TO THE DELIVERY



TECHNICAL INFORMATION

TECHNICAL INFORMATION	
Max pressure	Oil (min. viscosity 15 cSt)
Grease max. density	NLGI 3 at operating Temperature
Operating temperature	From -20°C up to +100°C (from -4°F up to +212°F)
Voltage	12 V dc, 24V dc, 110V ac 50/60Hz, 220 V ac 50/60 Hz. (specify current and voltage when ordering)
Power	43 Watt (dc) 8 VA (ac)
Type of connection	IP65 (electric connections)
Protection degree	IP54 (coil)
Air driven	Min. 3 bar (44.1 psi) Max 5 bar (73.5 psi)
Lubricant inlet	Rp 1/4 UNI-ISO 7/1 o 1/4 NPTF
Lubricant outlet	Rp 1/8 UNI-ISO 7/1 o 1/8 NPTF

ORDERING INFORMATION

Part. No.	No. of metering unit No SMX	Base assy. UNI-ISO 7/1
0641561	3	SMX-END + INT BASE BSP
0641981	4	SMX- END BASE + INT BASE + INT BSP
0641982	5	SMX- END BASE + INT BASE + INT BSP
0641983	6	SMX- END BASE + INT BASE + INT BSP
0641984	7	SMX- END BASE + INT BASE + INT BSP
0641985	8	SMX- END BASE + INT BASE + INT BSP
0641986	9	SMX- END BASE + INT BASE + INT BSP
0641987	10	SMX- END BASE + INT BASE + INT BSP
0641988	11	SMX- END BASE + INT BASE + INT BSP
0641989	12	SMX- END BASE + INT BASE + INT BSP
0641990	13	SMX- END BASE + INT BASE + INT BSP

Part. No.	DESCRIPTION
3155092	SMX-SHUT-OFF VALVE BSP 24V
3155093	SMX-SHUT-OFF VALVE 110V50HZ
3155097	SMX-SHUT-OFF VALVE 220V 50HZ
3155144	SMX-PNEUMATIC SHUT-OFF VALVE