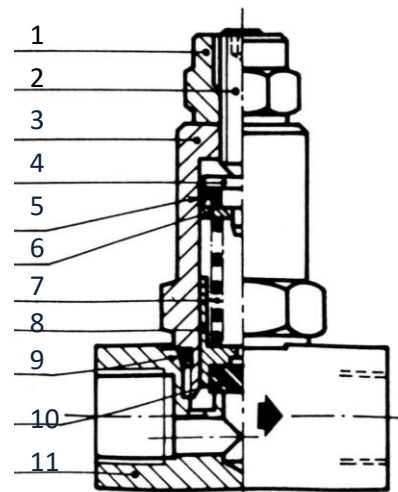
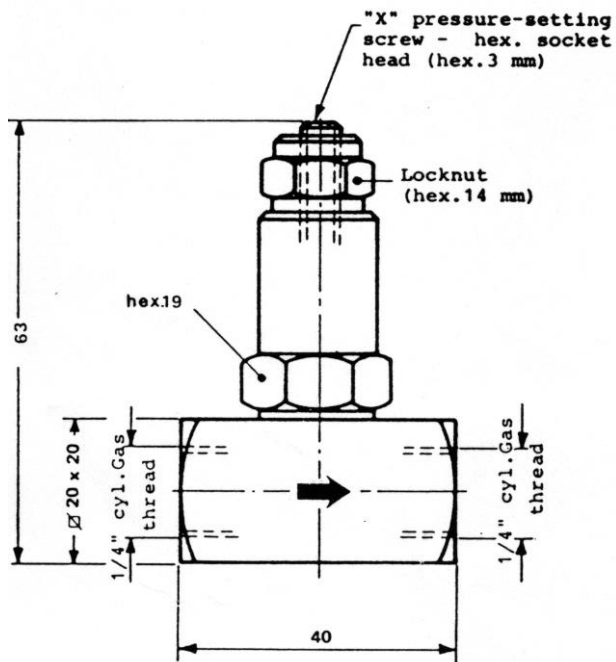
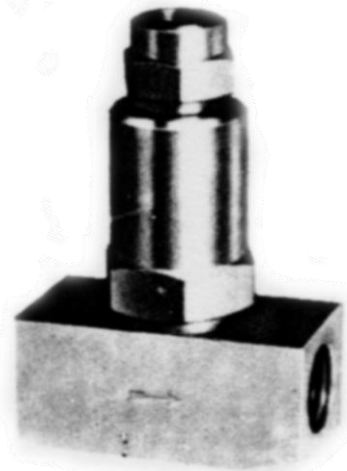
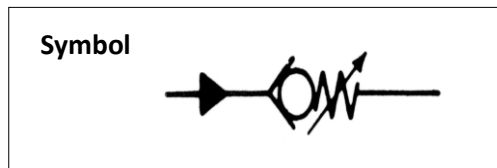


SERIAL 26 – NON RETURN VALVE

TECHNICAL INFORMATION

TECHNICAL CHARACTERISTICS	
Pressure	from 0 to 30 bar (adjustable)
Material	galvanized steel
Diameter port.	5 mm
Elastomeric	plastic seal plate
Fittings	1/4" Gas thread
Weight	160 g



ORDERING INFORMATION

Pos.	Description	Part No.	Q.ty
1	Nut, dowel locking	3235127	1
2	Screw	15820	1
3	Cap, valve	3042997	1
4	Plate	3016107	1
5	Gasket	3190112	1
6	Washer	3233144	1
7	Spring	3191167	1
8	Valve	3096154	1
9	Gasket	61104	1
10	Gasket	3190198	1
11	Body, non return valve	3072013	1

Distributor Info: