

Characteristics

- **Maximum number of readings:**
100/min;
- **Maximum measured flowrate:**
35 cm³/min;
- **Flowrate for reading sensor:**
0.35 cm³/cycle nominal (± 5%);
- **Minimum operating pressure:**
10 bar - 147 psi;
- **Maximum operating pressure:**
400 bar - 5880 psi;
- **By-pass opening:**
40 bar;
- **Material:**
Galvanized steel;
- **CE Ex II 3GD c IIC T6 T85°C IP65 Certification.**

Flow Metering Device ATEX

The Flow metering device is designed to volumetrically monitor small flow rates on medium-high pressure lubrication systems. Its operation is based on the progressive system operating concept.

The displacement of a calibrated sequence of spools in the device, generated by the passage of the flow of oil, is detected by a proximity sensor.

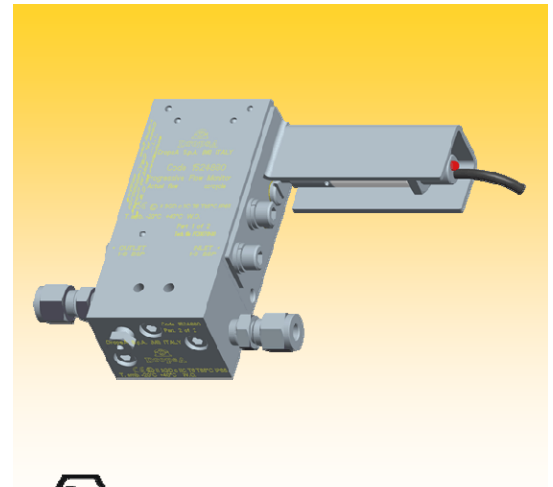
A output signal is generated each time 0.35cc. is displaced and output through the device.

The device is mounted on a base plate that allows its removal, calibration and substitution without the need to disconnect tubing.

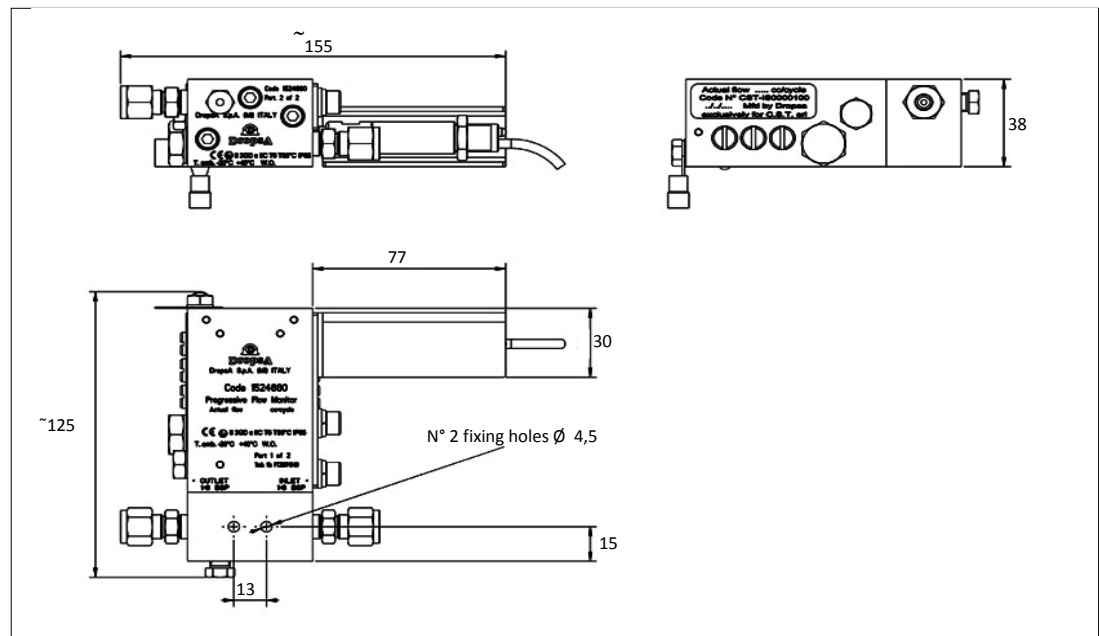
Additionally it incorporates a safety bypass system that allows oil to flow even if the device becomes blocked.

A Inlet filter is also included internally to protect contamination of the device.

The product is suitable for applications in potentially explosive atmospheres (certified in accordance with Directive 94/9 CE).



Dimensions



Applications

- **Lubricant delivery control.**

Contacts

www.dropsa.com
sales@dropsa.com

ITALIA

Dropsa SpA
 t. +39 02-250791
 f. +39 02-25079767

U.K.

Dropsa (UK) Ltd
 t. +44 (0)1784-431177
 f. +44 (0)1784-438598

GERMANY

Dropsa GmbH
 t. +49 (0)211-394-011
 f. +49 (0)211-394-013

FRANCE

Dropsa Ame
 t. +33 (0)1-3993-0033
 f. +33 (0)1-3986-2636

ESPAÑA

Polydrop, S.A.
 t. +34 (0)93-260-22-50
 f. +34 (0)93-260-22-51

U.S.A.

Dropsa Corporation
 t. +1 586-566-1540
 f. +1 586-566-1541

AUSTRALIA

Dropsa Australia Ltd.
 t. +61 (0)2-9938-6644
 f. +61 (0)2-9938-6611

BRAZIL

Dropsa Remonlub
 t. +55 (0)11-563-10007
 f. +55 (0)11-563-19408

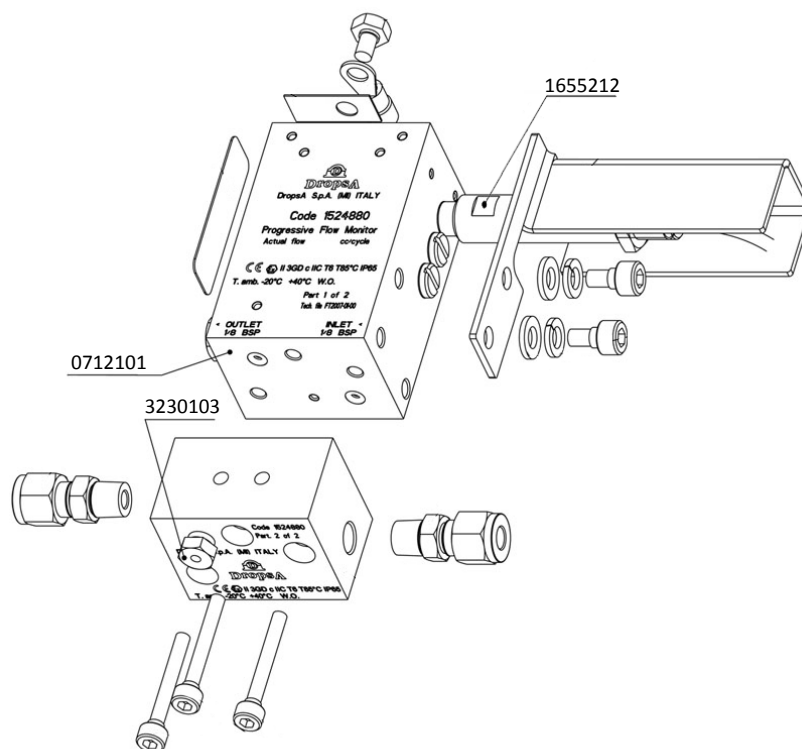
CHINA

Dropsa Lubrication Systems
 (Shanghai) Co.,Ltd
 t. +86 (021) 67740275
 f. +86 (021) 67740205

Flow Metering Device ATEX

TECHNICAL SPECIFICATIONS

Max. number of readings	100/min.
Max. measured flowrate	35 cm ³ /min.
Flowrate for reading sensor	0,35 cm ³ /cycle nominal (±5)
Min. operating pressure	10 bar – 147 psi
Max. operating pressure	400 bar – 5880 psi
by-pass opening	40 bar – 588 psi
Lubricant Viscosity	Oil = 32+1000 ISO VG Grease = 00 NLGI
Monoblock material	Galvanized steel
Certification	CE Ex II 3GD c IIC T6 T85°C IP65



Order Informations

HOW TO ORDER

PART NR.	DESCRIPTION
1524880	Flow metering device with fixing plate
SPARES PARTS	
0712101	Filter 25μ
1655212	Proximity sensor "NAMUR"