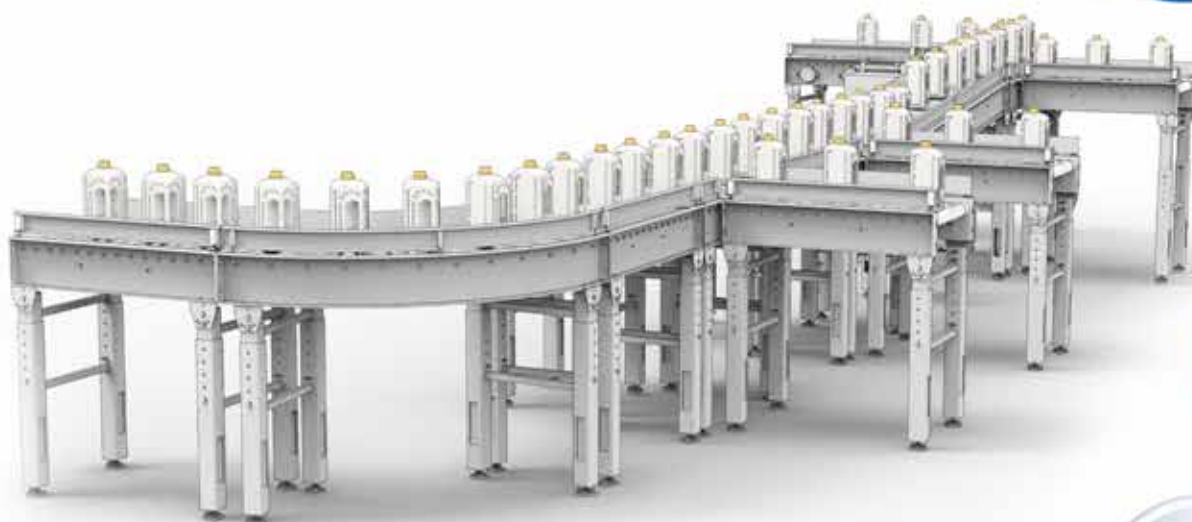


DropsA

Lubrication systems specialists

FOOD&BEVARAGE INDUSTRY



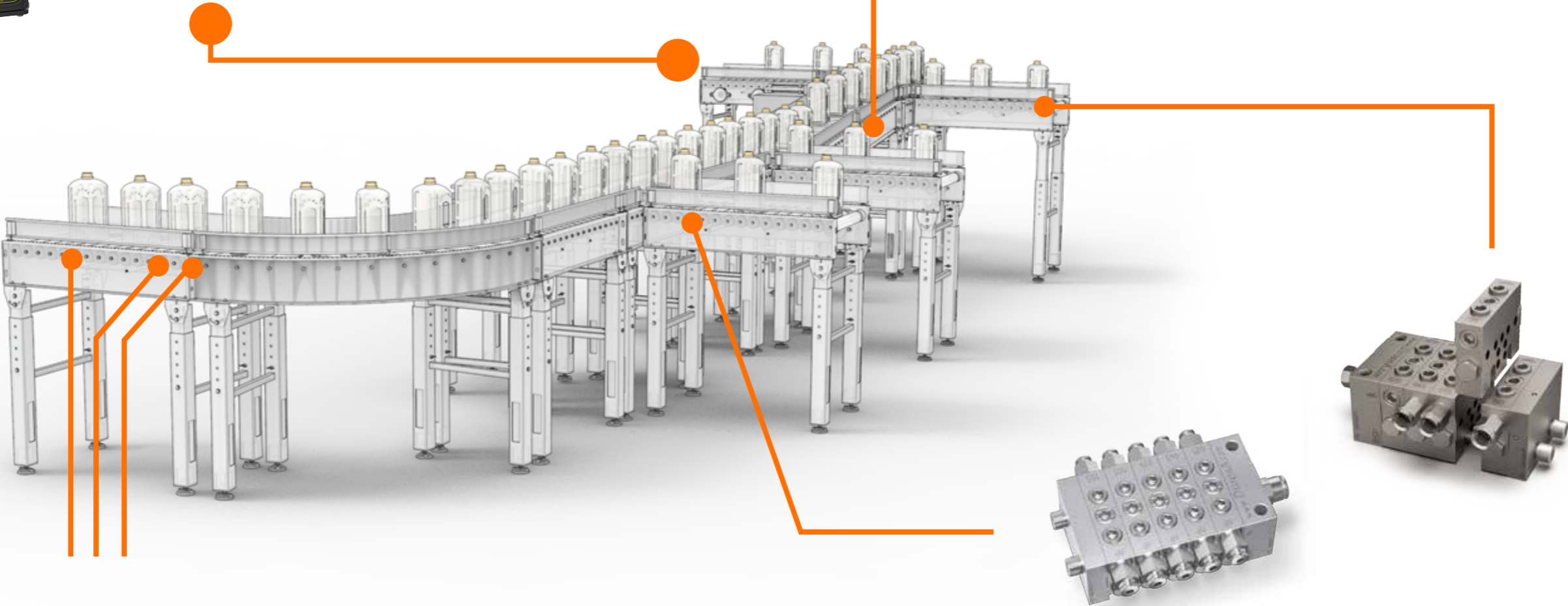


BRAVO-OMEGA BOX PUMPS:

Electric piston pumps designed to operate with one or more pumps, with or without internal bypass. Designed to work with progressive systems, they can feed one or more lines independently and, thanks to the automatic versions equipped with built-in control boards, they can also manage cyclic and operating times. For the food industry, DropsA has designed a solution in a varnished or stainless steel box that guarantees safety and compliance with industry standards. It is equipped with a pump, filters, regulators and control instruments, making it a ready-to-use solution for every system.

SMX-SMO:

The SMO and SMX series dividers are modular progressive dividers. This system is made up of two main parts: the base and the dividing elements. Unlike the single block systems, the modular dividers provide significant advantages: - the system can easily be extended by adding base and element modules without having to rethink the system – the modular concept guarantees low replacement costs in case of failure – the modular elements for SMO and SMX offered by DropsA are available with various flow rates, which allows the user to always find the right dosage depending on the components being lubricated, thereby being able to mix all the elements that need to be lubricated within the same feeder, without the need to compromise or having to create separate feeding blocks.



SMP DIVIDER

SMP is a progressive cylinder block distributor that is ideal for applications in small spaces. It is available in 6, 8, 10, 12, 14, 16 and 18 outputs, each with a dosage of 0.2 cm³ per cycle (0.012 cu. inch). The single output of the feeder may be combined with the one located adjacent by eliminating the special fitting and applying a plug. Visual or electronic monitoring works by removing the plug and installing a complementary visual or electronic device.

NP-NPR:

DropsA nano-Progressive (nP) feeders, with their compact and solid design, are the ideal solution for oil and grease lubrication in applications requiring minimal but accurate lubricant dosing in small spaces. By means of the progressive piston movement coupled with micrometric play inside the sliding hole, the inlet flow rate is distributed in very precise quantities among the different available outlets. Thanks to a new RigidLock interlocking mechanism between the elements, nano-Progressive (nP) has the rigidity of a mono-block feeder but the flexibility of a modular segmented unit. The nano-Progressive Replaceable (nPr) DropsA feeder uses an innovative rail & lock concept to allow the element to be replaced or re-organised without the need for complete disassembly.





GEAR PUMPS:

DropsA's 3410... series electric gear pumps are self-lubricating pumps capable of operating with a wide range of oils and fluids and have the great advantage of working with recirculation systems without the need for the fluid in circulation to undergo a particularly fine filtration.



ELECTRIC PUMPS

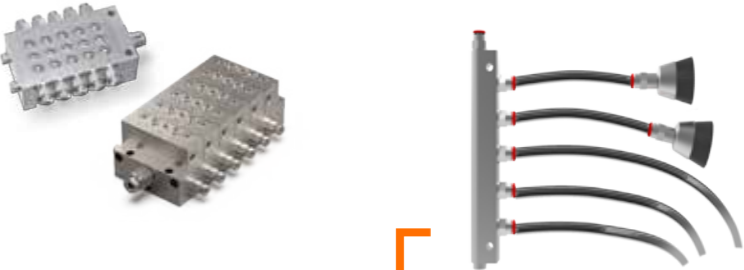
Series 340 electric pumps are often used with stainless steel (AISI 316) progressive cavity pumps for oil lubrication of parts that are very close to the products and, therefore, where the risk of contamination is higher.



SMO/SMX



nP/nPR/SMP



LOCOPUMP S3

Single-acting pneumatic pump generally used in systems with single line progressive feeders. This pump is available with two tanks, in 0.5 kg, ideal for small spaces, and 2 kg. Both tanks are spring-loaded, thanks to which it can easily dispense NLGI 2. The transparent tank makes it possible to keep track of the remaining amount of lubricant. The minimum level of lubricant present is indicated by a grease distribution control switch, which allows remote alarm signals to be given in the machine on which it is mounted. The product's high reliability is also guaranteed by the use of steel in the construction of all the pumping components.



33V



HYDRAULIC OR PNEUMATIC PUMPS

The hydraulic pumps (series 3107...) or compact pneumatic pumps (series 3103...) are often used together with oil systems with type 33V valves and brush, felt or oil bath units for the lubrication of slideways and conveyor belts of bottling, washing and labelling systems.



Automatic lubrication: optimisation of costs and work times



The use of lubrication systems is even more indispensable for the correct operation of machines when they operate in difficult environmental conditions, such as those in the food industry. The installation of an automatic lubrication system allows machine down times to be reduced and allows consumption of the lubricant to be controlled and the life of the bearings, chains and gears to be increased.

Thanks to their many years of experience and a capillary network of branches and resellers all over the world, DropsA provides specific solutions for every need and follows the customer from the definition of the project to the installation to post sales support. The solutions proposed for the food sector are applicable on all various types of machinery:



CONVEYOR BELTS



REFINERS



MACHINES FOR FILLING AND WASHING



BOTTLING MACHINES



LABELLING MACHINES

Sistems Solutions



TOTAL LOSS LUBRICATION



GREASE LUBRICATION



AIR/OIL LUBRICATION



OIL RECIRCULATION LUBRICATION



MQL NEAR DRY MACHINING LUBRICATION

DropsA

Since 1946, DropsA has been producing systems and components for centralised lubrication, continuously developing new products and patents that have contributed to making the lubrication sector all over the world more innovative and competitive.

DropsA offers a vast range of products capable of maximising the profitability and productivity of your machinery, providing the latest technologies in terms of systems, functionality and components. Thanks to the branches and the specialised distribution channels, DropsA provides prompt responses, support and assistance to customers on a local or global level, guaranteeing the same high quality standards all over the world.



DropsA Production

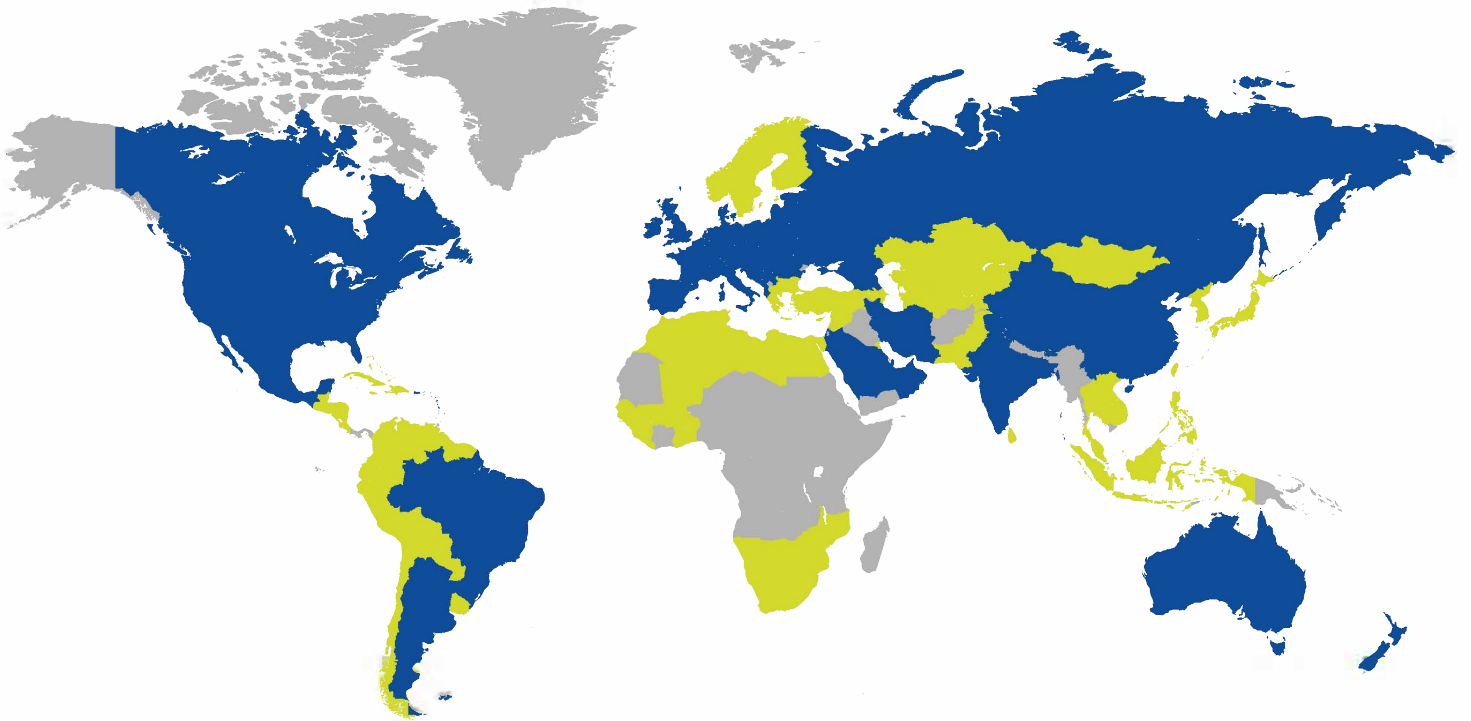
The production, processing and automated assembly systems that are in the central plant near Milan are equipped with an advanced quality monitoring and product traceability system in order to guarantee both highly efficient processing and product assembly that accurately reflects the technical specifications.

Continuous investments in all of the areas of design, engineering and production of the products ensure a constant increase in the reliability of the products themselves.



DropsA

Lubrication systems specialists



@DropsA #LubricationSystems #Solutions #Innovation #Technology