



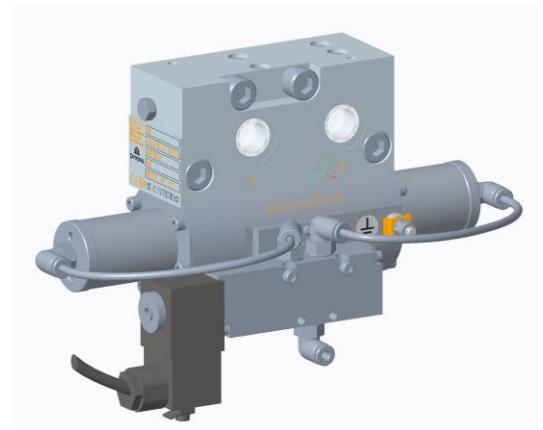
4/2 ELECTROPNEUMATIC VALVE ATEX

ELECTROPNEUMATIC VALVE (4/2)



The **4/2 ATEX electropneumatic pump** is compliant with Directive 94/9/CE 'ATEX'. It is an electropneumatic variant of the 4/2 electropneumatic pump designed to operate in potentially dangerous environments, for areas classified as Zone 1 and 21 due to the presence of Group-II C inflammable gasses and combustible powders.

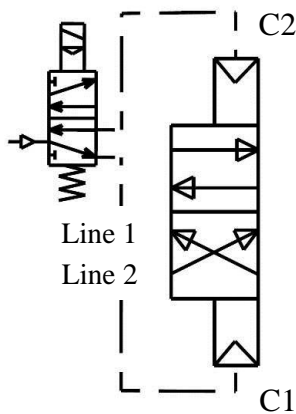
Its function entails alternatively establishing a connection with pump's supply and one of the two delivery lines, thereby simultaneously allowing a release in pressure in the other to occur. In a resting state, the valve closes both of the lines.



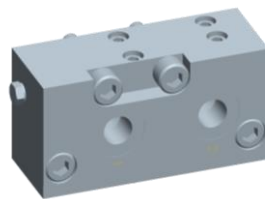
DESIGNED TO OPERATE IN POTENTIALLY DANGEROUS ENVIRONMENTS



II 2GD IIC IIIC T5/T100 °C IP65 Gb Db X



Pressurising the cylinder, C1 switches from line 2 to line 1.
Pressurising the cylinder, C2 switches from line 1 to line 2.



Adapter plate for Mini- SUMO pumps

APPLICATIONS

- **Dual-line systems:** reversal of the supply in dual-line systems.
- **Progressive systems and sectioning the lines:** by plugging outlet 1 or 2, the valve can also be used to section one branch of the lubrication system, or without plugging the outlet, to alternatively section two branches of the system.
- **Grease applications:** particularly suitable for grease, can be applied to any circuit that requires a 4/2 valve.

ADVANTAGES

- **Modular basis:** quick maintenance thereby minimising the machine downtimes and avoiding the risk of lubricant contamination.





4/2 ELECTROPNEUMATIC VALVE ATEX

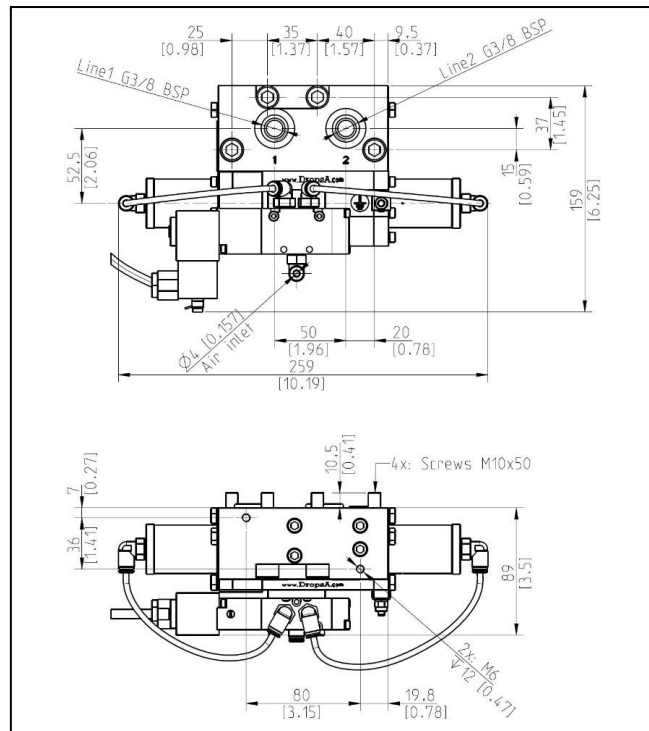
TECHNICAL ELECTRICAL SPECIFICATIONS

Supply voltage	24V DC/AC – 110/230V AC
Power consumption	2W (DC) – 3VA (AC)
Degree of protection of the coil	IP 65
Input air pressure	3 ÷ 6 bar

HYDRAULIC SPECIFICATIONS

Max. flow rate	400 cc/min
Maximum operating pressure	400 bar
Outlet connection	G3/8" BSP
Operating temperature	- 10 ÷ + 50 °C (+14÷+122F)
Operating humidity	90% R.H.
Permitted lubricants	Grease, max. NLGI2;
Storage temperature	-40 ÷ +65 °C (+40÷+149F)

DIMENSIONS



ORDER INFORMATION

4/2 ELECTROPNEUMATIC VALVE

Description	Code
24V DC	0083570
24V AC	0083571
110V AC	0083572
230V AC	0083573

OPTIONAL

Description	Code
Pressure gauge kit	3133967

RICAMBI

Description	Code
Coil, ATEX 24V DC	3150108
Coil, ATEX 24V AC	3150109
Coil, ATEX 110V DC	3150110
Coil, ATEX 230V DC	3150111
5/2-NC valve	3155222
Gaskets, OR valve / pump	3190500
Right pressure gauge	3292176
Left pressure gauge	3292175

Distributor info:

C2269PE WK 34/20

Dropsa products can be purchased at Dropsa branches and authorised distributors. Go to www.dropsa.com/contact or write to sales@dropsa.com