



MANUAL PUMP SERIES 12130

SINGLE-LINE MANUAL PUMP WITHOUT A RESERVOIR FOR LUBRICATION SYSTEMS – SYSTEM 01

Pump for applications on machines with an incorporated reservoir and extremely user-friendly operation: it's enough to firmly pull up the handle as far as it will go and then release it to distribute the lubricant.

The pump is applied using a gasket on the flange can be mounted in any position using three M5 screws.

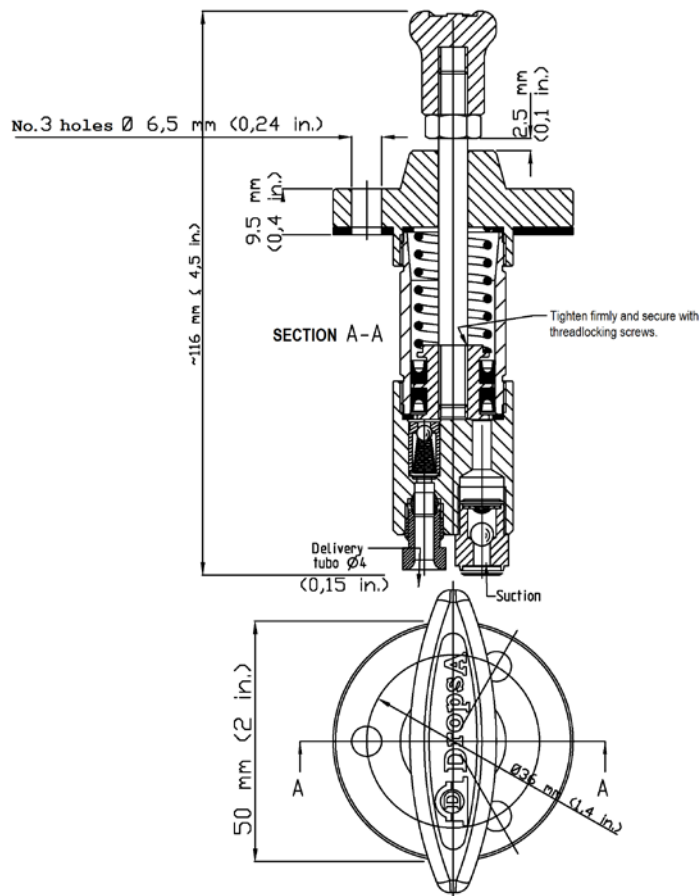


TECHNICAL INFORMATION

TECHNICAL SPECIFICATIONS

Maximum flow rate	3.7 cm ³ /stroke (0.22 in ³)
Pressure	3.3 bar (48.51 PSI)

DIMENSIONS



ORDER INFORMATION

DESCRIPTION	CODE
Manual pump for single-line lubrication systems - System 01	0012130

Distributor Info: