

## CHARACTERISTICS

- **STANDARD EQUIPMENT:** REFILLING FILTER, ELECTRIC MINIMUM LEVEL AND A PUMPING UNIT FIXED OR ADJUSTABLE DELIVERY.
- STANDARD VERSION CAN BE INTEGRATED WITH UP TO THREE PUMPING UNIT.
- **TWO PUMPING UNITS AVAILABLE:** Ø 6 MM WITH A DELIVERY OF UP TO 10 CM<sup>3</sup>/MIN; Ø 8 MM WITH A DELIVERY OF UP TO 17 CM<sup>3</sup>/MIN;
- **RELIABLE TECHNOLOGY:** PROVEN FOR 999 SERIES PUMP ELEMENTS.
- **PRESSURE:** 300 BAR.
- **FIXED AND ADJUSTABLE DELIVERY:** FOR PUMP

## ADVANTAGES

- **COST REDUCTION:** SPECIFICALLY DESIGNED FOR APPLICATIONS THAT REQUIRE A COMPACT AND LOW-COST PRODUCT.
- **999 SERIES PUMP ELEMENTS:** THE PUMP UNITS CAN BE INTERCHANGED WITH THE 999 SERIES.
- **VERSATILE:** COMBINING THREE PUMP ELEMENTS FOR HIGHER OUTPUT OR MANAGE UP TO THREE LUBRICATION LINES.

## APPLICATIONS

- **SMALL-MEDIUM MACHINE TOOLS,** SUCH AS CNC OR PRESS.
- **WIDE RANGE OF APPLICATIONS** INCLUDING: COMPACTORS, WOOD OR GLASS OPERATING MACHINES.

## THE COMPACT, LOW-COST PUMP: IDEAL FOR SMALL-MEDIUM SIZED MACHINE TOOLS

### COMPACT AND LOW COST

The 989 series is ideal for application where space and costs are key factors. The pump is perfectly integrated with the 999 pump series from which it inherits the main features, such as: modularity, quality and performance. For these reasons, Series 989 represents the perfect solution for an extensive range of applications.

### STANDARD EQUIPMENT

The standard version is ready equipped to satisfy the requirements in small-medium machine tools applications. The pump is complete with refilling filter, electric minimum level and a pumping unit.



### FITS YOUR APPLICATION NEEDS

989 pump series can fit the changing needs of your application.

The availability of installing up to two pumping unit (with fixed or adjustable delivery) gives you two different options: to triple the standard flow or connect three lubrication lines directly to the pump.

#### The adjustable delivery is:

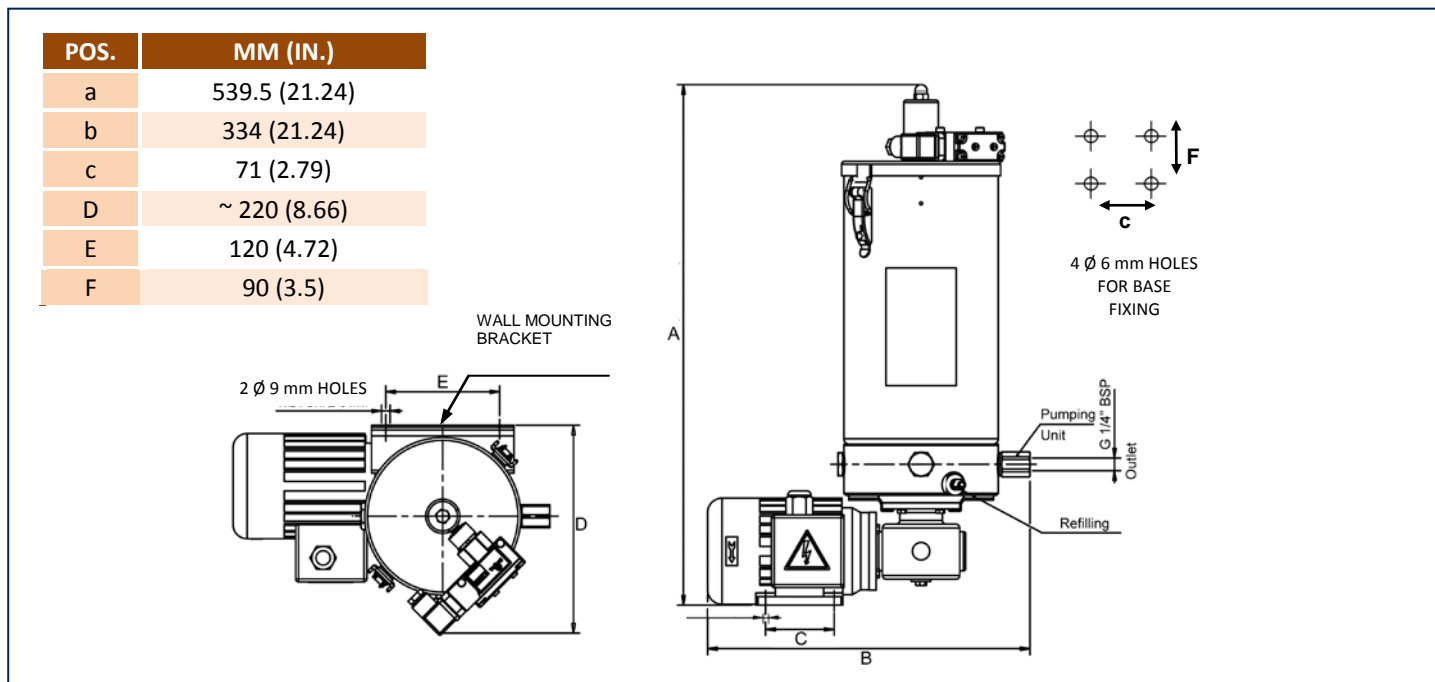
- 1.4 – 10 cm<sup>3</sup>/min for the 6mm diameter pump element;
- 2.5 – 17 cm<sup>3</sup>/min for the 8mm diameter pump element.

## TECHNICAL INFORMATION

### TECHNICAL INFORMATION

<b>Max. functioning pressure</b>	300 Bar (4410 psi)
<b>Max. fixed delivery (Ø6 mm pump unit)</b>	10 cm <sup>3</sup> / min (0.61 cu. in./min)
<b>Max. fixed delivery (Ø8 mm pump unit)</b>	17 cm <sup>3</sup> / min (1.03 cu. in./min)
<b>Adjustable delivery (Ø6 mm pump unit)</b>	1.4-10 cm <sup>3</sup> /min (0.085 – 0.61 cu. in. min)
<b>Adjustable delivery (Ø8 mm pump unit)</b>	2.5-17 cm <sup>3</sup> /min (0.15 – 1.03 cu. in. min)
<b>No. of pump units</b>	From 1 to 3
<b>Reservoir capacity</b>	5 kg. (11 lb)
<b>Lubricant</b>	Grease
<b>Viscosity at operating temperature</b>	NLGI 000, NLGI 2
<b>Operating Temperature</b>	+ 10° C ÷ + 40° C (+50° ÷ +104° F)
<b>Motor voltage</b>	220/380 V – 50/60 Hz – 24V DC
<b>Absorption</b>	90 W at 220/380 V – 100 W at 24V DC

## DIMENSIONS



## ORDER INFORMATION

### FIXED DELIVERY VERSIONS

TENSION	CODE	DESCRIPTION
220/380 V	<b>989001</b>	Grease electro-pump - 1 Ø 6 mm pumping unit
50/60 Hz	<b>989002</b>	Grease electro-pump - with 1 Ø 8 mm pumping unit
24 V DC*	<b>989011</b>	Grease electro-pump - with 1 Ø 6 mm pumping unit
	<b>989012</b>	Grease electro-pump - with 1 Ø 8 mm pumping unit

### ADJUSTABLE DELIVERY VERSIONS

TENSION	CODE	DESCRIPTION
220/380 V	<b>989003</b>	Grease electro-pump - 1 Ø 6 mm pumping unit
50/60 Hz	<b>989004</b>	Grease electro-pump - with 1 Ø 8 mm pumping unit
24 V DC*	<b>989013</b>	Grease electro-pump - with 1 Ø 6 mm pumping unit
	<b>989014</b>	Grease electro-pump - with 1 Ø 8 mm pumping unit

(\*) In the 24V version, the motor is supplied with a 1m cable, without a terminal

### ACCESSORIES

CODE	DESCRIPTION
<b>299642C</b>	Ø 6mm fixed delivery pumping unit 10 cm <sup>3</sup> /min (0.61 cu. in/min)
<b>299643C</b>	Ø 8 mm fixed delivery pumping unit 17 cm <sup>3</sup> /min (1.03 cu. in/min)
<b>299041C</b>	Ø 6mm adjustable delivery pumping unit 1.4-10 cm <sup>3</sup> /min (0.085 - 0.61 cu. in/min)
<b>299042C</b>	Ø 8mm adjustable delivery pumping unit 2.5-17 cm <sup>3</sup> /min (0.15 - 1.03 cu. in. min)
<b>0888036</b>	By Pass 0-250 Bar
<b>3292099</b>	0-400 Bar pressure gauge

Distributor Info: