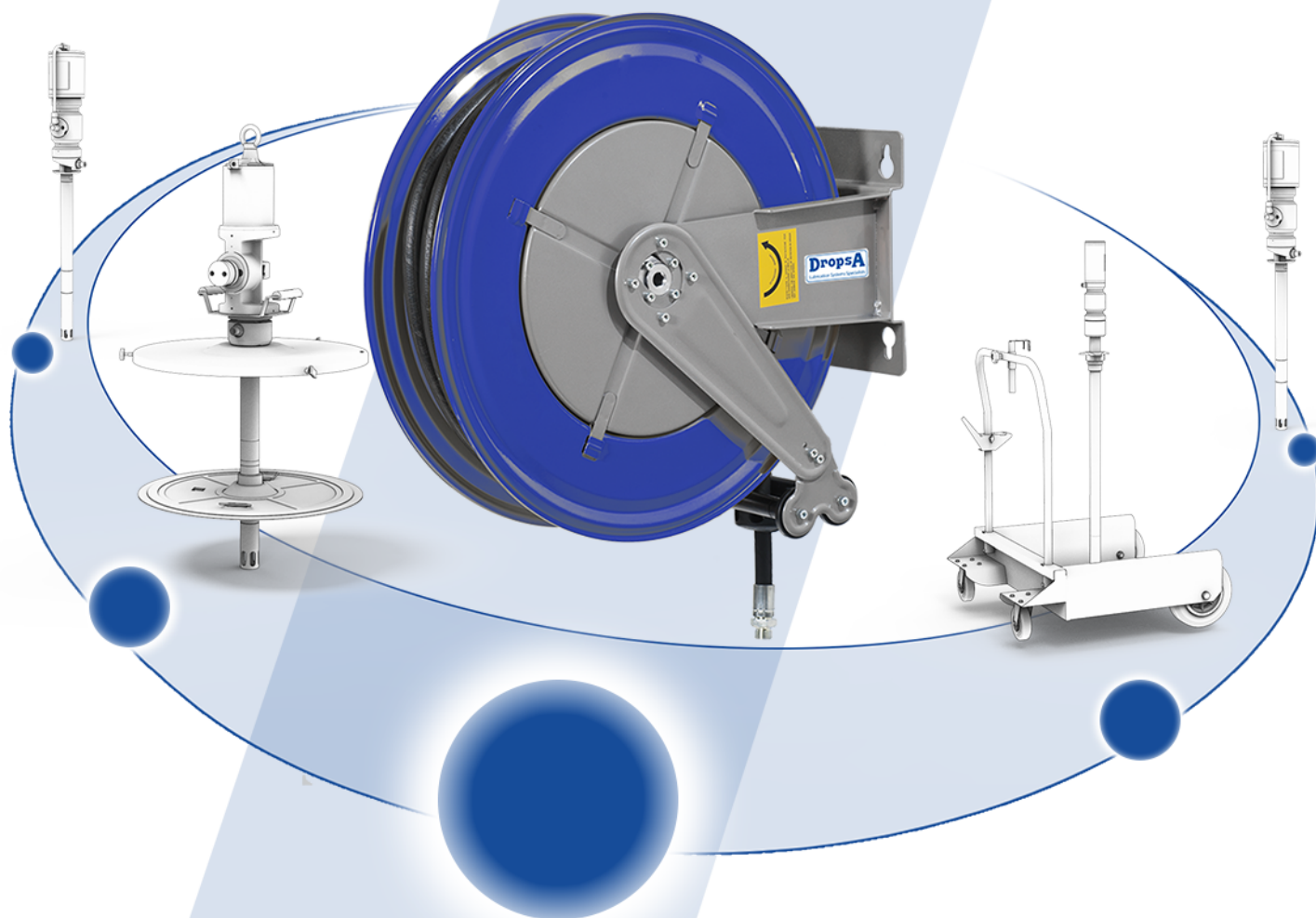


REELS



F-400	Part Number	L. hose	∅ hose	Max pressure	Inlet-Outlet
	1527110	without hose	-	-	M1/4" G – M1/4" G
	1527111	without hose	-	-	M3/8" G – M3/8" G
	1527113	without hose	-	-	M1/2" – M1/2"
	1527183	10 m	1/4"	400 bar	M1/4" G – M1/4" G
	1527184	15 m	1/4"	400 bar	M1/4" G – M1/4" G
	1527112	10 m	3/8"	330 bar	M3/8" G – M3/8" G
	1527114	10 m	1/2"	275 bar	M1/2" G – M1/2" G

F-460	Part Number	L. hose	∅ hose	Max pressure	Inlet-Outlet
	1527118	without hose	-	-	M1/4" G – M1/4" G
	1527119	without hose	-	-	M3/8" G – M3/8" G
	1527120	without hose	-	-	M1/2" G – M1/2" G
	1527117	18 m	1/4"	400 bar	M1/4" G – M1/4" G
	1527185	15 m	3/8"	330 bar	M3/8" G – M3/8" G
	1527121	15 m	1/2"	275 bar	M1/2" G – M1/2" G

F-550	Part Number	L. hose	∅ hose	Max pressure	Inlet-Outlet
	1527124	without hose	-	-	M3/8" G – M3/8" G
	1527127	without hose	-	-	M1/2" G – M1/2" G
	1527125	20 m	3/8"	330 bar	M3/8" G – M3/8" G
	1527126	25 m	3/8"	330 bar	M3/8" G – M3/8" G
	1527128	20 m	1/2"	275 bar	M1/2" G – M1/2" G
	1527129	25 m	1/2"	275 bar	M1/2" G – M1/2" G

F-555	Part Number	L. hose	∅ hose	Max pressure	Inlet-Outlet
	1527136	without hose	-	-	M3/8" G – M3/8" G
	1527138	without hose	-	-	M1/2" G – M1/2" G
	1527137	30 m	3/8"	330 bar	M3/8" G – M3/8" G
	1527139	30 m	1/2"	275 bar	M1/2" G – M1/2" G

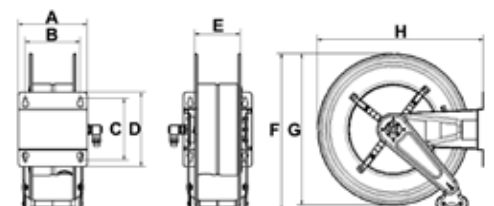


Equipped with:

- Black synthetic rubber hoses 2SC
- Galvanized steel connections
- Galvanized steel 90°swivelling joints
- Polyurethane seals

Overall dimensions fixed version:

Mod.	A	B	C	D	E	F	G	H
F-400	158	120	168	192	95	460	400	435
F-460	158	120	168	192	95	490	460	490
F-550	200	150	225	270	120	590	550	600
F-555	250	200	225	270	170	590	550	600



F-400	Part Number	L. hose	Ø hose	Max pressure	Inlet-Outlet
	1527115	without hose	-	-	F1/2"G – M1/2"G
	1527116	10 m	1/2"	20 bar	F1/2"G – M1/2"G

F-460	Part Number	L. hose	Ø hose	Max pressure	Inlet-Outlet
	1527122	without hose	-	-	F1/2"G – M1/2"G
	1527123	15 m	1/2"	20 bar	F1/2"G – M1/2"G

F-550	Part Number	L. hose	Ø hose	Max pressure	Inlet-Outlet
	1527130	without hose	-	-	F1/2"G – M1/2"G
	1527133	without hose	-	-	F1"G – M3/4"G
	1527131	20 m	1/2"	20 bar	F1/2"G – M1/2"G
	1527132	25 m	1/2"	20 bar	F1/2"G – M 1/2"G
	1527134	10 m	3/4"	20 bar	F1"G – M3/4"G
	1527135	15 m	3/4"	20 bar	F1"G – M3/4"G

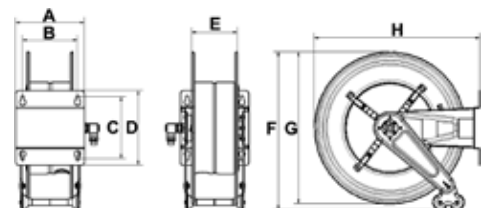
F-555	Part Number	L. hose	Ø hose	Max pressure	Inlet-Outlet
	1527140	without hose	-	-	F1"G – M3/4"G
	1527141	20 m	3/4"	20 bar	F1"G – M3/4"G

Equipped with:

- Black antistatic synthetic rubber EPDM hoses
- AISI 316 stainless steel connections
- Stainless steel 90°swivelling joint
- Viton® seals
- Stainless steel reel shaft

Overall dimensions fixed version:

Mod.	A	B	C	D	E	F	G	H
F-400	158	120	168	192	95	460	400	435
F-460	158	120	168	192	95	490	460	490
F-550	200	150	225	270	120	590	550	600
F-555	250	200	225	270	170	590	550	600



	Part Number	L. hose	Ø hose	Max pressure	Inlet-Outlet
FA-600	1527144	without hose	-	20 bar	F1.1/2" G – F1.1/2" G
	1527142	15 m	1.1/4"	20 bar	F1.1/2" G – M1.1/2" G
	1527143	20 m	1.1/4"	20 bar	F1.1/2" G – M1.1/2" G
	1527145	15 m	1.1/2"	20 bar	F1.1/2" G – M1.1/2" G

For air-water 20 bar

Equipped with:

- Black synthetic rubber hoses R6
- Galvanized steel connections
- Anodized aluminum swivelling joint
- Viton® seals

	Part Number	L. hose	Ø hose	Max pressure	Inlet-Outlet
FA-600	1527148	without hose	-	250 bar	F1.1/2" G – F1.1/2" G
	1527146	15 m	1.1/4"	63 bar	F1.1/2" G – M1.1/2" G
	1527147	20 m	1.1/4"	63 bar	F1.1/2" G – M1.1/2" G
	1527149	15 m	1.1/2"	50 bar	F1.1/2" G – M1.1/2" G

For oil and lubricant 250 bar

Equipped with:

- Black synthetic rubber hoses 1SC
- Galvanized steel connections
- Galvanized steel swivelling joint
- NBR seals

	Part Number	L. hose	Ø hose	Max pressure	Inlet-Outlet
FA-600	1527150	without hose		20 bar	F1.1/2" G – F1.1/2" G
	1527151	15 m	1.1/2"	10 bar	F1.1/2" G – M1.1/2" G

For diesel 10 bar

Equipped with:

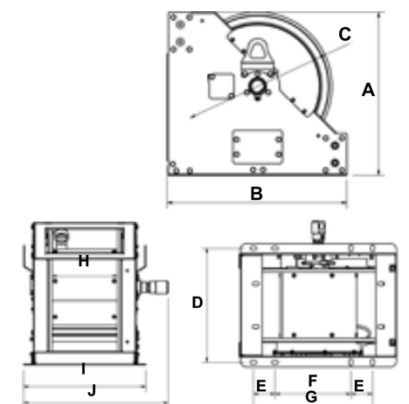
- Black antistatic synthetic rubber hoses steel wire helix with high strength synthetic textile plies, copper wire
- Galvanized steel connections
- Anodized aluminum swivelling joint
- Viton® seals

Overall dimensions:

Mod.	A	B	C	D	E	F	G	H	I	J
FA-601	660	725	600	530	100	350	550	330	575	680

Automatic auto-retractable hose reel in painted steel, designed for applications which require solid equipment, also on vehicles.

It is suitable for flexible hoses of maximum Ø of 1.1/2" for the distribution of compressed air, oil and similar fluids, fuels. They can have two different hose output positions: superior and inferior.



C2319PE WK 30/23

DropsA products can be purchased at DropsA branches and authorised distributors. Go to www.dropsa.com/contact or write to sales@dropsa.com

Distributor info: