



CHARACTERISTICS

- **LUBRICANT: OIL / GREASE**
- **ATEX CE Ex II2 GD MARKING**
- **BASE THREADS**
- **INLETS: BSP AND NPTF**
- **2 VERSIONS:**
- **NORMAL: ADJUSTABLE DELIVERY ON TURRET**
- **FIX "F" FIXED DELIVERY**
- **VERSATILITY IN LUBRICATION LAYOUT PLANNING**
- **FLEXIBILITY TO EXPAND OR REDUCE THE NUMBER OF ELEMENTS TO MEET CHANGING REQUIREMENTS**
- **BLANKING PLATES CAN BE PROVIDED TO ACCOMMODATE FUTURE REQUIREMENTS**
- **SAVE ON LABOUR AND PIPING COSTS: THE METERING VALVES CAN BE SERVICED WITHOUT DISTURBING THE ASSEMBLY OR EXISTING PIPEWORK**
- **LOWER MAINTENANCE COSTS: THE MODULAR CONCEPT PROVIDES LOWER COST REPLACEMENT COMPONENTS.**
- **REDUCED SPARE PARTS, FEWER PARTS IN STOCK= LOWER INVENTORY COSTS**

APPLICATIONS

- **PAPER MACHINES**
- **STEEL PLANTS**
- **CEMENTS WORKS**
- **COKE PLANTS**
- **LARGE CRANES AND LOADING EQUIPMENT**

DUAL LINE LUBRICATION DIVIDER VALVES

The modular Dual Line systems are designed of two main parts: **the Base and the Metering Valves**.

All modular dual line elements and bases are made with anti-corrosion treatment, in nickel plated or in SS 316.

Available with BSP or NPTF inlet and outlet tread.

The Metering Valves can be supplied with adjustable or fixed discharge.

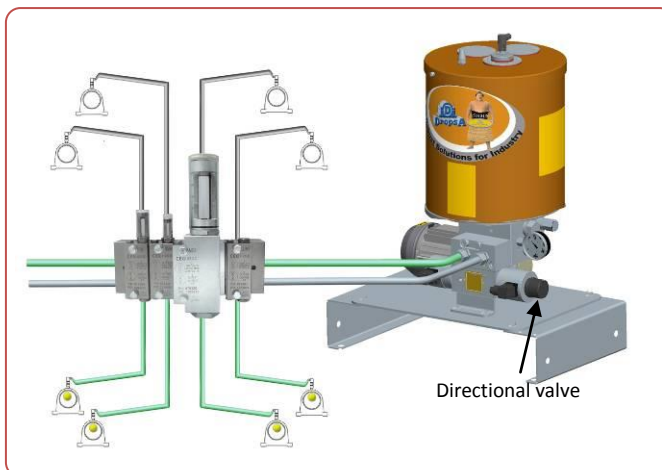
The Valves with adjustable discharge are fitted with turrets provided with integral adjusting screws together with a metacrylate cover and seal. A 'blanking plate' to be ordered separately, can be provided on the base to accommodate future additional points.

The Dual line elements now marked with a new laser marking system directly on the Nickel Plated element indicate the following information:

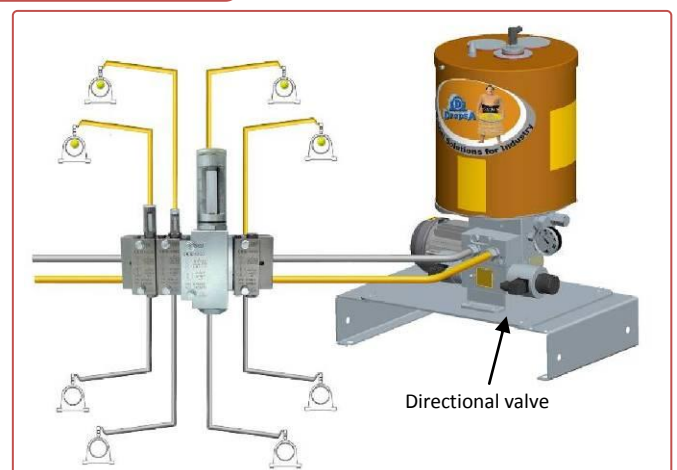
ATEX CE Ex II2 GD Marking - Single and Dual Outlet configuration information and Output values in cm³ and Cu.inch - Part Number and Work Order Production (batch) identification.



APPLICATION EXAMPLE



PRESSURE LINE 1



PRESSURE LINE 2

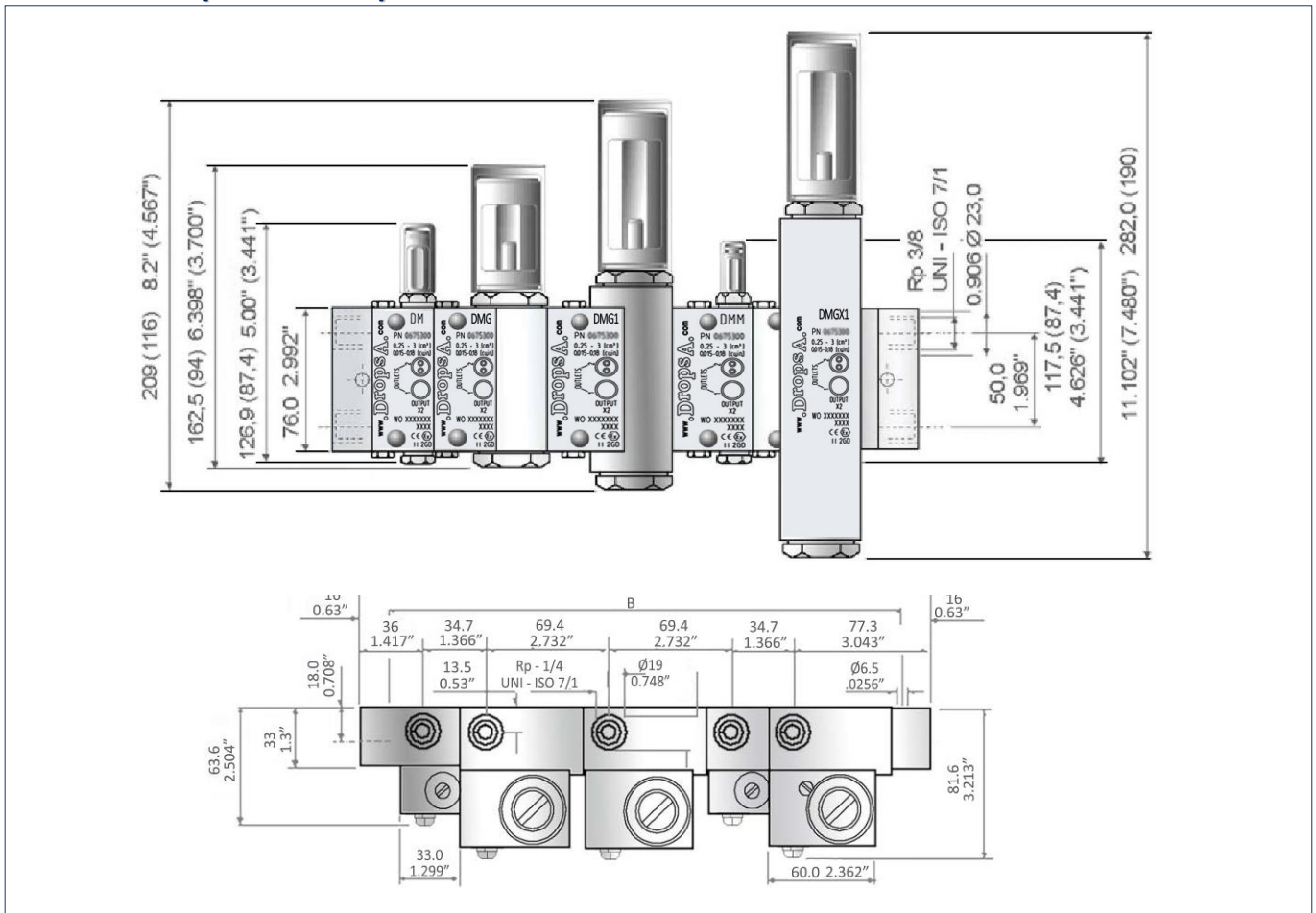


MODULAR DUAL LINE VALVE

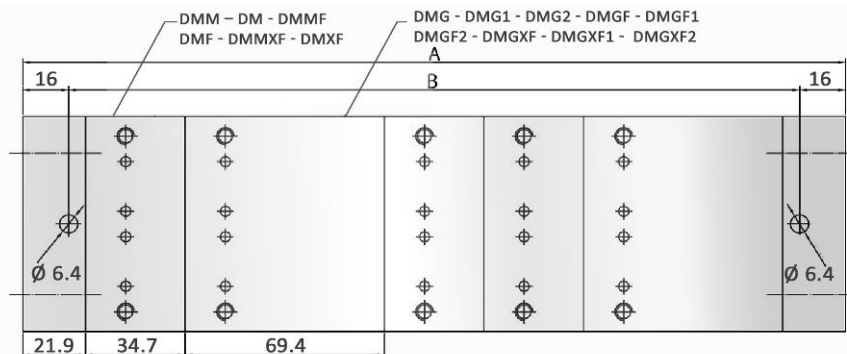
TECHNICAL CHARACTERISTICS

Temperature	22 °F ÷ 176°F (-30 °C ÷ +80 °C)	
Frequency	100 cycles/minute.	
Max. Pressure (inlet)	5800 psi (400 bar)	
Lubricants	Min. Viscosity.: 100 cSt Max Grease.: 265 ASTM (NLGI 2)	
Base threads	Inlet: 3/8" BSP o 3/8" NPTF. Outlet: 1/4" BSP o 1/4" NPTF.	
Flow rate	Fixed	DMMF-DMF-DBP-DMMXF-DMXF-DMGX1-DMGX2-DBPX
	Adjustable	DMM - DM - DMG - DMG1 - DMG2 - DBP-DMMX-DMX-DMGX-DMGX1-DMGX2-DBPX

DIMENSIONS (NOT TO SCALE)



Many possible configurations can be achieved by mounting different types of intermediate bases. The example on the right shows a typical configuration. You can obtain **A** and **B** Dimensions by adding up the various dimensions of each type of base.

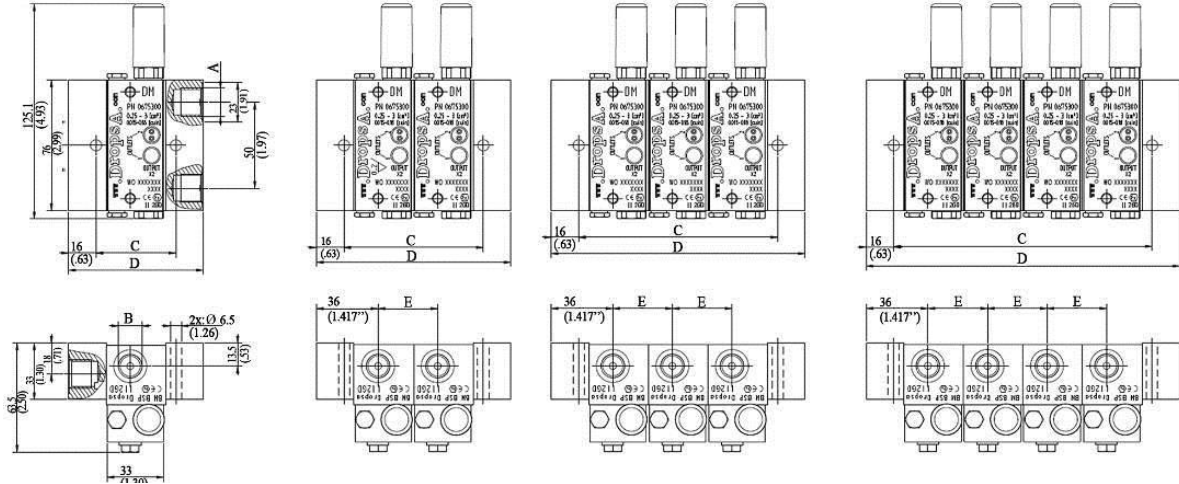


A	B
286.7 mm	254.7 mm
DMG - DMG1 - DMG2 - DMGF - DMGF1 - DMGF2 - DMGX1 - DMGX2	DMM - DM - DMMF - DMF - DMMXF - DMXF
69.4 mm	34.7 mm



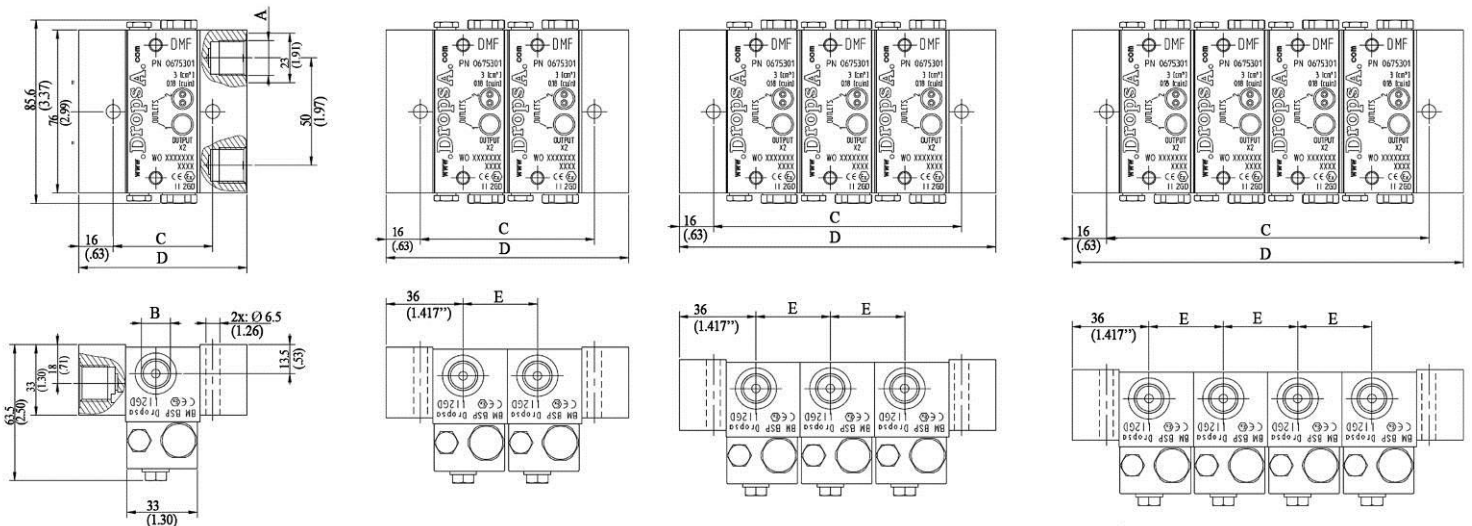
PRE – ASSEMBLED VALVE ORDERING MODULE

DM- DMM VALEVS WITH TURRET - ADJUSTABLE FLOWRATE



MODELS	FLOWRATE cm ³ (cu.in)	n. OUTPUT	BSP	NPTF	DIMENSIONS				
					A	B	C	D	E
DM	From 0.25 to 3 (.015 - .183)	2	0675101	0675107	3/8	1/4	46.5 (1.83")	78.5 (3.09")	34.7
		4	0675102	0675108			81.2 (3.19")	113.2 (4.45")	
		6	0675103	0675109			115.9 (4.5")	147.9 (5.82")	
		8	0675104	0675110			150.6 (5.93")	182 (7.19")	
		10	0675105	0675111			185.3 (7.29")	217.3 (8.55")	
		12	0675106	0675112			220 (8.66")	252 (9.92")	
		14	0675979	0675956			254.7(10")	286.7 (11.28")	
DMM	From 0.1 to 1 (.006-.061)	2	0675015	0675045	3/8	1/4	46.5 (1.83")	78.5 (3.09")	34.7
		4	0675016	0675046			81.2 (3.19")	113.2 (4.45")	
		6	0675017	0675047			115.9 (4.5")	147.9 (5.82")	
		8	0675018	0675048			150.6 (5.93")	182 (7.19")	

DMF AND DMMF VALVE WITHOUT TURRET – FIXED FLOWRATE



MODELS	FLOWRATE cm ³ (cu.in)	N. OUTPUT	BSP	NPTF	DIMENSIONS				
					A	B	C	D	E
DMF	3 (.183)	2	0675075	0675114	3/8	1/4	46.5 (1.83")	78.5 (3.09")	34.7
		4	0675076	0675115			81.2 (3.19")	113.2 (4.45")	
		6	0675077	0675116			115.9 (4.5")	147.9 (5.82")	
		8	0675078	0675117			150.6 (5.93")	182 (7.19")	
DMMF	1 (.061)	2	0675144	0675174	3/8	1/4	46.5 (1.83")	78.5 (3.09")	34.7
		4	0675145	0675175			81.2 (3.19")	113.2 (4.45")	
		6	0675146	0675176			115.9 (4.5")	147.9 (5.82")	
		8	0675147	0675177			150.6 (5.93")	182 (7.19")	



MODULAR DUAL LINE VALVE

CONFIGURATION INFORMATION

IN FEW STEPS YOU CAN COMPOSE DIFFERENT KIND OF MODULES AS YOU NEED:

1. MATERIAL

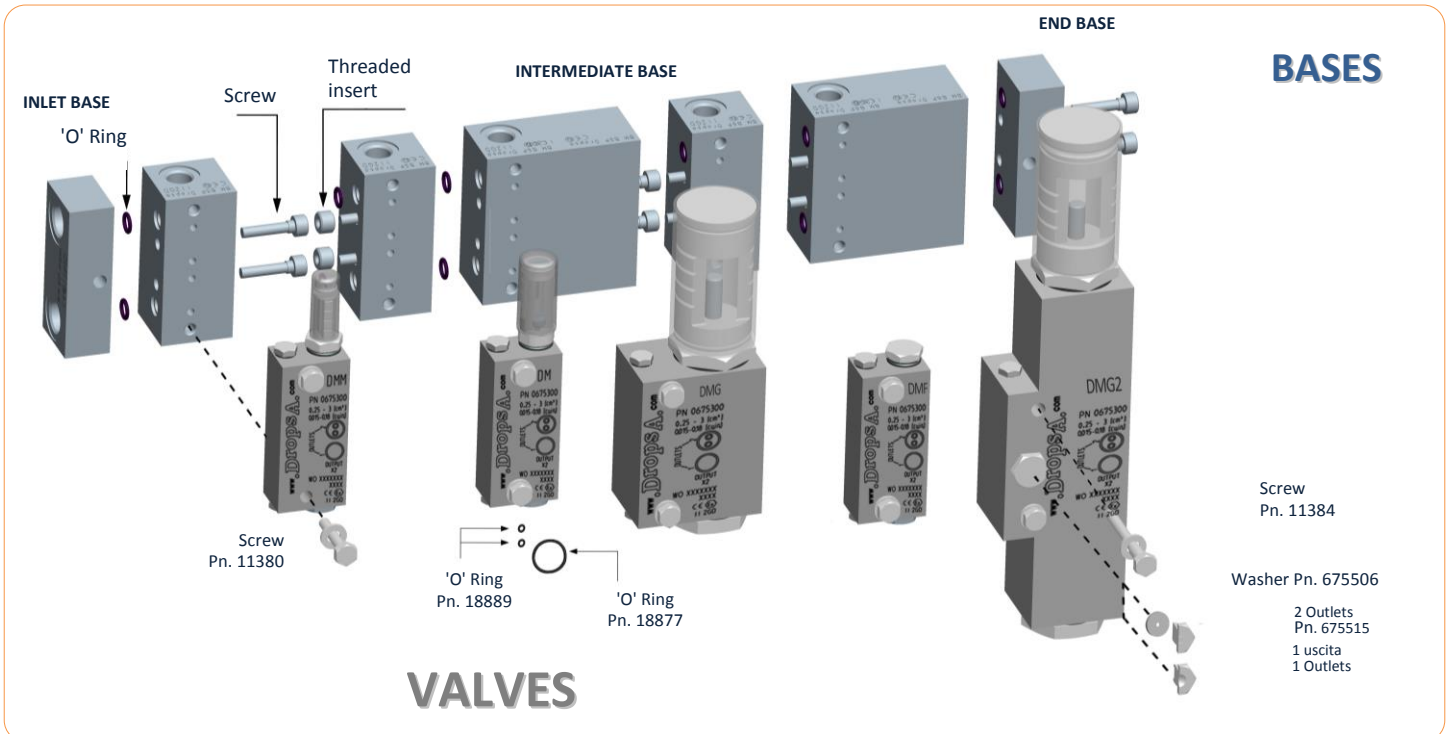
2. VALVES

3. INTERMEDIATE BASE

4. INLET BASE

5. END BASE

	FLOWRATE cm ³ (cu.in.)	VALVES	PART. NO	INTERMEDIATE BASE 1/4" valves		INLET BASE for 3/8" valves		END BASE for 3/8" valves	
				NPTF	BSP	NPTF	BSP	NPTF	BSP
NICKEL PLATED	0,1-1 (.006-.061)	DMM	0675335						
	0,25-3 (.015-.183)	DM	0675300						
	1 (.061)	DMMF	0675385	0675322	0675312				
	3 (.183)	DMF	0675301						
	0,5-24 (.031-1.46)	DMG	0675310			0675321	0675311	0675323	0675313
	0,5-40 (.031-2.44)	DMG1	0675320	0675324	0675314				
	49-88 (2.98-5.3)	DMG2	0675330						
	Blanking Plate as an alternative to the valve		0675305						
AISI 316	0,1-1 (.006-.061)	DMMX	0675635						
	0,25-3 (.015-.183)	DMX	0675600	0675072	0675012				
	1 (.061)	DMMFX	0675685						
	3 (.183)	DMFX	0675601			0675071	0675011	0675073	0675013
	0,5-24 (.031-1.46)	DMGX	0675610						
	0,5-40 (.031-2.44)	DMG1X	0675620	0675074	0675014				
	49-88 (2.98-5.3)	DMG2X	0675630						
	Blanking Plate as an alternative to the valve		0675605						



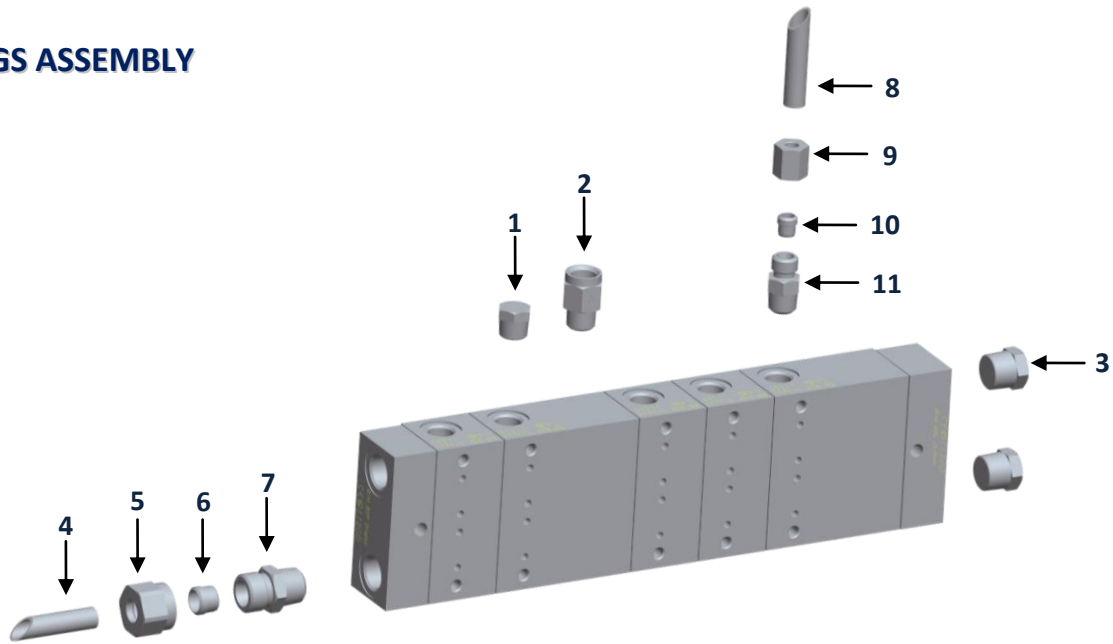
6. SCREWS *Ordered separately only for DM-DMM-DMF-DMMF models*

* Sold in boxes of 500 or add the "-1" suffix for purchasing in single multiples

DESCRIPTION	PART No.
Dual Line Bases Assembly screws	0014090 *
Dual Line Bases threaded Inserts	1523343 *
Dual Line Elements Assembly Screw	0011380 *
Washer for Dual Line Element	0016080 *
Base and Element Kit (2 Element Assembly Screw for +2 washer +2 Base threaded Inserts + 4 Base Assembly)	3140768

TUBING AND FITTINGS

FITTINGS ASSEMBLY



ITEM	DESCRIPTION	TURRET COVER	
		NICKEL PLATED	AISI 316
1	PLUG BSP	0926001	0519061
	PLUG NPTF	0643213	0519071
2	CHECK VALVE BSP	0092313	0519900
	CHECK VALVE NPTF	0092340	0519901
3	PLUG BSP	0926002	0519062
	PLUGNPTF	0850305	0519072
4	TUBE Ø10	5119808	5244112
	TUBE Ø12	5119809	5244113
	TUBE Ø16	5119801	5244115
5	NUT Ø10	0091406	0519045
	NUT Ø12	0091411	0519046
	NUT Ø16	0091416	519048
6	RING Ø10	0091601	0519015
	RING Ø12	0091607	0519016
	RING Ø16	0091612	0519018
7	3/8" CONNECTOR Ø10	0091967	0519115
	3/8" CONNECTOR Ø12	0091975	0519116
	3/8" CONNECTOR Ø16	0091983	0519127
	3/8" CONN'TR STEEL Ø10	0091652	0519142
	3/8" CONN'TR STEEL Ø12	0091653	0519143
	3/8" CONN'TR STEEL Ø16	0091664	0519154
8	TUBE Ø6	5119812	5244110
	TUBE Ø8	5119813	5244111
9	TUBE Ø10	5119808	5244112
	NUT Ø6	0091396	0519043
	NUT Ø8	0091401	0519044
10	NUT Ø10	0091406	0519045
	RING Ø6	0091590	0519013
	RING Ø8	0091596	0519014
11	RING Ø10	0091601	0519015
	¼" CONNECTOR Ø6	0091952	0519113
	¼" CONNECTOR Ø8	0091959	0519114
	¼" CONNECTOR Ø10	0091966	0519123
	¼" CONN'TR VITON Ø6	0091650	0519140
	¼" CONN'TR VITON Ø8	0091651	0519141
	¼" CONN'TR VITON Ø10	0091660	0519150

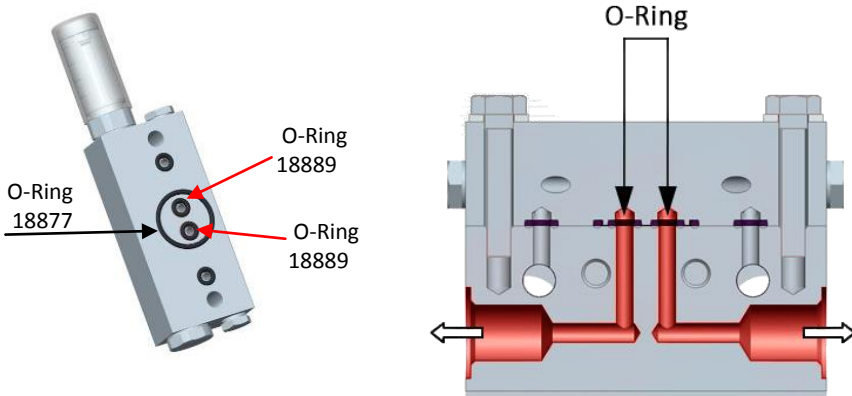
Material	Mark	Part No.
Transparent Plastic	DM-DMM-DMX-	0671095
Aluminum	DM-DMM-DMX-DMMX	0618215+3190310
Transparent Plastic	DMG-DMGX	0675524
Transparent Plastic	DMG1-DMGX1 - DMG2-DMGX2	0675525

REDUCTION	Part No.
Riduzione M 1/4 NPTF - F 1/4 BSP	3077166
Riduzione M 3/8 NPTF - F 3/8 BSP	3077165
Riduzione M 1/4 BSP - F 1/4 NPTF	3077059
Riduzione M 3/8 BSP - F 3/8 NPTF	3077128

TURRET SPARE PART	Part No.
DM	0675638
DMM	0675636

HOW TO CONVERT FROM ONE AT 2 OUTLETS

2 OUTLETS



The valves are arranged for 2 free outlets.

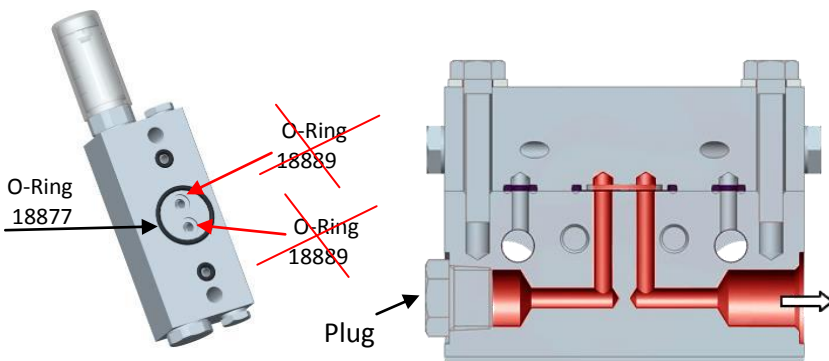
To convert to a single outlet:

- Undo the fixing screws
- Turn over the element and remove the 2 inner small O-rings (part no. 18889)
- Fit the element back in place

NOTE

For series DMG2 only: remove the adapter Part no. 675515 and gasket Part no.675506 and replace with Part no. 675516.

1 OUTLET



IMPORTANT: Remember to plug off the redundant outlet.

Use Plug part no.926001 (UNI-ISO) or Part no. 850304 (NPTF).

COMPLETED MODULE EXAMPLE

