



MANUAL PUMP SERIES 3106000

CHARACTERISTICS

- COMPATIBLE WITH
- 33V SYSTEM
- 01 SYSTEM
- RESERVOIR
CAPACITY: 1L
- FLOW RATE:
10 cc/STROKE
- WORKING
TEMPERATURE:
+5°C TO +40 °C

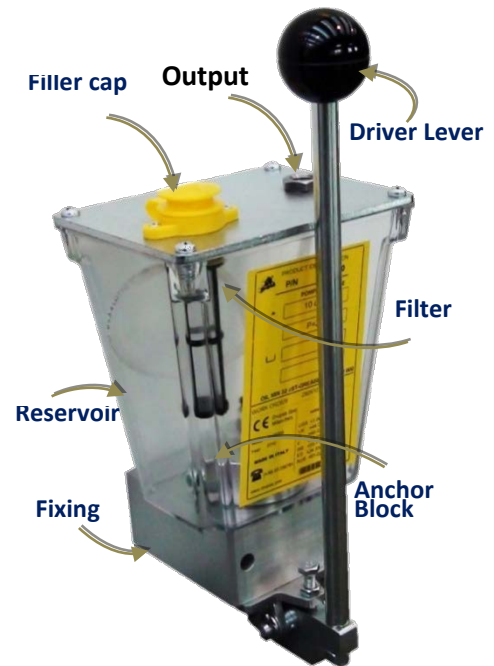
FOR OIL AND FLUID GREASE INJECTOR TYPE LUBRICATION SYSTEMS

THE RUGGED AND RELIABLE MANUAL PUMP SOLUTION FOR INJECTOR (33V) SYSTEMS.

The rugged and reliable **Manual Pump Series 3106000** is designed for use in oil and fluid grease NLGI000 lubrication systems.

EASY:

The manual pump 3106000 is an easy to use manual pump package. Operation is simple – just pull the front located operating handle to pressurize the lubrication lines. When the lever returns to original rest position the vent mechanism allows the lubrication lines to vent, resetting the injectors for the next lubrication cycle.



APPLICATIONS

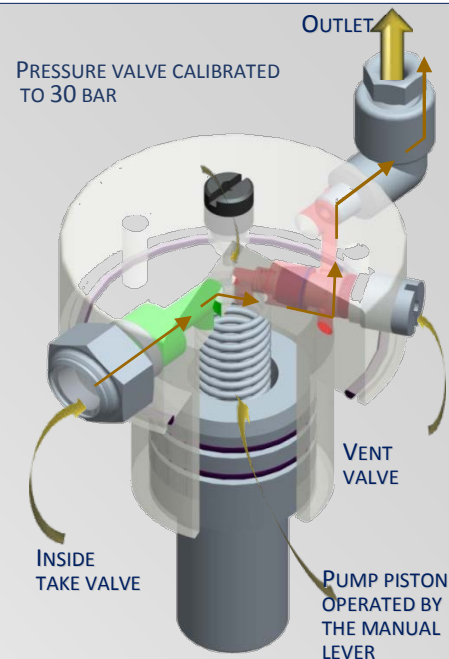
- SMALL MACHINE TOOLS
- WOOD WORKING MACHINES
- GLASS MACHINERY
- MARBLE WORKING MACHINES
- ANY SMALL LUBRICATION SYSTEM USING INJECTORS (33V TYPE)
- APPLICATIONS THAT REQUIRE A SIMPLE ENTRY LEVEL MANUALLY OPERATED PUMP OR WHERE POWER IS NOT AVAILABLE

OPERATING PRINCIPLE:

The operating lever mechanism acts on the Pump piston and pressurizes lubricant towards the outlet.

The spring return mechanism returns pump piston and operating lever to its starting position and re-charging the pump chamber through the Intake valve. As the pump piston returns to its starting position, the vent valve releases the pressure in the outlet line.

Additionally, there is a pressure valve that limits the maximum pressure to 30Bar during the pumping phase.

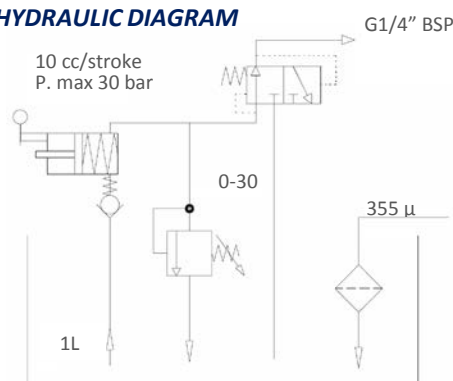


SUITABLE LUBRICATION SYSTEMS

- ANY OIL OR FLUID GREASE INJECTOR TYPE LUBRICATION SYSTEM (EG. 33V) WITH A WORKING PRESSURE <30 BAR (435 PSI) AND OUTPUT/CYCLE <10cc(*)
- LUBRICATION SYSTEM WITH ORIFICE OR RESTRICTOR DEVICES WITH WORKING PRESSURES <20 BAR (290 PSI) – 01 SYSTEM (*)

(*) YOU MUST ALSO CONSIDER FLOW AND PRESSURE LOSS NEEDED TO OPERATE THE SYSTEM

HYDRAULIC DIAGRAM





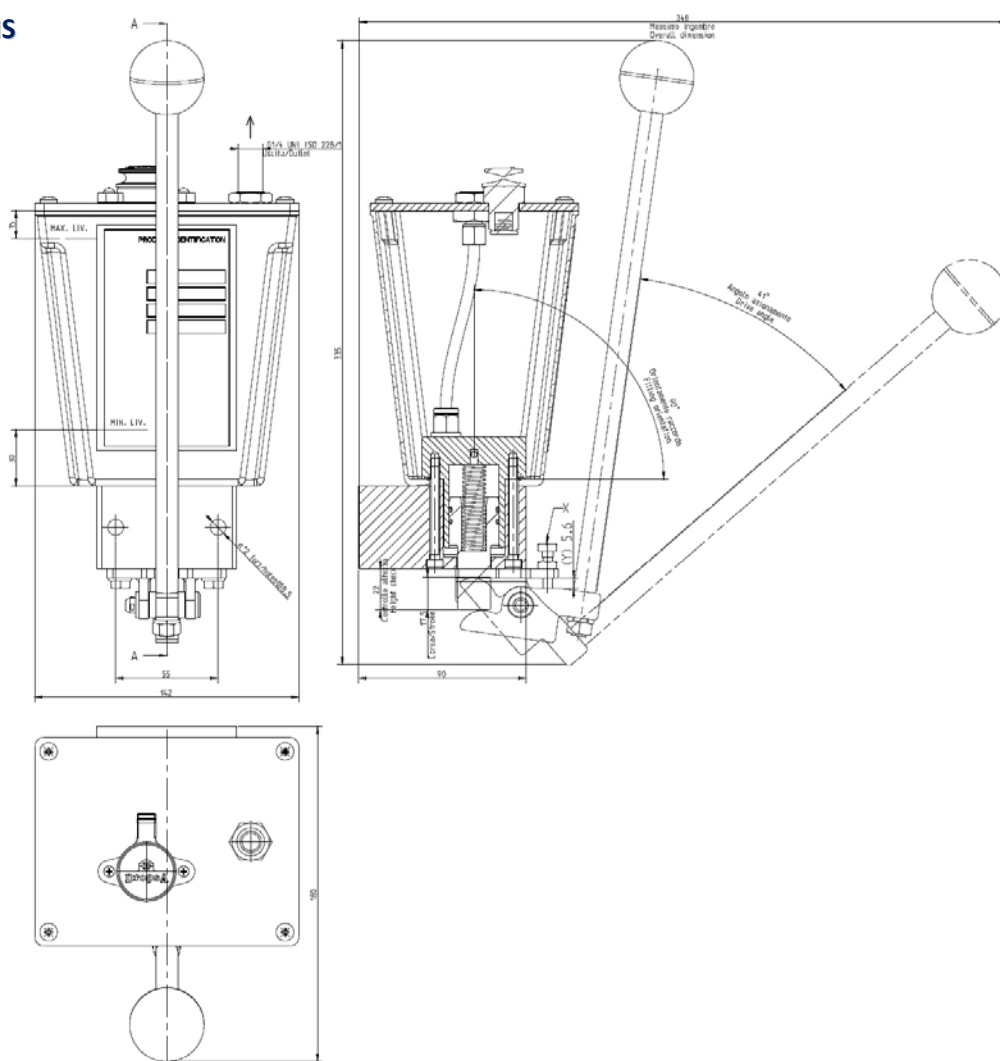
MANUAL PUMP

SERIES 3106000

TECHNICAL INFORMATION

TECHNICAL CHARACTERISTICS	
Operating Type	Manual
Pumping system	Piston
Max. operating pressures	30 bar (435 psi)
Reservoir capacity	1 L
Delivery	10 cc/stroke (effective 5cc/stroke)
Output	1/4" BSP
Working temperature	+ 5 ÷ + 40 °C
Lubricants allowed	Mineral Oil 32÷1000 cSt/ NLG1000 Fluid Grease
Max operating force	20 Kg

OVERALL DIMENSIONS



ORDERING INFORMATION

STANDARD VERSION	
DESCRIPTION	Part Number
MANUAL PUMP (30 bar)	3106000
ACCESSORIES	
DESCRIPTION	Part Number
Pressure gauge + fitting	0020553 + 3085250
Mounting bracket	3106117

Distributor Info:

C2157PE WK 35/10

Dropsa products can be purchased at Dropsa branches and authorised distributors. Go to www.dropsa.com/contact or write to sales@dropsa.com