



SMILE

CHARACTERISTICS

- **MAX FLOW RATE:**
5 CM³ / CYCLE
- **MAX PRESSURE:**
3 BAR (44.1 PSI)
- **MIN PRESSURE:**
1 BAR (14.7 PSI)

SMILE, FOR LOW COST OIL LUBRICATION

THE MOST EFFECTIVE ENTRY LEVEL MANUAL OIL LUBRICATION PUMP FOR SMALL MACHINERY.

EFFECTIVE, LOW-COST AND RELIABLE

SMILE! Quality, compactness and reliability at an unbeatable price.
The **SMILE** Manual Pump is one of the most effective low-cost entry level manual pumps.

It can be used as a single point lubrication pump or on an Orifice Metering System to provide oil lubrication on many small machines.



FEATURES:

- Up to 5 cm³ per cycle
- Practical and elegant transparent reservoir.
- Incorporates Outlet Manifold block.
- Standard Pressure gauge can be fitted on outlet.
- Snap-on Refilling cap and filter for safe operation.
- Patented Pump mechanism is both simple and reliable.
- Number of parts reduced by over 50% compared to previous versions.

APPLICATIONS

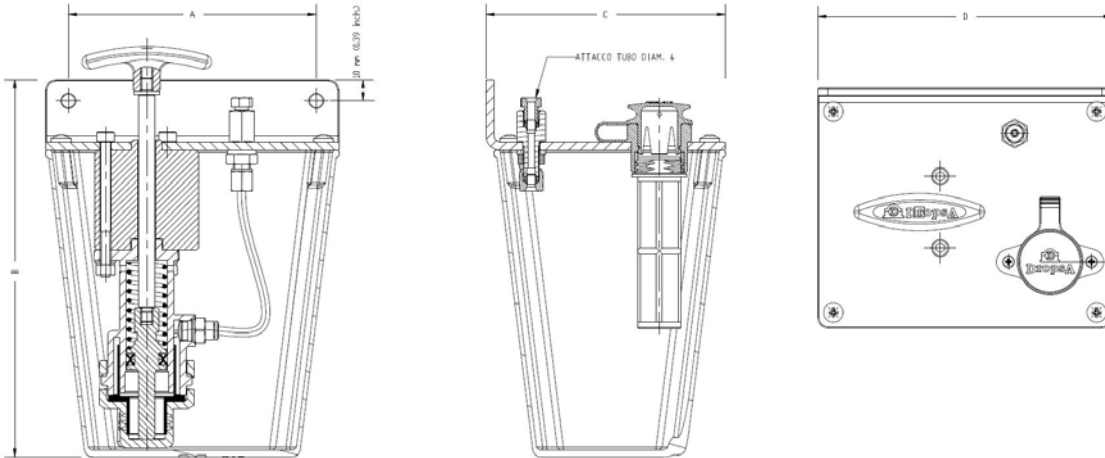
- SINGLE LINE
O1 SYSTEM

TECHNICAL INFORMATION

TECHNICAL CHARACTERISTICS	
Delivery	5 cm ³ per cycle (0.3 cu.in / cycle)
Max Pressure	3 bar (44.1 psi)
Min Pressure	1 bar (14.7 psi)
Reservoir capacity	500 cm ³ - (30.5 cu.in) 1000 cm ³ - (61 cu.in) 3000 cm ³
Operating temperature	23 °F ÷ +131 °F (-5 ÷ +55 °C)
Humidity	90% max
Lubricants	Mineral oils
Oil Viscosity at Working Temperature	32 ÷ 220 cSt (150 ÷ 1018 SUS)

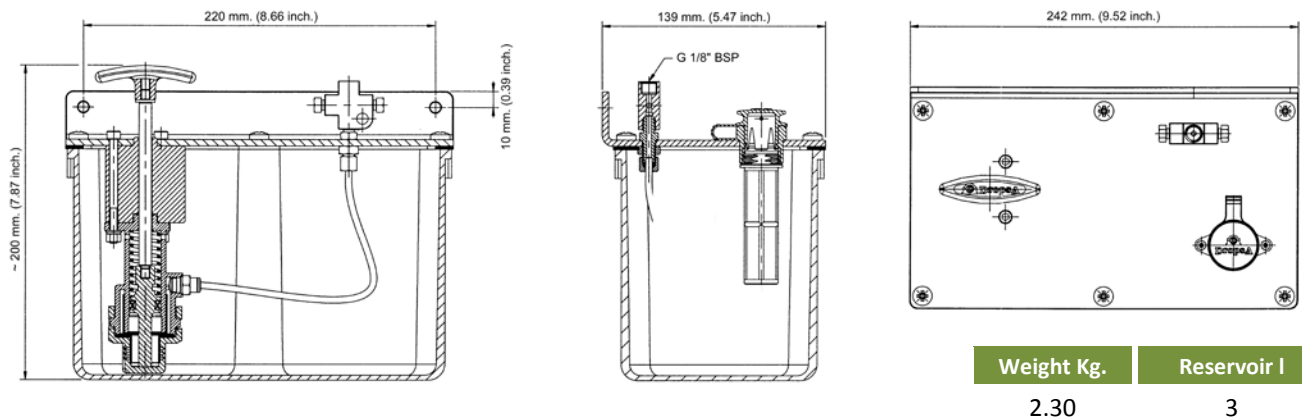
DIMENSIONS

0.5 l and 1 l Versions



DIMENSIONS				WEIGHT	RESERVOIR
A	B	C	D	Kg.	Lt.
100 mm (3.93 inch.)	150 mm (5.90 inch.)	94 mm (3.70 inch.)	120 mm (4.72 inch.)	0.75	0.5
120 mm (4.72 inch.)	198 mm (7.79 inch.)	116 mm (4.56 inch.)	142 mm (5.59 inch.)	1.40	1

3 l Version



Weight Kg.	Reservoir l
2.30	3

ORDERING INFORMATION

DESCRIPTION	RESERVOIR	PART NUMBER
SMILE manual pump	0.50 l	0012140
	1l	0012150
	3 l	0012160

ACCESSORIES	PART NUMBER
Nylon tube \varnothing 4x3	5717300
1/8 Push-in for \varnothing 4 tube	0910102
5/16 Push-in for \varnothing 4 tube	3084612
Manometer 1/8	0020557
Plug 1/8	3232098

Distributor Info: