

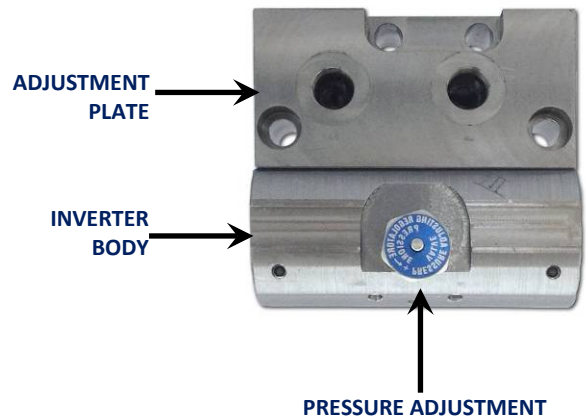
HYDRAULIC INVERTER FOR DUAL LINE SYSTEMS

The hydraulic inverter has been designed to invert lubricant flow in discharge line of a dual-line system.

It can be used with either oil or grease to a maximum pressure of 4351 psi (**300 bar**).

Equipped with only one turret, unlike the other inverters of our production, it allows to calibrate the pressure of both discharge lines with a single adjustment.

The inverter, mounted on the SUMO and Mini-SUMO, allows these two electric pumps to be used on dual-line systems, without necessity of an external control of line inversions.



Mounting plate
Ideal for **SUMO** and **Mini-SUMO** pumps

HYDRAULIC DIAGRAM

HYDRAULIC INVERTER ASSEMBLED ON Mini-SUMO and SUMO ELECTRIC PUMPS

SUMO

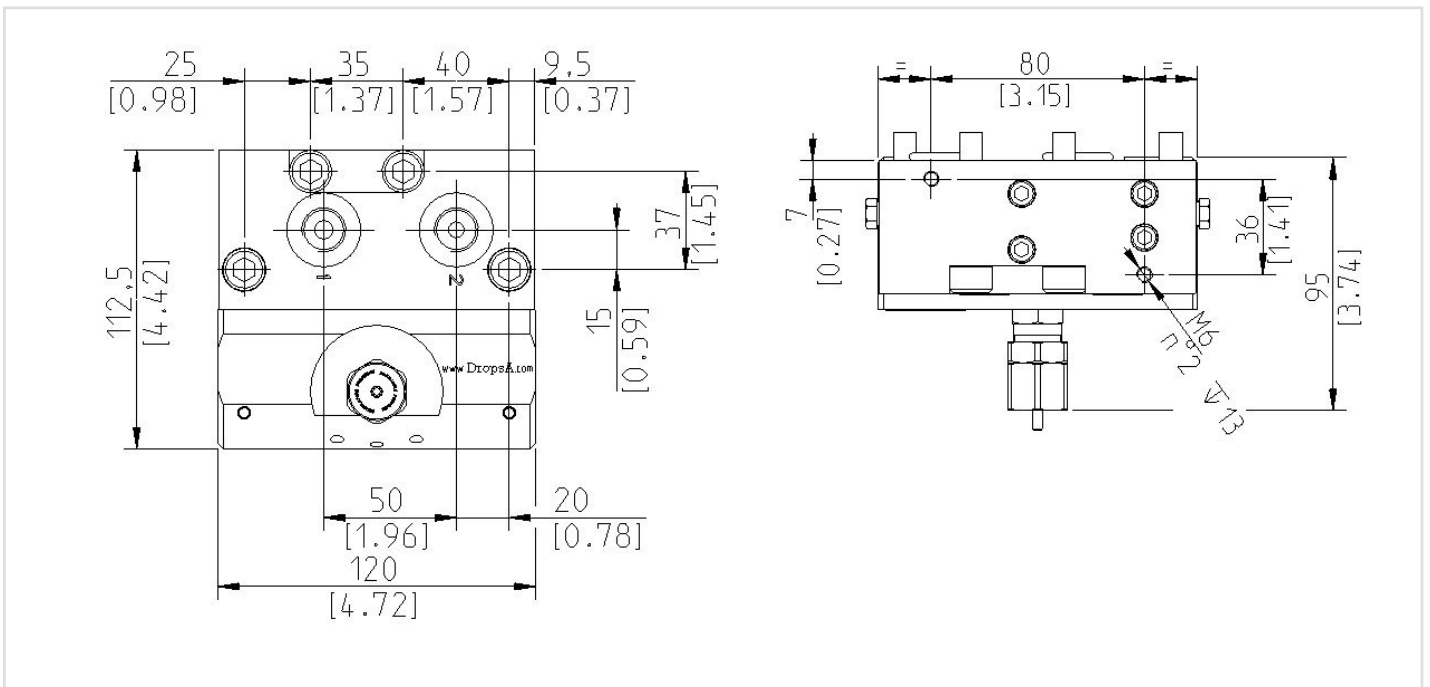
The hydraulic inverter shown in these pictures is equipped with pressure gauges (not standard), which displays the pressures in discharge lines.

Mini-SUMO

TECHNICAL INFORMATION

TECHNICAL CHARACTERISTICS	
Max flow rate	400 cc/min
Max working pressure	4350 psi (300 bar)
Outlet and inlet connection	G3/8" BSP
Temperature of use	23 ÷ 122 °F (- 5 ÷ + 50 °C)
Humidity	90 % rel. humidity
Lubricants	Max grease NLGI2 - Min Oil 100 cst
Storage temperature	- 4 ÷ 149 °F (-20 ÷ +65 °C)
Weight	4.5 Kg
Pressure adjustment	870 ÷ 4351 psi (60÷300 bar) - pre-calibrated 3600 psi (250 bar)

DIMENSIONS (NOT IN SCALE)



ORDERING INFORMATION

	Description	Part No.		Q.ty
	HYDRAULIC INVERTER for SUMO and Mini-SUMO	0086450	<input type="radio"/>	_____
OPTIONAL	Pressure gauges kit (Fittings + pressure gauges)	3133910	<input type="radio"/>	_____
	Ultrasensor	1655305	<input type="radio"/>	_____
	M12 female connector	0039999	<input type="radio"/>	_____
	M12 female connector + cable L 5 mt	0039815	<input type="radio"/>	_____
SPARE PARTS	Sealing gaskets between inverter and pump (It takes two for each inverter)	3190500	<input type="radio"/>	_____
	Right pressure gauge	3292172	<input type="radio"/>	_____
	Left Pressure gauge	3292171	<input type="radio"/>	_____

Distributor Info: