

## CARATTERISTICHE

- **Compression rate:**  
see table;
- **Delivery:**  
see table;
- **Air driven pressure:**  
14 bar max.;
- **Air inlet:**  
G ¾ UNI-ISO 228/1  
(3/4" BSP);
- **Air outlet:**  
G ½ UNI-ISO 228/1  
(3/4" BSP);
- **Weight:**  
25-28 Kg.

## For Oil or Grease and Non-corrosive Fluids

Exceptionally strong, powerful and durable pumps. Suitable for the supply of light, heavy or fibrous lubricants, even at low temperatures. Fits standard commercial drums or large capacity drums.

### Features:

**Air supply valve;** complete with floating slide, held on the seat by the air pressure, self sealing and self cleaning.

**Positive operation;** a double toggle joint correctly positions the distribution valve.

**Corrosion-proof steel rod;** is guided to prevent faulty alignment of the air control valves, chromium plated hardened and lapped, to reduce the wear of the seals to a minimum.

**Wide air discharge;** to reduce the outlet air temperature drop to a minimum for maximum efficiency.

**Minimum friction;** the synthetic rubber air piston slides in a corrosion-proof lapped aluminium cylinder.

**Long-lasting seals;** precision assembly, resilience and quality of the materials used, ensure a good seal for long periods.

**No interruption for adjustment or lubrication;** the air motor is sealed, there are no exposed moving parts.

**Maximum life! No seal;** the piston and cylinder are made of special steel, treated, normalized and micro-lapped.

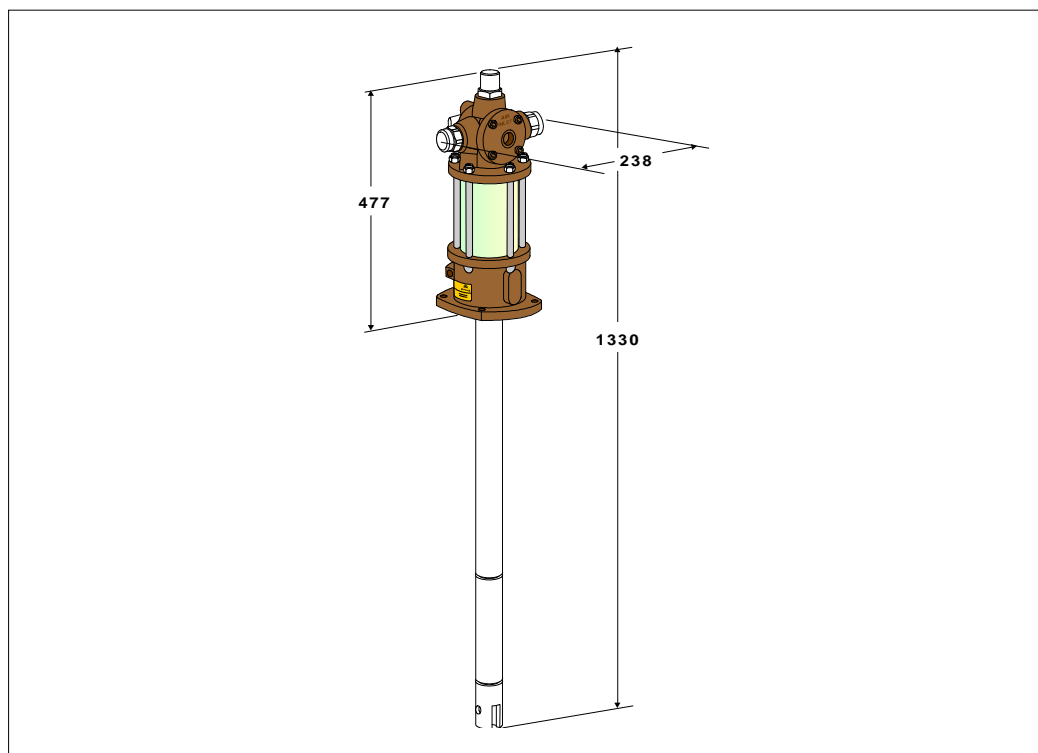
**Double self alignment joint;** with safety spring and square thread.

**Sure priming;** the base valve is made of hardened steel and ensures a perfect seal.

**Forced feed device;** makes it possible to feed very hard lubricants into the compression chamber.



## DIMENSIONS



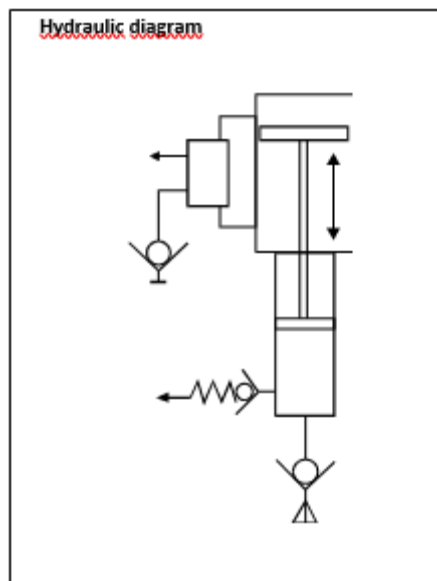
## APPLICAZIONI

- Barrel pumps for oil, grease and other non-corrosive fluids and for refilling reservoirs and for centralized plant feeder.



# Heavy duty Pneumatic Pumps series 400200

## HEAVY DUTY PNEUMATIC PUMPS SERIES 400200 INSTALLATION/OPERATION



### ORDERING INFORMATION

HOW TO ORDER					
PUMP ASSY. PART NO.	AIR MOTOR ONLY PART NO.	PISTON ROD ONLY PART NO.	RATIO	TYPE OF LUBRICANT	DELIVERY AIR PRESSURE 7 BAR.
400200	400100	400170	40:1	Grease NLGI 2	8 Kg./min.
400300	400100	400155	75:1	Grease NLGI 2	5 Kg./min.
400205	400100	400165	25:1	Grease /oil 1000 cSt.	16 ltr./min.
400210	400100	400160	6:1	Oil 1000 cSt.	28 ltr./min.

ACCESSORIES	
PART NUMBER	DESCRIPTION
2034950	Exhaust silencer
0400040	Cover for 180 Kg. Drums

SPARES		
COMPONENT P.NR.	SERVICE KIT P.NR.	
Motor head	400100	2037304
	400100	400294
	400160 for 400210	2037305 for rod pumping
	400165 for 400205	2037306 for rod pumping
	400170 for 400200	2037307 for rod pumping + motor head
Rod pumping	400170 for 400200	400194 gasket for rod pumping
	400170 for 400200	2039930 gasket suction piston
	400155 for 400300	400195 gasket for rod pumping
	400155 for 400300	2034857 for rod pumping + motor head

Distributor info: