

CHARACTERISTICS

- SINGLE ACTING PNEUMATIC PUMP;
- PUMP: 2 cm³ PER CYCLE;
- RATIO: 50:1;
- RESERVOIR CAPACITY 3 litres
- MINIMAL LEVEL SENSOR AS STANDARD;
- AIR SUPPLY PRESSURE: 44 ÷ 88 psi (3 ÷ 6 bar);
- OIL PUMP: 32 -1000 cSt.

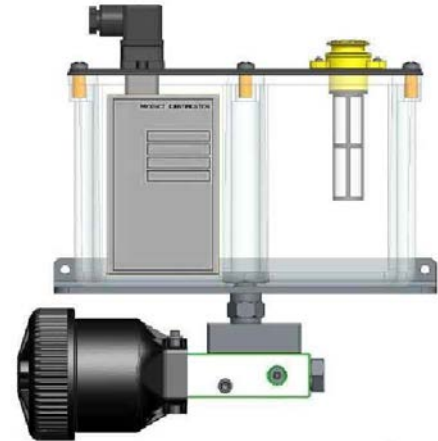
A SIMPLE AND VERSATILE OIL PUMP IDEAL FOR SMALL AND MEDIUM LUBRICATION SYSTEMS

Loco-oil is a single acting pneumatic pump, generally used in lubrication systems with nP - nPr+, SMX, SMO, SMP and SMPM single line progressive systems.

Loco-oil is available with a 3-litre reservoir.

The transparent reservoir allows you to see the remaining quantity of oil clearly and a minimum level sensor allows remote alarm signals to be sent to the monitoring equipment.

Additionally, the reservoir lid can be installed with a High level or a Dropsa continual level sensing device.



The pump is fitted with a filling filter that guarantees the intake of clean lubricant into the reservoir.

High Reliability is guaranteed by the use of hardened steel in the construction in all the pumping element components and the pump piston is manufactured in ground-hardened steel.

Loco-oil is the simple and effective solution for the lubrication of machinery with small and medium systems. It is ideal for use on machinery where compressed air is available.

TECHNICAL INFORMATION

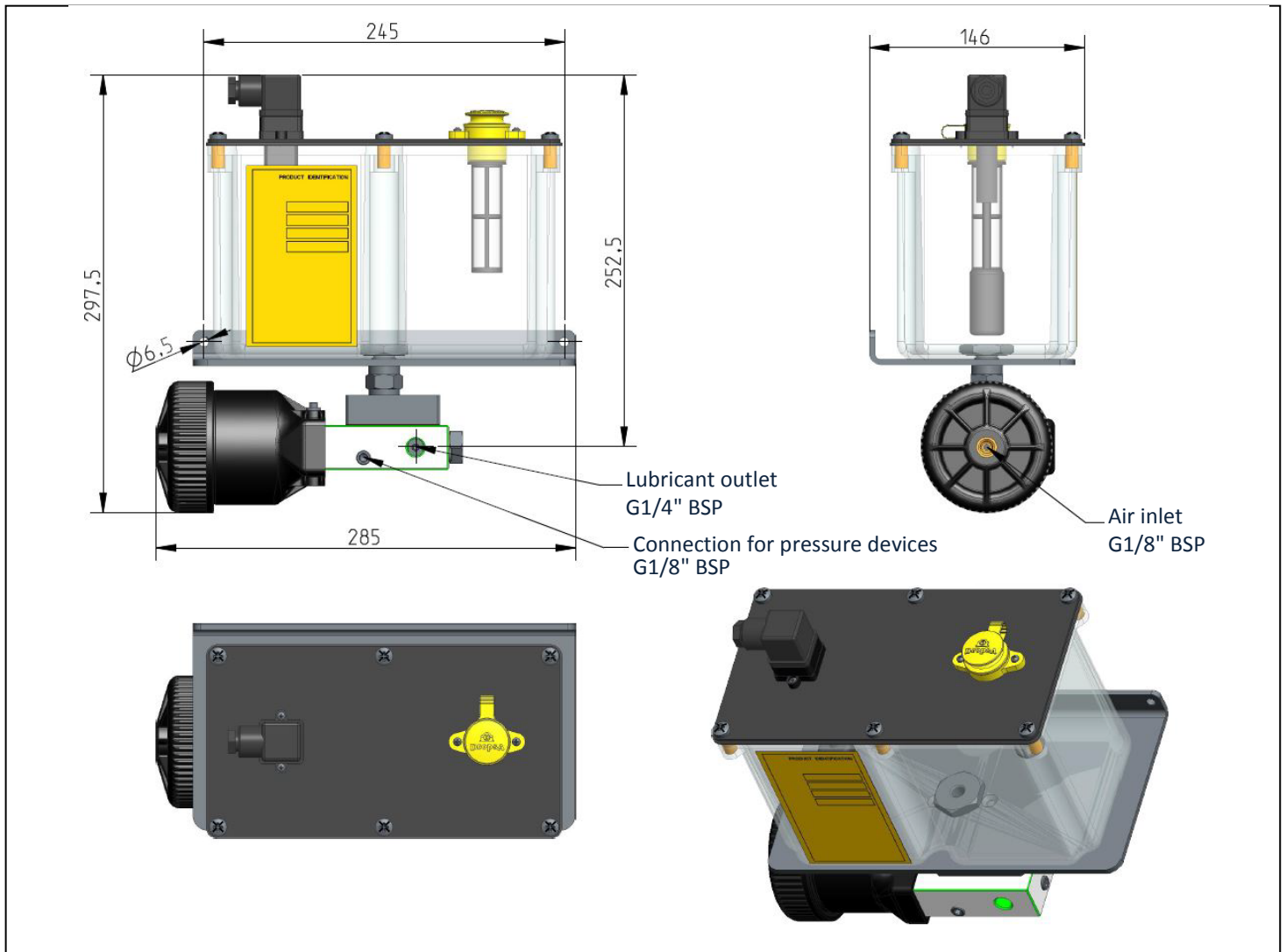
TECHNICAL CHARACTERISTICS

Pumping system	Single acting pneumatic piston
Air pressure	3÷6 bar
Compressed air inlet	G 1/8 UNI - ISO 228/1
Lubricant outlet	G ¼ UNI – ISO 228/1
Compression ratio	50:1
Flow rate	2 cm ³ / stroke
Permitted lubricants*	32÷1000 cSt oil
Piston total stroke	36.5 mm
Piston working stroke	29.2 mm
Minimum level contact	V max.= 220 V AC /1AMA/P.MAX 50 W
Working temperature	+5 ÷ +50°C
Storage temperature	+5 ÷ +50°C
Max. relative humidity without operating	90%
Sound pressure level	< 70 dB(A)
Net weight	5 Kg

APPLICATIONS

- LUBRICATION IN VEHICLES AND MOBILE PLANTS;
- MACHINE TOOLS: SUCH AS MACHINES FOR WORKING SHEET METAL OR WOOD;
- BENDING MACHINES;
- INJECTION PRESSES FOR PLASTICS.

DIMENSIONS (NOT TO SCALE)



ORDER INFORMATION

DESCRIPTION	P. No
CODE 50:1 OIL PUMP WITH NC LEVEL	3414066
50:1 OIL PUMP WITH NO LEVEL	3414067

SPARE PARTS

DESCRIPTION	P. No
3-litre perforated reservoir	6770072
Support plate	3050402
Pump unit	3413502
Minimum level sensor	1655582 NO (for 3414067)
Minimum level sensor	1655583 NC (for 3414066)
Refilling filter	3130101