

# AI-H Single piston pump



**bielomatik**  
SCHMIERTECHNIK  
**DropsA**

## CHARACTERISTICS

**Pump pressure:**  
- 145 bar (2103 psi)

**Displacement:**  
- 3 cm<sup>3</sup>/stroke

**Filling quantity:**  
- 0.8 kg

## AI-H Single piston pump

The single piston pump AI-H is a robust hand lever pump. It is mainly used to manually lubricate progressive dividers or single lubrication points with fluid grease or grease.

## TECHNICAL INFORMATION

### General

Type	Single piston pump
Lubrication line connection	Pipe connection Ø 8 mm
Ambient temperature	From 32 to 104 °F (from 0 to 40 °C)
Refill	Filling device , flat grease nipple DIN 3404 AM10x1

### Hydraulic system

Operating pressure	145 bar (2103 psi)
Displacement	3 cm <sup>3</sup> /stroke
Operating medium	Fluid grease, grease
Range of viscosity	NLGI 000-2*

\*as per fluid grease release list

### Drive

Type of drive	manual
Actuating force	200 N

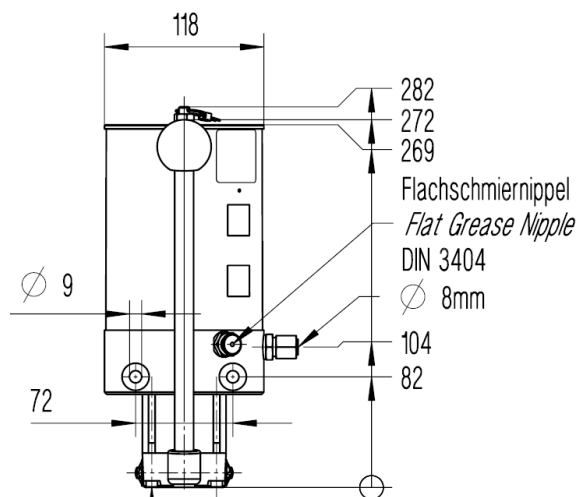


## IDEAL FOR

- Progressive distributors with grease or fluid grease

## APPLICATIONS

- General Industry
- Progressive systems
- Single point lubrication



Nach Loesen der Schrauben  
Pumpenhebel um je 90° versetzbar  
After loosening screws the pump  
lever can be switched 90°

## Order summary

Fill quantity [kg]	Order number
0,8	P30011301

CB2340PE WK 20/20

DropsABielomatikSchmiertechnikGmbH products can be purchased at DropsABielomatikSchmiertechnik GmbH branches and authorised distributors. Write to [info@bielomatik-lubrication.de](mailto:info@bielomatik-lubrication.de)

Distributor Info: