

DL-33 G AND DL-33 O INJECTORS



The DL-33 injector line was developed to provide a precise amount of lubricant to points of friction in situations where high pressure is required.

The compact product design allows for several DL33s to be installed in line within a small, confined space. The output flow is adjustable externally which allows the end user to adjust for the necessary amount of lubricant to meet application requirements.

DL33 injectors have a visual indicating pin incorporated within the valve to confirm proper lubrication and functionality of the lubrication system. The valves are mounted within manifolds, available from 1 to 7 outlets.

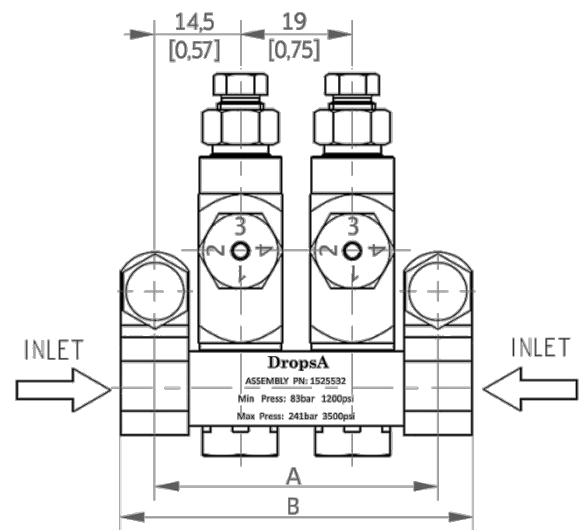


Each DL33 injector can be easily inspected, assembled, or disassembled from the manifold without removing any fittings or tubing. Additionally, the product can be mounted in any orientation. DropsA can also provide customized manifolds to meet specific requirements.

Grease Version

LUBRICANT		FLOW RATE		OPERATING PRESSURE			
Oil	Grease	Min	Max	Min	Max	Typical	Recharge
-	Max NLGI 2	0.016 cm ³ (0.001 cu.in.)	0.049 cm ³ (0.003 cu.in.)	83 bar (1200 psi)	241 bar (3500 psi)	103 bar (1500 psi)	14 bar (200 psi)

Code (1/8 OD)		Code (ø 4 push-in)	Outlets	Dimensions mm [in.]	
1/8 NPT INLET	1/8 BSP INLET	1/8 NPT INLET		A	B
1525531	1526632	1525781	1	29 – [1.14]	41 – [1.61]
1525532	1526633	1525782	2	48 – [1.89]	60 – [2.36]
1525533	1526634	1525783	3	67 – [2.64]	79 – [3.11]
1525534	1526635	1525784	4	86 – [3.39]	98 – [3.86]
1525535	1526636	1525785	5	105 – [4.13]	117 – [4.61]
1525536	1526637	1525786	6	125 – [4.92]	137 – [5.39]
1525537	1526638	1525787	7	144 – [5.67]	156 – [6.14]
1526578	1526639	-	8	163 – [6.41]	175 – [6.89]
1526579	1526640	-	9	182 – [7.16]	194 – [7.63]
1526580	1526641	-	10	201 – [7.91]	213 – [8.38]
1526582	1526642	-	12	239 – [9.40]	251 – [9.88]
-	1526656	-	14	276 – [10.87]	288 – [11.34]
1526585	1526643	-	15	296 – [11.65]	308 – [12.12]
SPARE PARTS					
1525530	Injector valve (1/8 OD)				
1525780	DL 33-push-in injector valve ø 4				
1525518	Bracket				

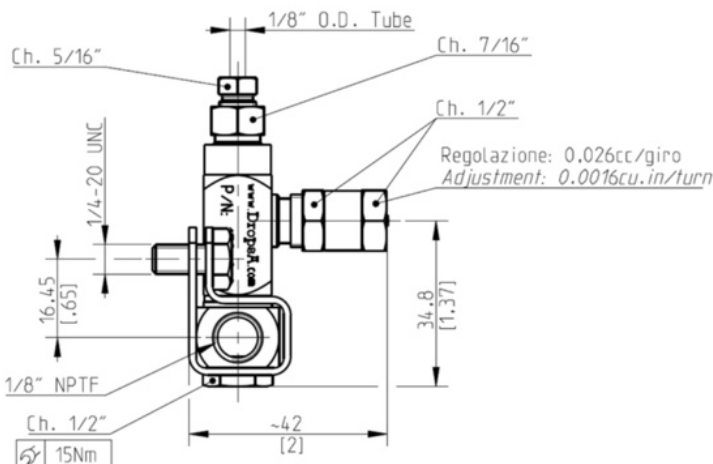




Oil Version

LUBRICANT		FLOW RATE		OPERATING PRESSURE			
Oil	Grease	Min	Max	Min	Max	typical	recharge
Min 32 cSt	-	0.026 cm ³ (0.0016 cu.in.)	0.078 cm ³ (0.005 cu.in.)	52 bar (760 psi)	69 bar (1000 psi)	59 bar (860 psi)	10 bar (145 psi)

OIL INJECTOR				
Code (1/8 OD)		Outlets	Dimensions mm [in.]	
1/8 NPT INLET	1/8 BSP INLET		A	B
1526211	1526644	1	29 - [1.14]	41 - [1.61]
1526212	1526645	2	48 - [1.89]	60 - [2.36]
1526213	1526646	3	67 - [2.64]	79 - [3.11]
1526214	1526647	4	86 - [3.39]	98 - [3.86]
1526215	1526648	5	105 - [4.13]	117 - [4.61]
1526216	1526649	6	125 - [4.92]	137 - [5.39]
1526217	1526650	7	144 - [5.67]	156 - [6.14]
1526568	1526651	8	163 - [6.41]	175 - [6.89]
1526569	1526652	9	182 - [7.16]	194 - [7.63]
1526570	1526653	10	201 - [7.91]	213 - [8.38]
1526572	1526654	12	239 - [9.40]	251 - [9.88]
-	1526657	14	276 - [10.87]	288 - [11.34]
1526575	1526655	15	296 - [11.65]	308 - [12.12]
SPARE PARTS				
1526210		Injector valve (1/8 OD)		
1525518		Bracket		
1524545		FIXING SCREW		



Notes:

1. The injectors include the compression nut and cone for \varnothing 1/8" pipe.
2. The injectors have VITON gaskets. Check compatibility with the use of synthetic lubricants.
3. For injectors with manifold, two assembly brackets are included with relative 1/4" 20UNC hex-head screws.
4. With the indicator head completely tightened, the output is 0.026 cm³ (0.0016 cu in).

C2406PE WK 28/24

Dropsa products can be purchased from Dropsa subsidiary and Dropsa sales representatives, visit www.dropsa.com/contact or contact us sales@dropsa.com

Distributor Info: