



CHARACTERISTICS

Operating pressure:
- 45 bar

Range of viscosity:
- 50 to 750 mm²/s,
NLGI 000-0*

AB-H SINGLE PISTON PUMP

The single piston pump AB-H is a robust hand lever pump. It is suitable for daily manual lubrication. The hand lever can be mounted in three different positions.

This pump can be used with the 33V system.



TECHNICAL INFORMATION

General

Type	Single piston pump
Lubrication line connection	Pipe connection Ø 6 mm
Ambient temperature	From 0 to 80°C (32 to 176 °F)
Filling	manual or filling device

Hydraulic system

Operating pressure	45 bar
Flow rate	10.5 cm ³ /stroke
Operating medium	Mineral oil, fluid grease
Range of viscosity	50 to 750 mm ² /s, NLGI 000-0*

Drive

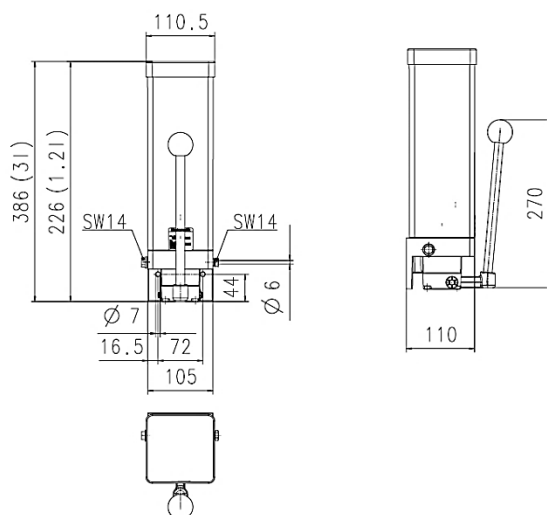
Type of drive	manual
Actuating force	200 N

IDEAL FOR

- Daily manual lubrication with oil or fluid grease

APPLICATIONS

- Small machines with manual lubrication
- Single point lubrication with oil or grease



Order summary

Container Size [l]	Order number
1,2	P30011522
3,0	P30011523



Spare parts

Order number	Designation
P304 00 600	Cap
P302 15 201	Double taper ring
P302 56 621	Male fitting

Accessory parts

Order number	Designation
P620 04 053	Retaining screw
P620 50 004	Locking washer