



1 APPLICATION

The AG dosing pump is a compact lubrication system with a 24 V solenoid pump. It is suitable for directly supplying up to four lubrication points with lubricant.

2 DESIGN

The pump is designed for manual filling with lubricants. It has an optional level control which emits a signal when a defined fill level is reached. An optional stroke monitor checks whether the pump has made the stroke and therefore pumped lubricant. The different versions of the pump are listed in the table under point 4.



Figure 1: Dosing pump (example)

- | | |
|--------------------------------|---------------------------------|
| 1. Container | 2. Level control |
| 3. Drive | 4. Stroke monitoring (optional) |
| 5. Lubrication line connection | 6. Mounting bracket |



Dosing pumps with a tank capacity of 0.5 litres or more are fixed with a bracket, which gives the tank more stability.



3 TECHNICAL DATA

General	
Type	<i>Dosing pump</i>
Type of drive	<i>electrical</i>
Container volume	<i>0,5 / 1,0 / 1,5 l</i>
Lubrication line connection	<i>Tube connection \varnothing 4 mm / \varnothing 6 mm</i>
Environmental temperature	<i>0° bis 60°C</i>
Refill	<i>manually</i>
Protection class according to EN60529	<i>IP 65</i>
Mass	<i>Ca. 1,5 kg</i>
Usage	<i>For direct supply of 1, 2, 3 or 4 lubrication points</i>
Technical data	
Delivery volume	<i>25 mm³/stroke per outlet</i>
Operating pressure	<i>7 bar</i>
Operating medium	<i>Mineral oil</i>
Viscosity range	<i>10 bis 750 mm²/s</i>
Supply voltage	<i>24 V DC</i>
Supply current	<i>1,2 A</i>
Power consumption	<i>30 W</i>
Connection	<i>Angle connector DIN 43650-A</i>
Sensor level control	
Nominal voltage	<i>24 V DC</i>
Switching current	<i>≤ 0,5 A</i>
Connection	<i>M12x1</i>
Sensor Stroke monitoring	
Nominal voltage	<i>24 V DC</i>
Switching current	<i>≤ 300 mA</i>
Current consumption	<i>≤ 15 mA</i>
Connection	<i>M12 x 1</i>



4 DESIGNS

Outlets	Tank capacity [l]	Design lubricant outlet	Diameter tube [mm]	Stroke monitoring	Level control	Item number
1	0,25	<i>plug-in</i>	4	-	-	P30013070
1	0,5	<i>union nut</i>	6	-	M12x1 – 24 V	P30013071
1	0,5	<i>union nut</i>	6	-	-	P30013050
1	0,5	<i>union nut</i>	6	M12x1 – 24 V - PNP	M12x1 – 24 V	P30013091
1	1,5	<i>union nut</i>	6	M12x1 – 24 V - NPN	M12x1 – 24 V	P30013076
2	0,25	<i>plug-in</i>	4	-	-	P30013067
2	0,5	<i>union nut</i>	6	M12x1 – 24 V - PNP	M12x1 – 24 V	P30013092
2	1,5	<i>union nut r</i>	6	M12x1 – 24 V - NPN	M12x1 – 24 V	P30013077
2	1,5	<i>plug-in</i>	4	-	M12x1 – 24 V	P30013087
3	0,5	<i>union nut</i>	6	M12x1 – 24 V - PNP	M12x1 – 24 V	P30013093
3	1,5	<i>union nut</i>	6	M12x1 – 24 V - NPN	M12x1 – 24 V	P30013078
4	0,5	<i>union nut</i>	4	M12x1 – 24 V - PNP	M12x1 – 24 V	P30013095
4	0,5	<i>union nut</i>	6	M12x1 – 24 V - PNP	M12x1 – 24 V	P30013094
4	1,5	<i>union nut</i>	6	M12x1 – 24 V - NPN	M12x1 – 24 V	P30013079
4	1,5	<i>union nut</i>	4	-	M12x1 – 24 V	P30013160

Flexible pumps

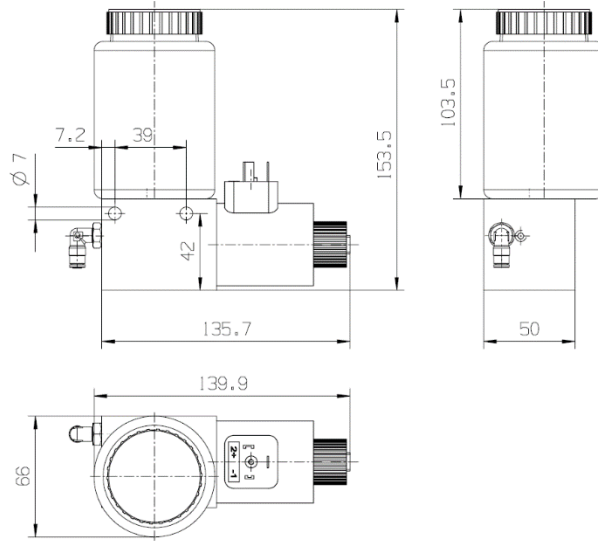
This version provides the opportunity for changing the outlets from two to three or four outlets at any time and vice versa.

Outlets	Tank capacity [l]	Design lubricant outlet	Diameter tube [mm]	Stroke monitoring	Level control	Item number
2-4	0,25	<i>plug-in</i>	4	M12x1 – 24 V - PNP	M12x1 – 24 V	P30013088
2-4	1	<i>plug-in</i>	4	M12x1 – 24 V - PNP	M12x1 – 24 V	P30013132

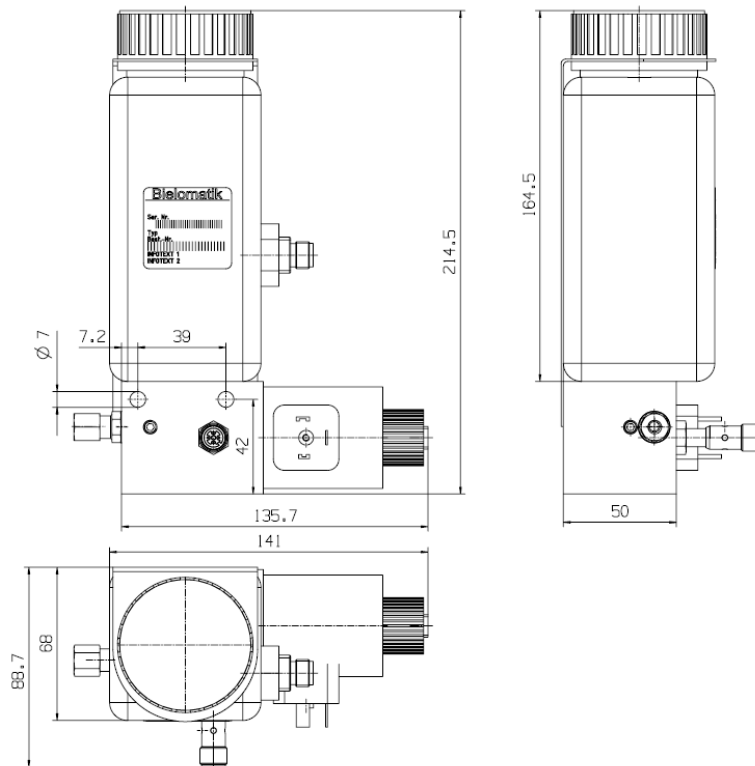


5 DIMENSIONS

Tank capacity 0.25 l

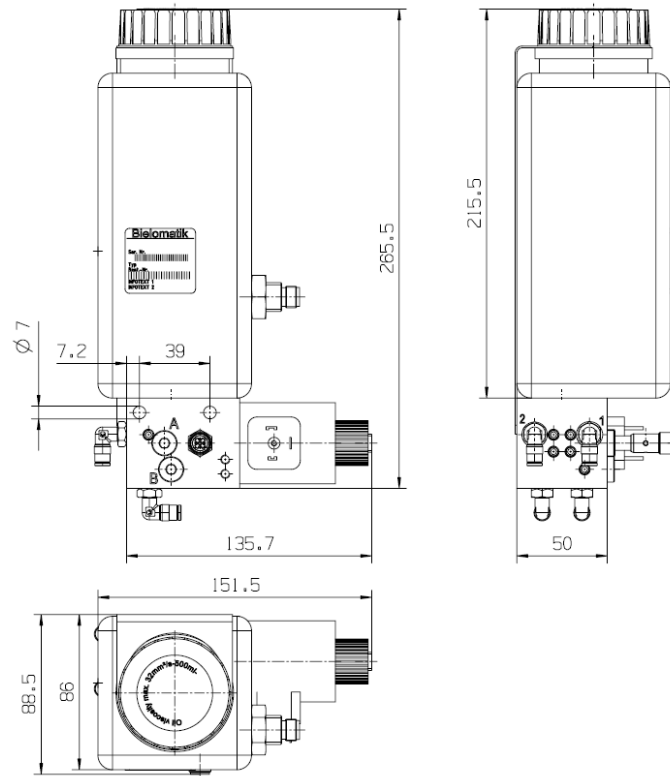


Tank capacity 0.5 l

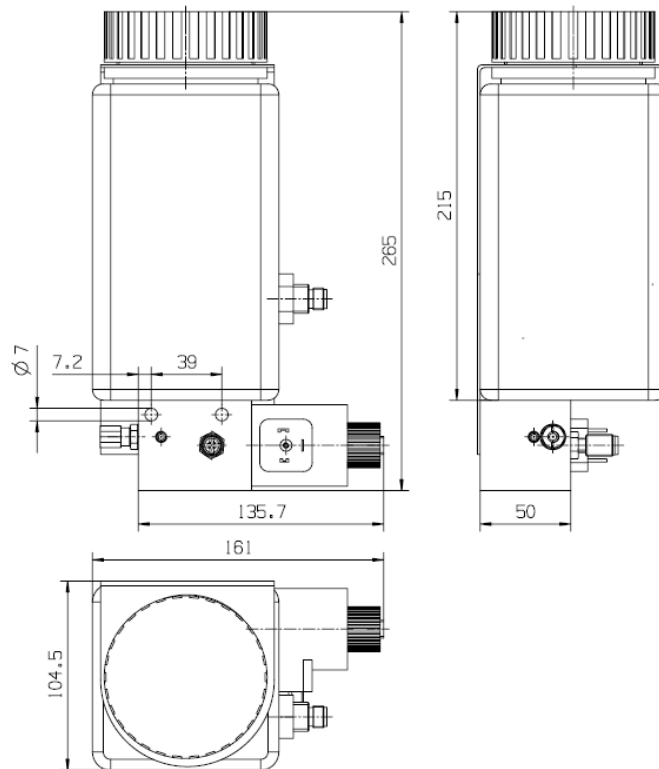




Tank capacity 1,0 Liter



Tank capacity 1,5 Liter





Type of interface	Interface format	Signal
Drive connection	Angle connector DIN 43650-A	24 V
Connection level control	M12 x 1	24 V
Connection stroke monitoring	M12 x 1	24 V
Output pump	Tube connection \varnothing 4 mm / \varnothing 6 mm	Operating medium

6 INTERFACES

Pin assignment stroke monitoring PNP	Pin assignment stroke monitoring NPN

Terminal assignment level control

7 ACCESSORIES

Designation	Item number
3m cable M12x1 for connection level control / stroke monitoring	P67202566