

CHARACTERISTICS

- **FLOW RATE: 15 L/ MIN. MAX**
 - **OPERATING PRESSURE 400 BAR PMAX**
 - **TWO-WAY FLOW**
 - **NO INTERACTION BETWEEN ELEMENTS ADN FLUID**
 - **NO ENCRUSTATION OR LOCK DUE TO HIGH TEMPERATURES**
 - **FOR HIGH VISCOSITY LUBRICANT**
 - **CONE VALVE**
 - **WHITH ELECTRIC CONNECTOR**
 - **FLUIDS:
OIL 800cST MAX
GREASE NLGI 2 MAX**
 - **AVAILABLE IN ATEX VERSION**
- II2 GD T135°C IP 67 EEX D IIB T4

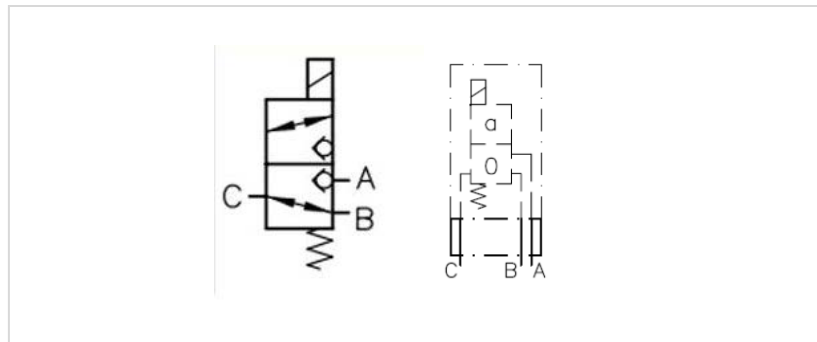
3/2 WAY DIRECTON VALVE

The 3/2 section valve are designed to control the supply of lubrication systems. These valves are able to operate grease at a maximum pressure of 400 bar (5880 psi).

The function is to redirect lubricant from one way to the other of system.



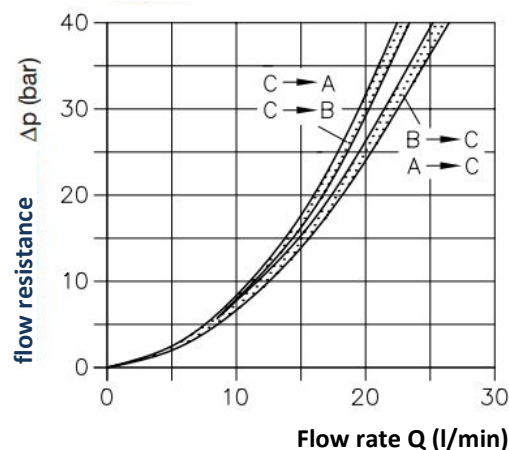
SYMBOLS



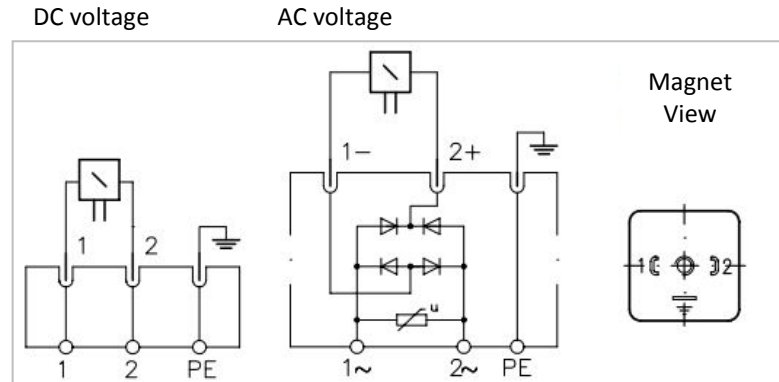
TECHNICAL INFORMATION

TECHNICAL FEATURES	
Maximum capacity	15 l/min MAX
Operating pressure	400 bar MAX
Type of construction	Seated cone valve
Fixing and pipe	Mounting base plate and connection block
Mounting position	Preferably vertically with the actuator upwards
Flow direction	Bidirectional
Drive	Electric
Temperature	- 40°C ÷ + 80°C (ATEX -35°C ÷ +40°C)
Oil temperature	-25 °C ÷ + 80°C (ATEX 70°C)

Δ p-Q curves (guideline)

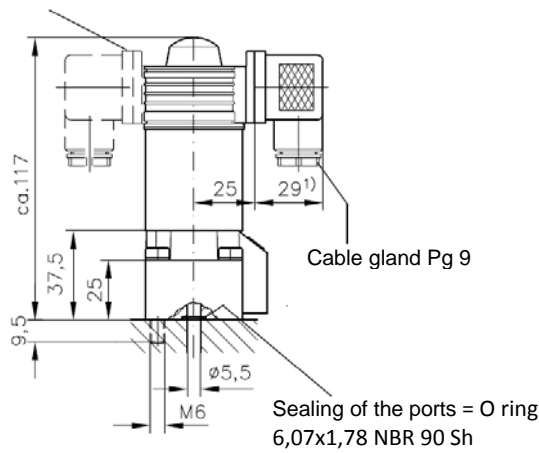


ELECTRICAL CONNECTIONS



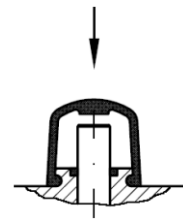
DIMENSIONS

Adapter may be mounted, rotated by 22.5° or 180°

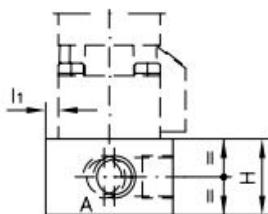
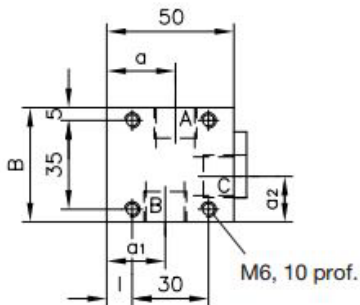


Manual emergency actuation

Press down the solenoid pin hidden under the rubber cap, max. actuation force 80 (N).



BLOCKS OF ATTACK



ATTACKS A,B,C ISO 228/1	H	B	a	a1	a2	l	l1
G 1/4	30	45	29	21	20	10	5
G 1/8	30	45	27	23	18	10	5
G 1/2	45	50	25	25	--	10	5

ORDERING INFORMATION

DESCRIPTION	ATTACK	VOLTAGE	CODE	Q.ty
ELECTRIC SOLENOID	1/4 ISO 228/1	24V DC	3155236	○ _____
	1/4 ISO 228/1	24V DC ATEX	3155197	○ _____

Info Distributor: