

SPECIFICATIONS

- IN CONFORMITY WITH THE 94/9/EC 'ATEX' DIRECTIVE
II 2GD IIC T5/100 °C IP65
- DOUBLE PUMPING MODULE
- 3 AVAILABLE LEVELS:
 - MINIMUM AND MAXIMUM FLOATING SWITCH LEVEL
 - MINIMUM AND MAXIMUM LASER LEVEL
 - MINIMUM CAPACITIVE LEVEL AND MAXIMUM LEVEL
- "QUICK SWAP" MODULE: EASY PUMP ELEMENT REPLACEMENT WITHOUT REMOVING PIPES
- TANK CAPACITY: 10 KG, 30 KG
- FLOW RATE: 25CC/MIN

COMPACT OIL AND GREASE PUMP DESIGNED FOR EXPLOSION-RISK ENVIRONMENTS

Mini-SUMO Atex, in conformity with the 94/9/EC 'ATEX' directive, is a variation of the Mini-SUMO designed to operate in potentially hazardous environments.

The **mini-SUMO Atex** electric pump is totally protected against the external environment and can operate without any problem in even the most severe environmental conditions.

Particularly suitable for Double Line systems and Progressive Systems, the **mini-SUMO Atex** has been designed to supply lubrication systems which use both oil and grease NLGI 2.

NO DOWN TIMES DURING MAINTENANCE

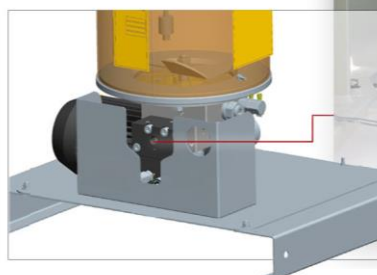
The QUICK SWAP SYSTEM permits replacing, in just a few seconds, both the PUMPING MODULES positioned on the right of the pump, without touching the connections and with little risk of contamination; no jobs have to be performed on pipes and connections either.



DESIGNED TO OPERATE IN POTENTIALLY HAZARDOUS ENVIRONMENTS
II 2GD IIC IIIC T5/T100 °C IP65

APPLICATIONS

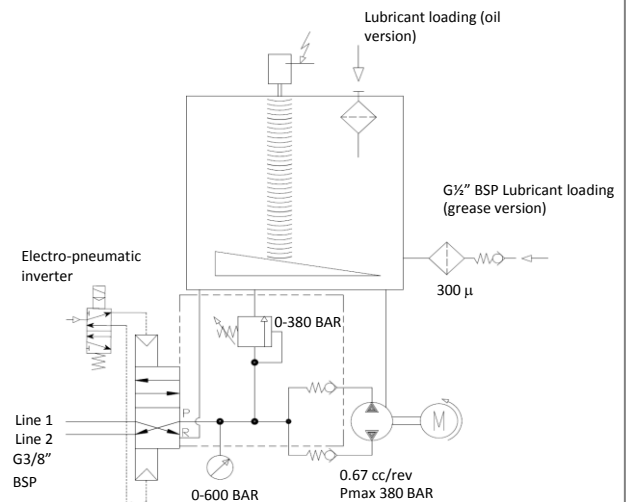
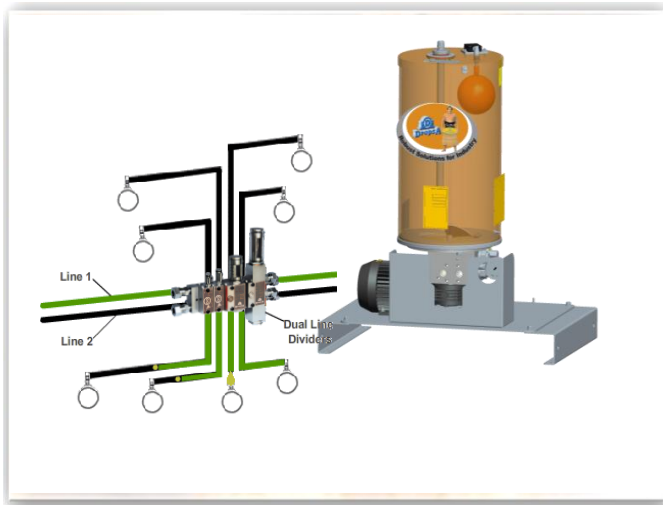
- EXPLOSION RISK AREAS
- STEELWORKS
- OIL&GAS INDUSTRIES



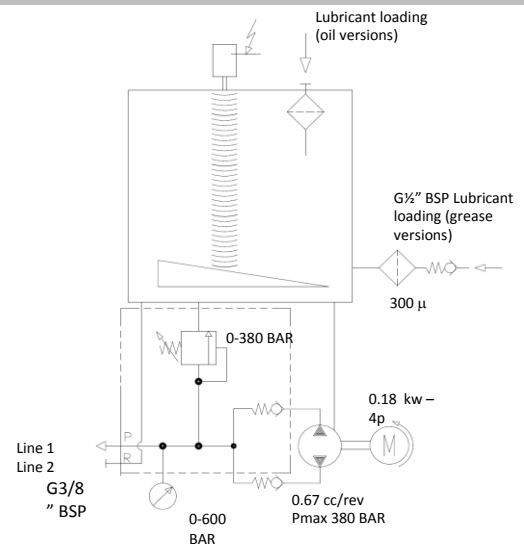
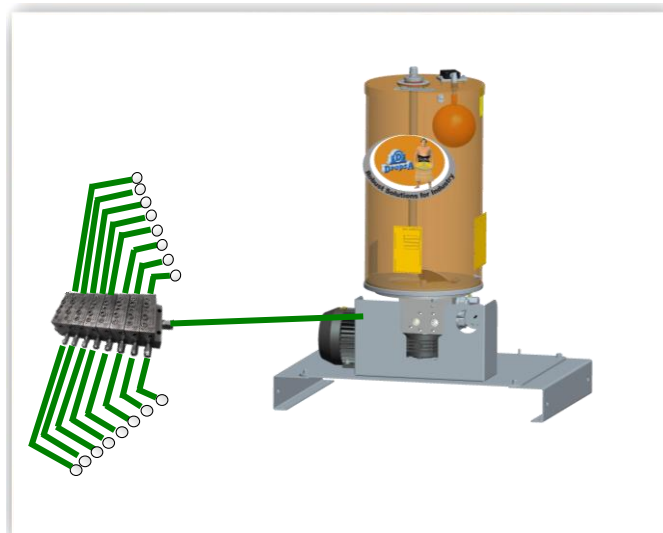
FULLY PROTECTED AGAINST THE EXTERNAL ENVIRONMENT CAN RUN WITHOUT PROBLEMS IN THE MOST SEVERE AMBIENT CONDITIONS

EXAMPLES OF APPLICATIONS

- HYDRAULIC DIAGRAM OF GREASE PUMP WITH ELECTROPNEUMATIC INVERTER – DOUBLE LINE



- HYDRAULIC DIAGRAM OF GREASE PUMP – SINGLE LINE



GENERAL SPECIFICATIONS

Weight empty (10 kg tank)	62 kg
Weight empty (30 kg tank)	65 kg
Weight of pump empty without tank	42 kg

ELECTRICAL SPECIFICATIONS

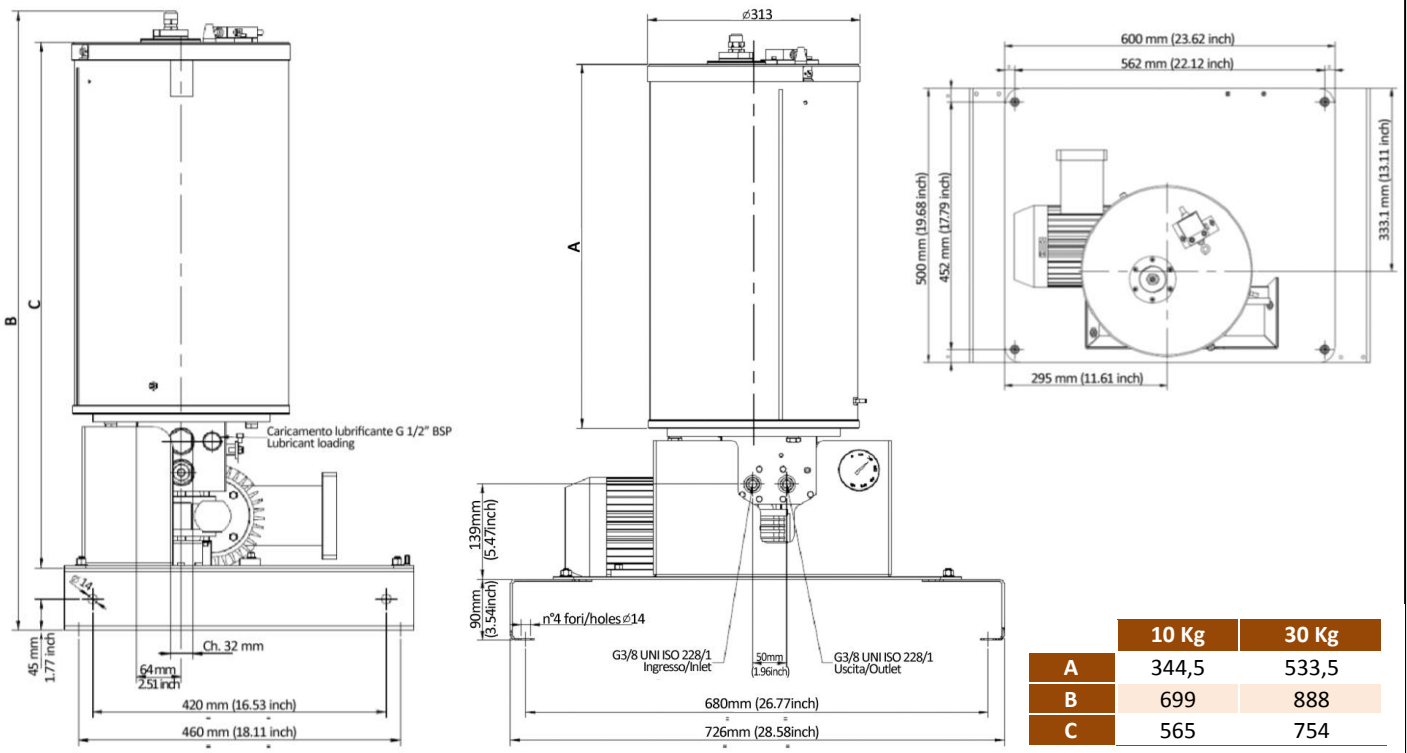
Motor	3 Ph - 0,25 Kw - 230Δ/400Y 50/60 Hz – Max acceptable operating voltage 690 V
Degree of motor protection	IP 65
Minimum and maximum level	Capacitive/Laser/Floating switch

HYDRAULIC SPECIFICATIONS

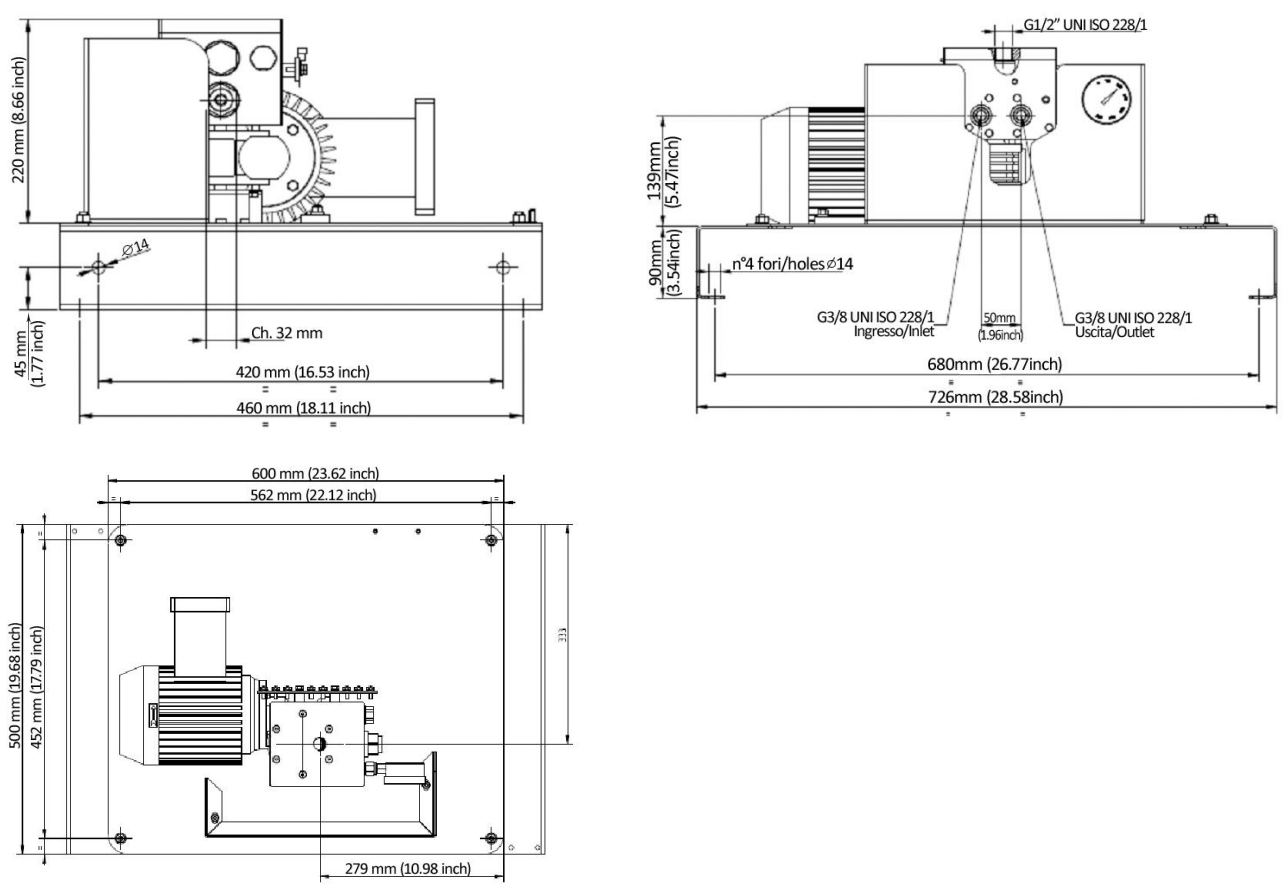
Pumping system	Piston
Flow rate (for pumping element)	25 cc/min
Max operating pressures	380 bar
Outlet connection	G3/8" BSP
Filling filter	Filtering degree 300 μ
Bypass	Adjustable 0÷380 bar – preset 300 bar
Temperature of use	- 5 ÷ + 50 °C
Operating humidity	90 % relative humidity
Acceptable lubricants	Mineral lubricating oil min 32 cSt; grease max NLGI2

DIMENSIONS (DRAWINGS NOT TO SCALE)

VERSION WITH TANK



VERSION WITHOUT TANK





MINI-SUMO 

ORDER DETAILS

AVAILABLE VERSIONS			
PUMP	TANK	DESCRIPTION	CODE
<i>Mini-SUMO</i> GREASE	10 kg	Standard with Exi Capacitive (minimum)+Ext Microswitch Ext (Max)	2487200
	30 Kg	Standard with Exi Capacitive (minimum)+Ext Microswitch (Max)	2487201
<i>Mini-SUMO</i> OIL	10 kg	Standard with floating switch level Ex d	2487250
	30 Kg	Standard with floating switch level Ex d	2487251
	-	Version without tank	2487220

ACCESSORIES		
ARTICLE	DESCRIPTION	CODE
Maximum and minimum level	Pump level laser kit 30 kg Ext case	0295145
	24 V DC	0083570
Electro-pneumatic inverter kit	24 V AC	0083571
	110 V AC	0083572
	230 V AC	0083573
Hydraulic inverter		0086450
Terminal strip	Terminal strip support complete with wiring	1525722

SPARE PARTS	
DESCRIPTION	CODE
Motor - 3 Ph - 0,25 Kw - 230Δ/400Y 50Hz - 1350 rpm	0297040
Exi capacitive level kit (minimum)+Microswitch Exd (max) 10 Kg	0297075
Exi capacitive level kit (minimum)+Microswitch Exd (max) 30 Kg	0297061
Case laser level kit Exd 30 Kg	0295145
Floating switch level kit 10 Kg Exd	0295152
Floating switch level kit 30 Kg Exd	0295153
Fixed flow rate pump element 0.67cc/rev	0297010C
Electropneumatic inverter 24V DC	0083570
Electropneumatic inverter 24V AC	0083571
Electropneumatic inverter 110V AC	0083572
Electropneumatic inverter 230V AC	0083573
Coil ATEX EExm 24 V DC	3150108
Coil ATEX EExm 24 V AC	3150109
Coil ATEX EExm 110 V AC	3150110
Coil ATEX EExm 230 V AC	3150111
Solenoid valve 5/2-1/8" NC	3155222
ExiaD cycle sensor	1655332
Grease filling filter	0297007
Hydraulic inverter	0086450
Hydraulic inverter + Ex sensor	0083952
Bypass	0234496
Pump-tank body gasket	3190485
Pressure gauge 0 - 600 Bar	3292154
Exd gland	0075052

Distributor Info:

C2197PE WK 42/18

Dropsa products can be purchased from Dropsa branches and authorized distributors. Visit website www.dropsa.com/contact or write to sales@dropsa.com