



VENT VALVE

Vent Valve

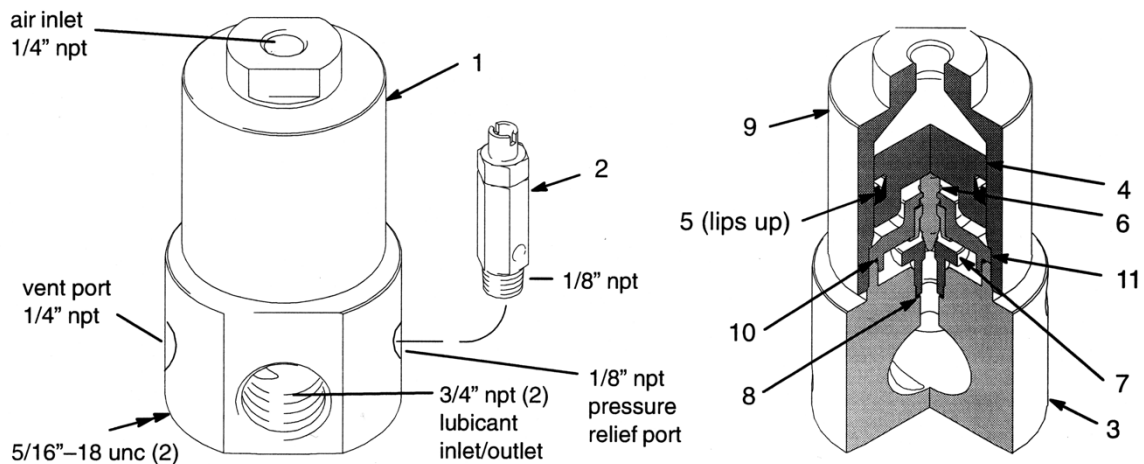
- compression ratio 90:1 air
- pressure max. air: 8.3 bar
- min pressure. air: 2.8 bar
- max. fluid pressure: 262 bar
- Recommended fluids: lubricant NLGI grade 1 or lighter
- Dimensions: 159 x 57 mm
- Air powered wetted parts: carbon steel, aluminium, Buna-N
- Fluid-side wetted parts: carbon steel, Viton.



3094059

Warning

To prevent over pressurization, a pressure relief valve 3294041 must be used in conjunction with all vent valves.



ITEM	DESCRIPTION	PART. NO.
1	Vent valve	
2	Pressure relief valve	3294041
3	Vent valve body	
4	Piston	
5*	Air piston packing (lips up)	3190419
6*	Needle	3001259
7*	Valve seat	3016120
8*	Check seat gasket	3190421
9	Air cylinder	
10*	O-ring	3190425
11*	Packing retainer	3132189

* Included in vent valve repair kit 3132475

Distributor Info:

C3006IE WK 21/24

Dropsa products can be purchased from Dropsa subsidiary and Dropsa sales representatives, visit www.dropsa.com/contact or contact us sales@dropsa.com