

# AB-PK-(Capacitive Level Control)

## SINGLE PISTON PUMP



### CHARACTERISTICS

**Max pressure:**  
- 60 bar (870 psi)

**Tank Capacity:**  
- 1,2L or 3,0L

**Ambient temperature:**  
- from 32 to 176 °F

**Range of viscosity:**  
- from 50 to 750 mm<sup>2</sup>/s, NLGI 000-0

### IDEAL FOR

- Daily or up to each minute fluid grease or oil lubrication

- For use with metering valves and dosing valves

### APPLICATIONS

- Small machines

- Machine tools, wood processing, general industry

- Single point lubrication with oil or fluid grease

## AB-PK SINGLE PISTON PUMP

The single piston pump AB-PK is a robust pneumatic pump. It is suitable for automatic lubrications, which must be done several times daily to maximum once per minute. The capacitive level control offers a reliable use of fluid greases, which are difficult to detect.

### TECHNICAL INFORMATION

#### General

Type	Single piston pump
Lubrication line connection	Pipe connection $\varnothing$ 6 mm
Ambient temperature	From 32 to 176°F (from 0 to 80 °C)
Filling	Manual or filling device
Protection class as per EN60529	IP67

#### Hydraulic system

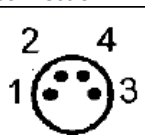
Operating pressure	60 bar (870 psi)
Flow rate	10.5 cm <sup>3</sup> /stroke
Pressure Ratio	P2=9,5x(P1-1,2)
Operating medium	Mineral oil, fluid grease
Range of viscosity	From 50 to 750 mm <sup>2</sup> /s, NLGI 000-0*

\*as per fluid grease release list

#### Drive

Type of drive	pneumatic
Supply pressure	From 4 to 6 bar
Supply fitting	G ¼ "

#### Sensor system

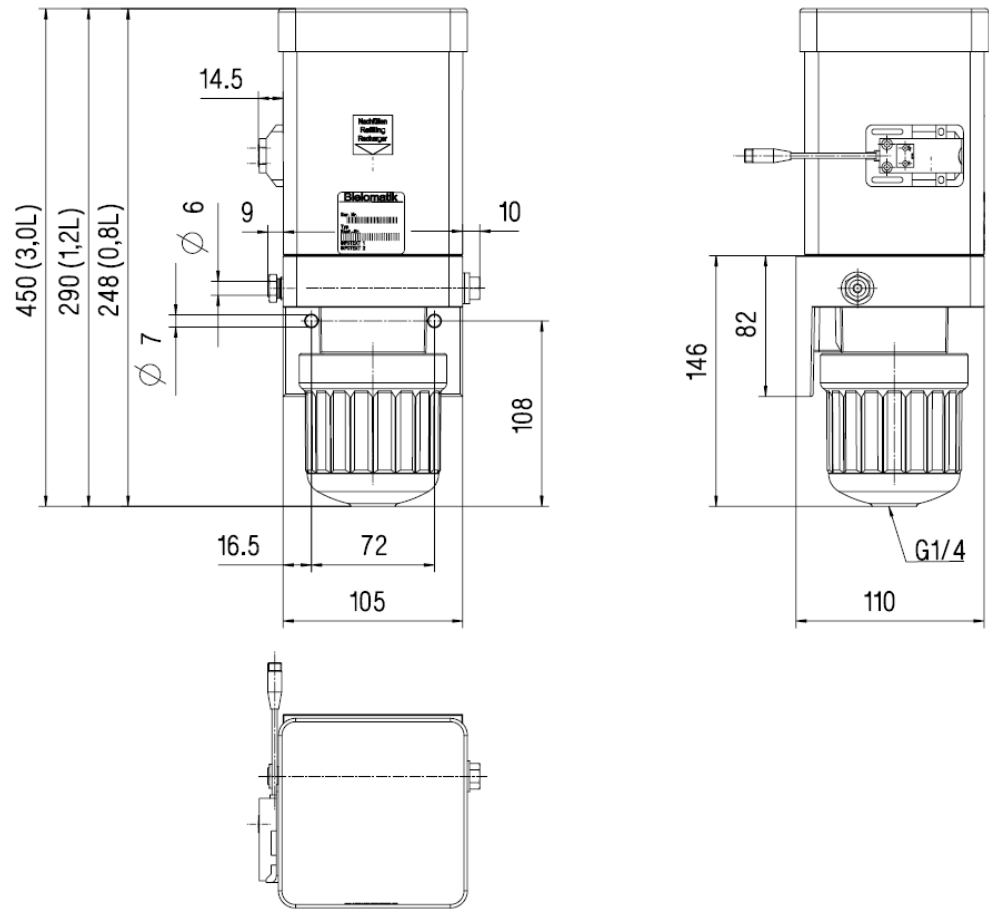
<b>Level control</b>	
Nominal voltage	24 V DC
Power consumption	≤ 17 mA
Switching current	≤ 100 mA
Connection	M8 x 1
	1 – L+ 3 – L- 4 – NC (Closed when Tank full, programmable)



# AB-PK-(Capacitive Level Control) SINGLE PISTON PUMP



## TECHNICAL INFORMATION



### Order summary

Tank	Lubr. Line connection	Level switch	strainer	Grease nipple	Other	Ordering Number	
0,8L	Ø6mm, Left	Right	No			P30011613	
1,2L	Ø6mm, Left	Left	Yes			P30011615	
			Yes	Flat type, front		P30011659	
			Yes	Flat type, top		P30011652	
			Yes			P30011617	
		Right	Yes		Refill strainer with cap		P30011618
			Vorne	No			P30011640
	Ø6mm, Right	Left	Yes		With screw-cap	P30011638	
3,0L	Ø6mm, Left	Left	Yes			P30011648	
			Yes		With screw-cap	P30011653	

### Spare Parts:

Article no.	Name	Description	Article no.	Name	Description
P30400600	Cap	For tank	P62004053	Fixing screw	M6x25
P30215201	Clamping ring	For lubrication line connection	P62050004	Washer	For M6
P30256621	Retaining screw	For lubrication line connection	P30023403	3/2 way valve set, 24VDC, 3W	Pressurized air connection
			P30023404	3/2 way valve set, 230VAC, 6,5W	Pressurized air connection

### Accessories:

CB2333PE WK 20/20

Dropsa BM Germany GmbH products can be purchased at Dropsa BM Germany GmbH branches and authorised distributors. Write to [Info.bm@dropsa.com](mailto:Info.bm@dropsa.com)

Distributor Info: