

CHARACTERISTICS

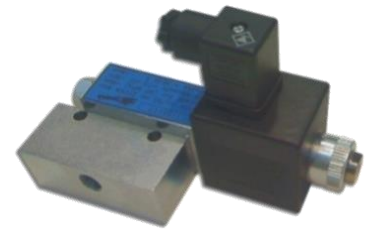
- POSSIBILITY TO SPLIT THE SYSTEM IN MORE INDEPENDENT SECTIONS
- FLEXIBILITY
- OPERATING PRESSURE UP TO 400 BAR (5800 PSI)
- FUNCTIONALITY
- QUICK LOCATION OF FAULTY VALVE
- RELIABILITY
- REDUCTION OF PRESSURE DROP
- PROGRAMMABILITY

SHUT OFF VALVE THE PROGRAMMABLE PROGRESSIVE LUBRICATION SYSTEM

These valves are similar to "SHUT OFF" valves for SMX metering element.

To difference is that are not connected to metering elements but mounted directly on the feed to create different sections or zones of the system.

The valves can be either: **ELECTRIC** and **PNEUMATIC**.



ELECTRIC SHUT OFF

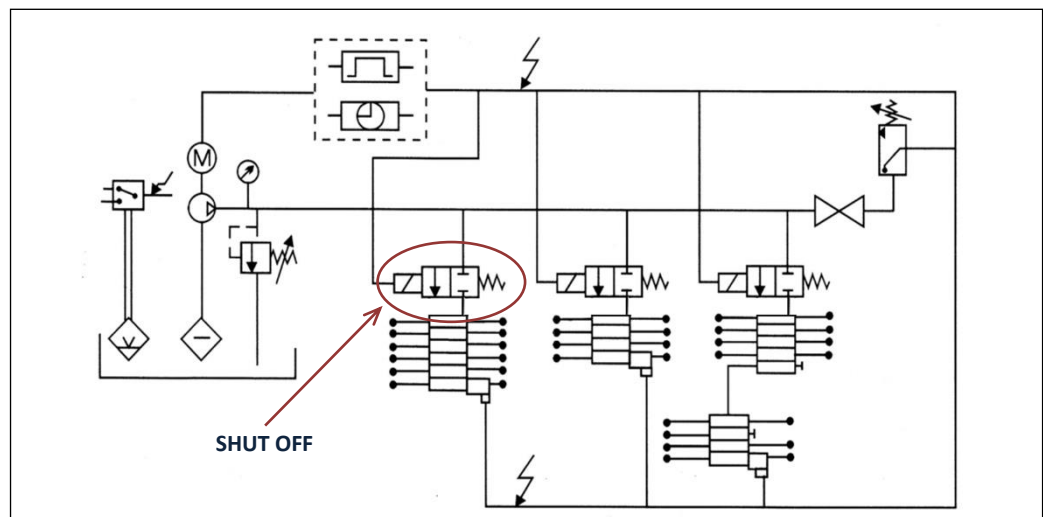


PNEUMATIC SHUT OFF

- **POSSIBILITY TO SECTION THE INSTALLATION IN SECTORS WITH DIFFERENT LUBRICATION CYCLES**
"SHUT OFF" valve makes it possible to programme the amount of lubrication and the intervals of lubrication according to the requirements of different parts of the machine.
- **OPERATION WITH OIL OR GREASE AT A PRESSURE OF 400BAR (5880 PSI)**
This valve is suitable for either light oil (min viscosity f 15 cSt) or thick grease (density p to NLGi 3) can operate at pressure of 400 bar (5880 psi).
- **REDUCTION OF PRESSURE DROP**
The standard progressive system is comparable o series circuitry in electricity. The lubricant flow operates a series of valves in succession and this reduces step by step the operating pressure and limits the length of the installation.
The "shut off" valve permits the design of installations with extended lines and many valves.
- **QUICK LOCATION OF FAULTY VALVE**
An indicating micro switch mounted on the progressive block permits location of the damaged section of the installation.
- **INTERCHANGEABILITY OF BASES AND METERING VALVES THANKS TO THE MODULAR CONCEPT**
The metering valve can be serviced without disturbing the pipe work.
The installation can be easily extended or modified.

APPLICATION EXAMPLE

Each section of the system gets the lubricant directly from the main line through a shut-off valve controlled by an electronic controller, which is either time based or pulse/cycle counter.



CONTACTS

www.dropsa.com

sales@dropsa.com

ITALY

Dropsa SpA
t. +39 02-250791
f. +39 02-25079767

U.K.

Dropsa (UK) Ltd
t. +44 (0)1784-431177
f. +44 (0)1784-438598

GERMANY

Dropsa GmbH
t. +49 (0)211-394-011
f. +49 (0)211-394-013

FRANCE

Dropsa Ame
t. +33 (0)1-3993-0033
f. +33 (0)1-3986-2636

U.S.A.

Dropsa Corporation
t. +1 586-566-1540
f. +1 586-566-1541

AUSTRALIA

Dropsa Australia Ltd.
t. +61 (02)-9938-6644
f. +61 (0)2-9938-6611

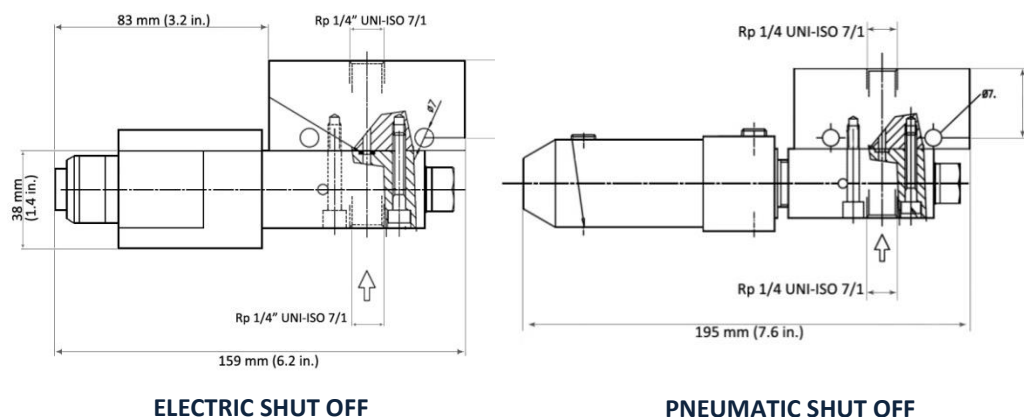
BRAZIL

Dropsa Brasil Ind.e
Com.Ltda
t. +55 (0)11-563-10007
f. +55 (0)11-563-19408

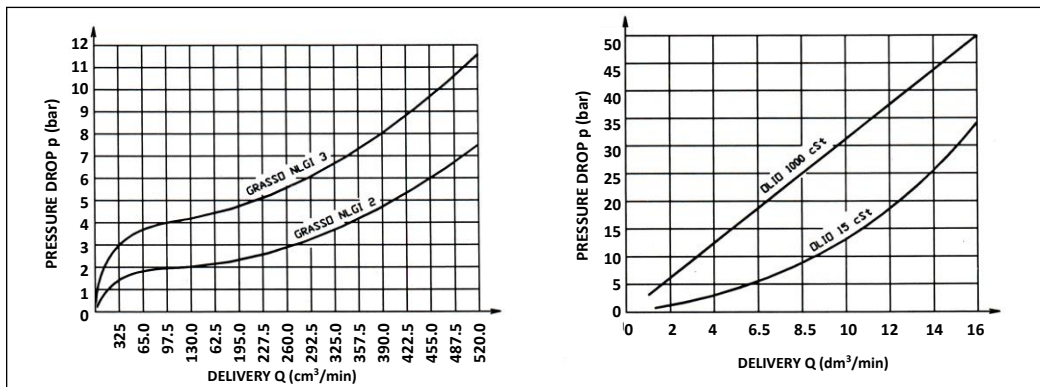
CHINA

Dropsa Lubrication Systems
(Shanghai) Co., Ltd
t. +86 (021) 67740275
f. +86 (021) 67740205

DIMENSIONS (UNSCALED)



GRAPHS OF PRESSURE DROP ACCORDING TO THE DELIVERY



TECHNICAL INFORMATION

TECHNICAL INFORMATION	
Max pressure	Oil (min. viscosity 15 cSt)
Grease max. density	NLGI 3 at operating Temperature
Operating temperature	From -20°C up to +100°C (from -4°F up to +212°F)
Voltage	12 V dc, 24V dc, 110V ac 50/60Hz, 220 V ac 50/60 Hz. (specify current and voltage when ordering)
Power	43 Watt (dc) 8 VA (ac)
Type of connection	IP65 (electric connections)
Protection degree	IP54 (coil)
Air driven	Min. 3 bar (44.1 psi) Max 5 bar (73.5 psi)
Lubricant inlet	Rp 1/4 UNI-ISO 7/1 o 1/4 NPTF
Lubricant outlet	Rp 1/4 UNI-ISO 7/1 o 1/4 NPTF

*Only use the supplied MPM connector for electrical connection

ORDERING INFORMATION

Part. No.	ELECTRIC SHUT OFF
3155116	TWO-WAY SOLENOID VALVE NC- 24 V
3155117	TWO-WAY SHUT-OFF NC -110 V AC
3155119	TWO-WAY SHUT-OFF NC C -220 V AC
Part. No.	PNEUMATIC SHUT OFF
3155145	TWO-WAY PNEUMATIC VALVE