

SPRAY VALVE FOR GREASE AND OIL - Part No. 1132300

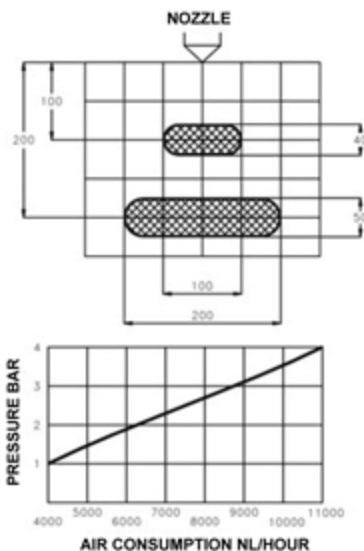
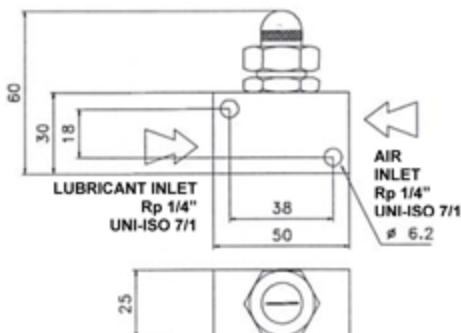
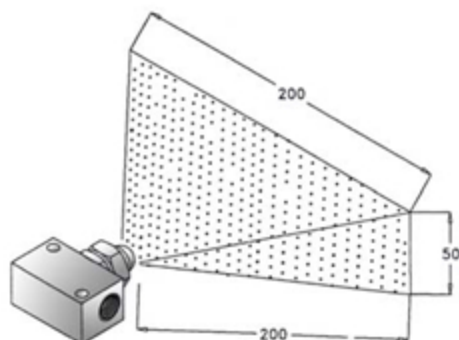


The spray valve is suitable for delivering lubricant by means of an air spray to a lubrication point. Typical applications may include open gears or rack lubrication. The air spray is automatically activated when lubricant is injected into the lubricant inlet port and de-activated when the flow stops. It is important to have a sufficient and rapid lubricant flow in order to open the air flow correctly.

Air inlet and lubricant inlet: 1/4" BSP

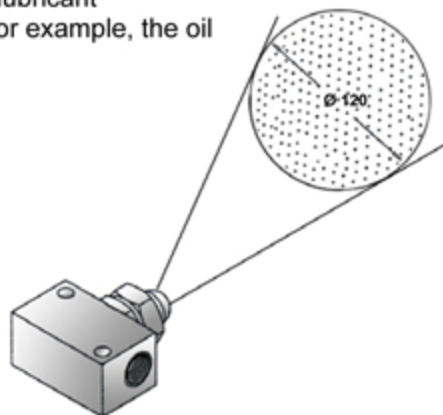
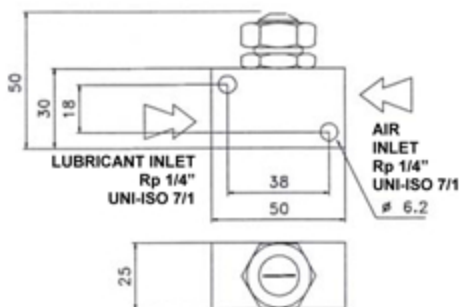
BLADE SHAPE SPRAY VALVE - Part No. 1132140

Valve for internal mixing, suitable for gear pinion applications where it is required the distribution of the grease on parts in contact. The peculiar shape of the mixing nozzle directs the lubricant only on parts in contact, avoiding – in this way – lubricant dispersion and reducing the consumption. Typical applications are, for example, the oil or grease lubrication of slides surfaces, chains and steel cables.



CONE SHAPE SPRAY VALVE - Part No. 1132100

Valve for internal mixing suitable for gear pinion applications where it is required the distribution of the grease on parts in contact. The peculiar shape of the mixing nozzle directs the lubricant only on parts in contact, avoiding – in this way – lubricant dispersion and reducing the consumption. Typical applications are, for example, the oil or grease lubrication of slides surfaces, chains and steel cables.



STRAINERS

Can be used in feed lines or for charging reservoirs. Removable filter cartridge



Strainer BSP – NPT Part No.			Filtering degree		Filtering cartridge Part No.
1/4"	3/8"	1/2"	Microns	Micro inch.	
1113235	1113245	1113255	25	.110	1113265
1113236	1113246	1113256	40	.0016	1113266
1113237	1113247	1113257	60	.0024	1113267
1113238	1113248	1113258	125	.005	1113268
1113230	1113240	1113250	150	.006	1113231
1113200	1113210	1113220	300	.012	1113205