



CHARACTERISTICS

Nominal voltage:

- 24 V DC

Lubrication line connection:

- On G $\frac{1}{2}$ " , Off G $\frac{3}{8}$ "

Ambient temperature:

- From 68 to 176 °F

Operating pressure:

- max. 100 bar (1450 psi)

FLOW REGULATOR SFE

The adjustable flow regulator with a flange structure ensures a load-independent and even flow rate for supplying hydraulic consumers. An adjusting piston, which regulates the oil flow rate, is used for the adjustment.

Mode of operation:

A measuring orifice fixed in the flow regulator determines the volume flow. A control piston ensures constant pressure difference at the measuring orifice, regardless of the pressure difference of inflow P and outflow A. The volume flow is pressure and temperature independent. The function is ensured if the pressure difference from P to A is min. 5 bar and the available volume flow is more than 10% than the relevant actual volume flow at the operating viscosity of the oil.



General

Type	Flange construction
Lubrication line connection	On G $\frac{1}{2}$ " ; Off G $\frac{3}{8}$ "
Ambient temperature	From 68 to 176 °F (from 20 to 80 °C)
Protection class as per EN60529	IP 67

Hydraulic system

Operating pressure	max. 100 bar (1450 psi)
Displacement	See order summary
Operating medium	Mineral and synthetic oils
Range of viscosity	From 10 to 750 mm ² /s

Sensor system

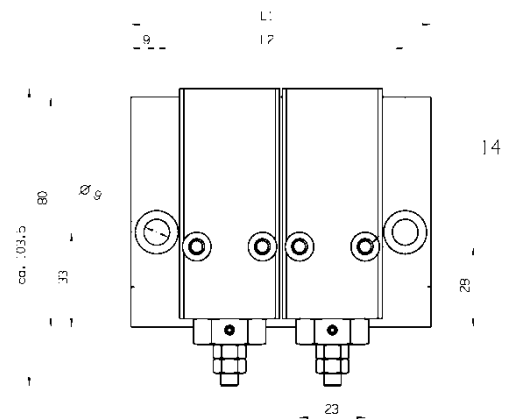
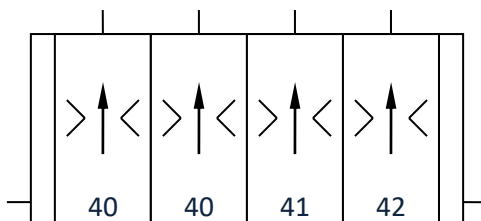
Function monitoring	
Nominal voltage	24 V DC
Switching current	≤130 mA
Connection	M12 x 1; 4-pole

Overview figures for the individual valves

Component	Flow rate	Default setting ex works	Reference number
Flow regulator	0.1-0.5 l/min	0.3 l/min	39
Flow regulator	0.4-1.0 l/min	0.7 l/min	40
Flow regulator	0.9-2.5 l/min	1.7 l/min	41
Flow regulator	2.4-5.8 l/min	4.5 l/min	42
Blanking plate			B

Order sample:

Flow regulator terminal SFE 40 – 40 – 41 - 42



Order summary

Number of flow regulators	Dimensions		Order number
	L1 (mm)	L2 (mm)	
1 times	69	51	P30021331
2 times	105	87	P30021332
3 times	141	123	P30021333
4 times	177	159	P30021334
5 times	213	195	P30021335
6 times	249	231	P30021336
7 times	285	267	P30021337
8 times	321	303	P30021338

APPLICATIONS

- Small machines

- Single point lubrication with oil

