



The DL-32 Injector series has been designed to deliver lubricant to friction points through a single pressurized lubrication line.

The DL-32 product line offers a variety of features and are adjustable to obtain specific flowrates for application requirements or end user needs.

These injectors are supplied with built-in visual level indicators to monitor operation and ensure functionality of the lubrication solution.

DL-32 injectors are available in different configurations: One to four outlets.

Every injector, mounted within a manifold, can be easily inspected, or replaced, without disassembling the entire unit or removing mainline, or secondary unaffected, fittings or piping.

These assemblies can be installed in any position and can be utilized with other styles of injectors, if necessary.



### Grease Version

LUBRICANT		FLOW RATE		WORKING PRESSURE			
Oil	Grease	Min	Max	Min	Max	Typical	Recharge
-	Max NLGI 2	0.02 cm <sup>3</sup> (0.0012 cu.in.)	0.13 cm <sup>3</sup> (0.008 cu.in.)	83 bar (1220 psi)	240 bar (3528 psi)	103 bar (1514 psi)	13 bar (205 psi)

INJECTOR FOR GREASE							
Code (steel version)	Code (steel version) push in 1/8"	Code (stainless steel AISI 304 version)	N° of outlets	Dimensions mm (inch)			
				A	B	D	F
1524521	1524751	1524921	1	44.5 - (1.75)	31.7 - (1.25)	~50 (~1.96)	~44 (~1.73)
1524522	1524752	1524922	2	63.5 - (2.5)	50.7 - (2)		
1524523	1524753	1524923	3	82,5 - (3.24)	69,7 - (2.74)		
1524524	1524754	1524924	4	101.5 - (4)	88.7 - (3.5)		

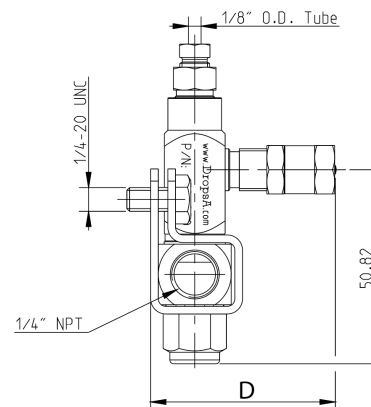
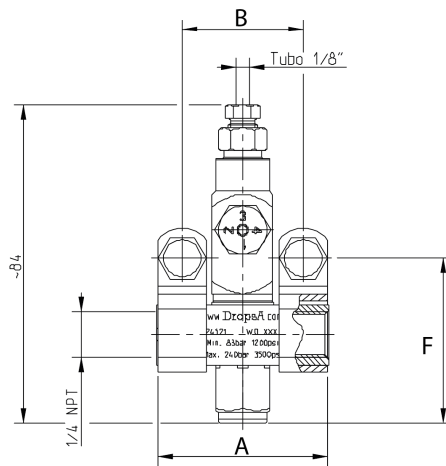
SPARE INJECTOR	
Version	Part Number
Steel, compression pipe 1/8"	1524520
Steel, push-in pipe 1/8"	1524750
Stainless steel, taper 1/8"	1524920



## Oil Version

LUBRICANT		FLOW RATE		WORKING PRESSURE			
Oil	Grease	Min	Max	Min	Max	Typical	Recharge
Min 32 cSt	-	0,02 cm <sup>3</sup> (0,0012 cu.in.)	0,13 cm <sup>3</sup> (0,008 cu.in.)	52 bar (760 psi)	69 bar (1000 psi)	59 bar (860 psi)	10 bar (145 psi)

INJECTOR FOR OIL					
Code	Outlets	Dimensions mm (inch)			
		A	B	D	F
1526221	1	44.5 - (1.75)	31.7 - (1.25)	~49 (~1.92)	~43 (~1.69)
1526222	2	63.5 - (2.5)	50.7 - (2)		
1526223	3	82.5 - (3.24)	69.7 - (2.74)		
1526224	4	101.5 - (4)	88.7 - (3.5)		
1526705	5	121 - (4.76)	108.2 - (4.26)		
1526706	6	140 - (5.51)	127.2 - (5)		
1526710	10	216 - (8.5)	203.2 - (8)		
1526715	15	311 - (12.24)	298.2 - (11.74)		



## Notes:

1. Injectors include compression nut and cone for tubing  $\varnothing$  1/8". Outlet connectors for the feed line are optional.
2. Injectors utilize FPM gaskets (392°F/200°C max). Please, check compatibility with synthetic lubricants.
3. Injectors with manifolds include two mounting clips and screws,  $\varnothing$  1/4" 20 UNC
4. Output with indicator cap is hand tightened to 0.02 cm<sup>3</sup> (0.0012 cu in).