



HAMMER 5

HYDRAULIC PUMP

Dropsa



HAMMER 5

The HAMMER 5 hydraulically actuated pump is a robust single stroke pump with a high-quality steel body and a hardened and polished piston mechanism.

It has been specially designed for use on the hydraulic breaker.

The pump provides a dose of lubricant for each fitted pump each time it is activated, and is generally connected to the hydraulic line of the breaker circuit via a control valve.

The lubricant dose allows the breaker to operate for long periods, without the need to reduce the maintenance interval while protecting against wear (common in these devices).

In general, Hammer 5 is the perfect solution for the grease lubrication of construction machinery, such as excavators and cranes equipped with a hydraulic breaker, and demolition machines when hydraulic activation is available.



CHARACTERISTICS

ROBUST AND DURABLE

SINGLE DOSE CONCEPT

MINIMUM LEVEL PROXIMITY SENSOR

LUBRICANT TYPES:
COMPATIBLE WITH GREASES
UP TO NLGI2

BUTTON VENT VALVE

TECHNICAL SPECIFICATIONS

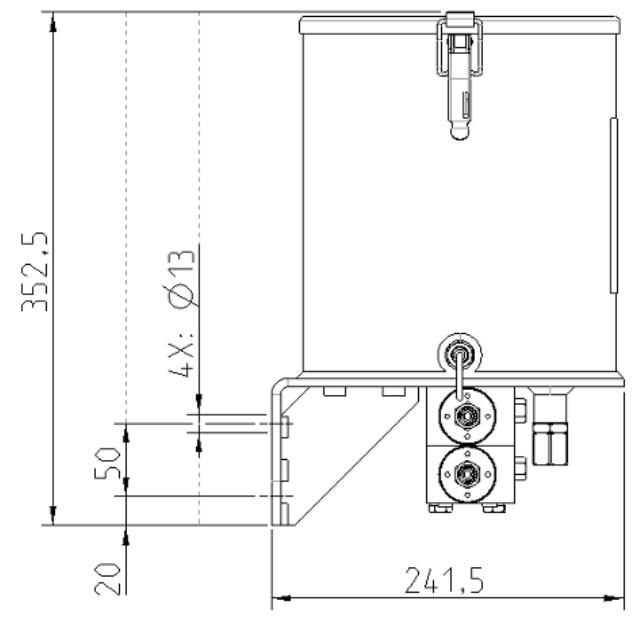
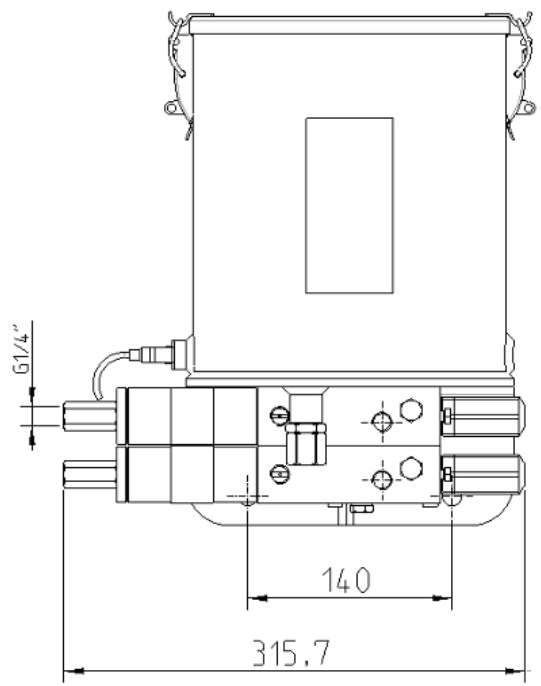
Reservoir capacity	5 Kg / 10 Kg
Level	Minimum level proximity sensor
Grease consistency	NLGI 2
Standard flow rate	Adjustable 0.6 to 4 cc/min
Optional pumping flow rate per pumping element	Adjustable 0.5 to 2 cc/min
Piloting	External 3/8 solenoid valve
Grease/Oil pressure ratio	2:1
Control oil pressure	30 - 60 bar
Oil Viscosity	15 - 2000 cSt
Operating temperature	-5 - +80

C2412PE - WK 48/23



DIMENSIONS (DRAWINGS NOT TO SCALE) 5 KG RESERVOIR VERSION

Dropsa



10 KG RESERVOIR VERSION

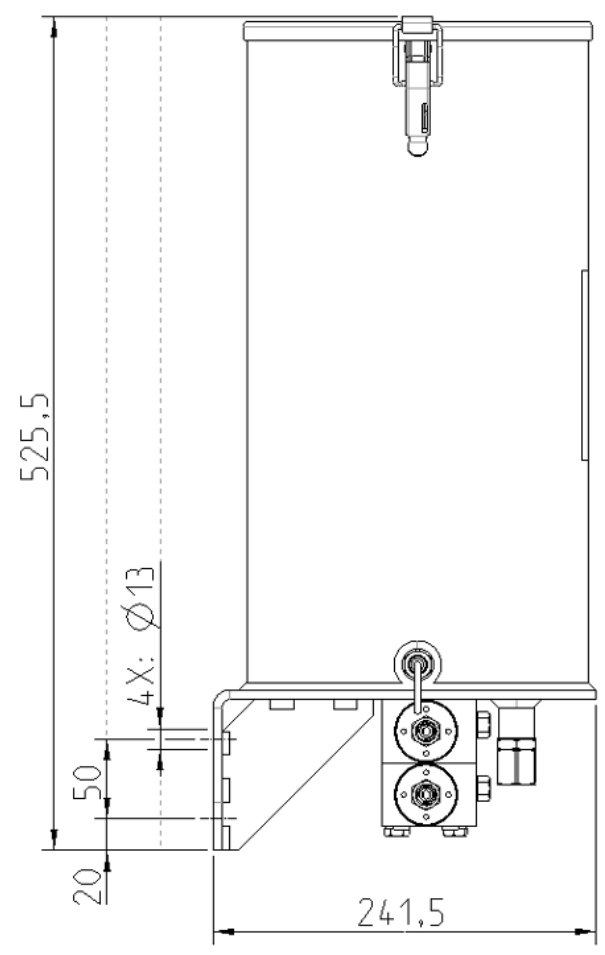
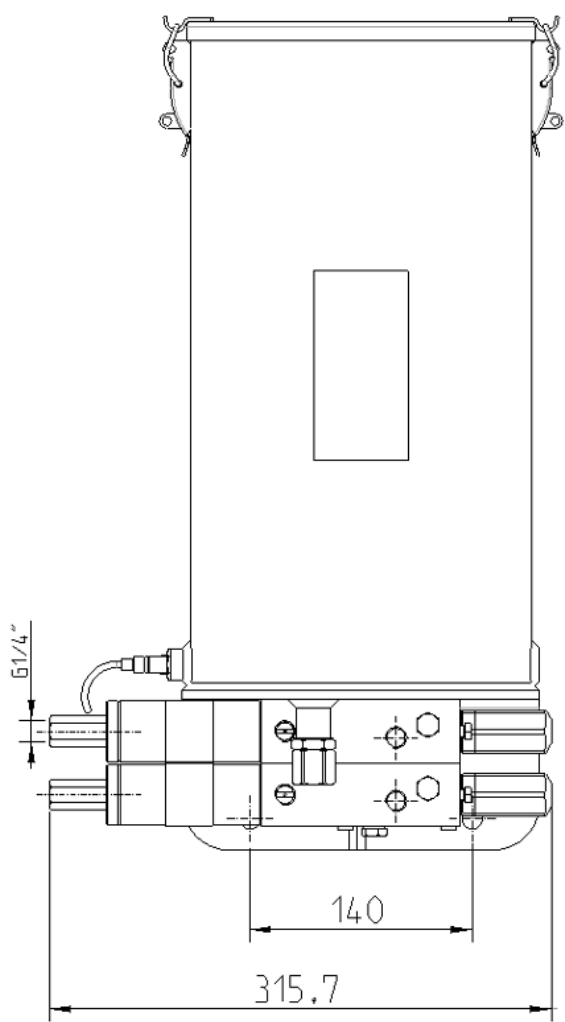
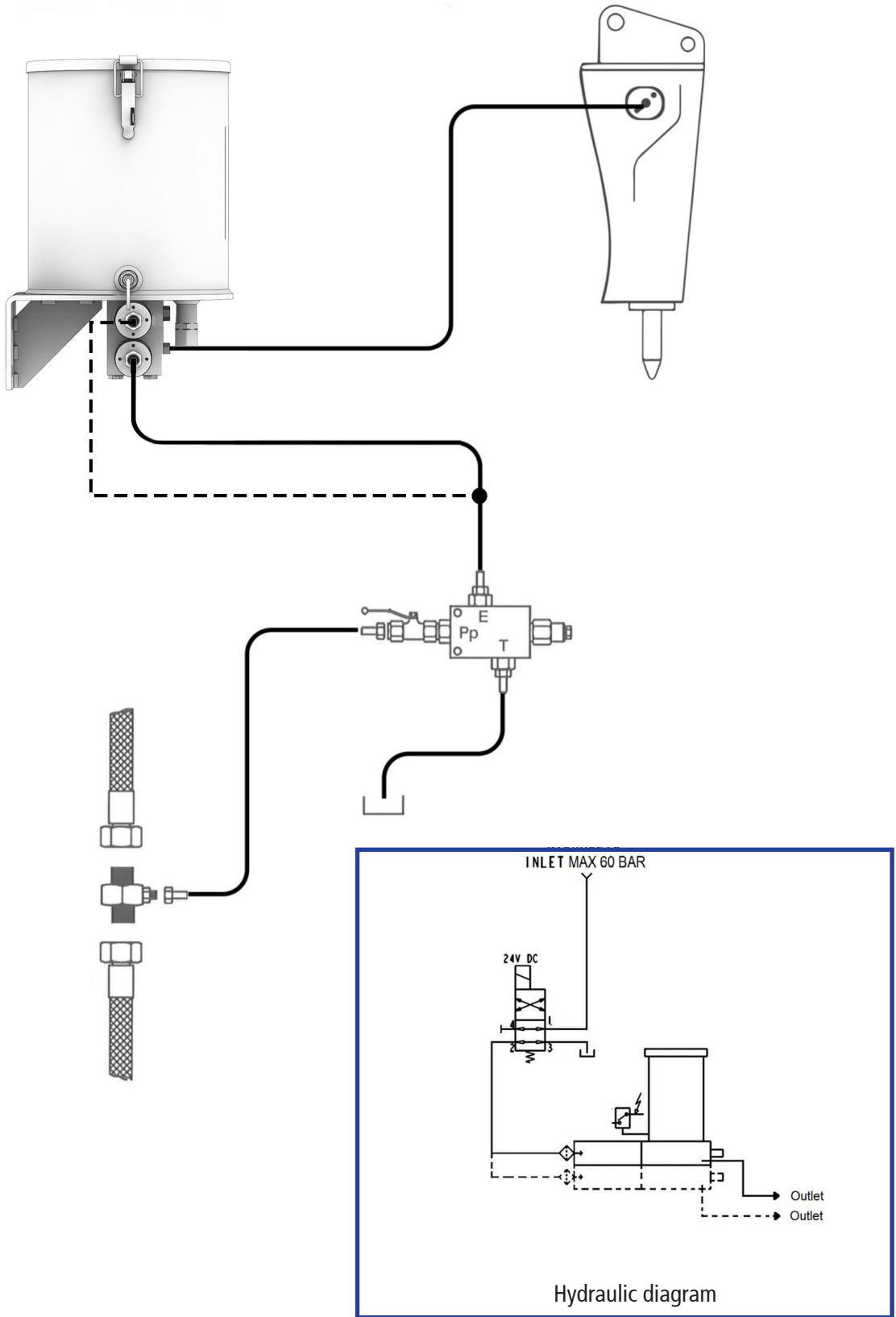




DIAGRAM EXAMPLE



ORDER INFORMATION

Dropsa



		ACCESSORIES					
Code	Description	HYD. PUMP-2:1	HYD. PUMP-4.8:1	HYD. PUMP-2 R2:1	HYD. PUMP-2 R4.8:1	SCREW CODES M6x90	SCREW CODES M6x50
3418001	HYD-PUMP-4.8:1-5KG-GREASE Ø12-Ø12	-	3099302	-	3099302	0014397	-
3418002	HYD-PUMP-2:1-10KG-GREASE Ø18-Ø18	3099300	-	3099300	-	0014397	-
3418003	HYD-PUMP-4.8:1-5KG-GREASE Ø12	-	3099302	-	-	-	0014095
3418004	HYD-PUMP-2:1-5KG-GREASE Ø18	3099300	-	-	-	-	0014095
3418005	HYD-PUMP-4.8:1_2:1-5KG-GREASE Ø12-Ø18	-	3099302	3099300	-	0014397	-
3418006	HYD-PUMP-2:1-5KG-GREASE Ø18-Ø18	3099300	-	3099300	-	0014397	-
3418007	HYD-PUMP-4.8:1-10KG-GREASE Ø12	-	3099302	-	-	-	0014095
3418008	HYD-PUMP-2:1-10KG-GREASE Ø18	3099300	-	-	-	-	0014095
3418009	HYD-PUMP-4.8:1-10KG-GREASE Ø12-Ø12	-	3099302	-	3099302	0014397	-
3418010	HYD-PUMP-4.8:1_2:1-10KG-GREASE Ø12-Ø18	-	3099302	3099300	-	0014397	-

C2412PE - WK 48/23