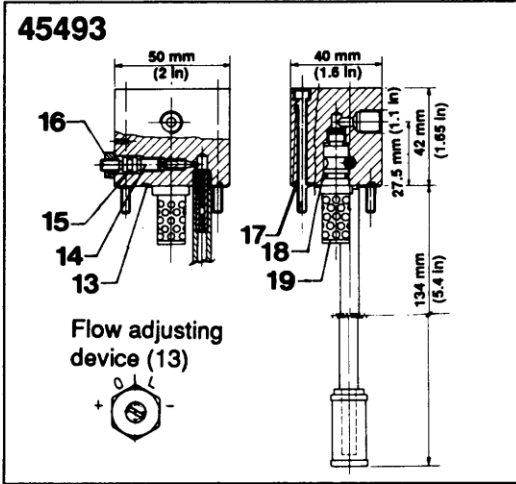




# NEBOL OIL MIST GENERATOR 40 CLM WITH MINIMUM LEVEL ELECTRIC CONTACT

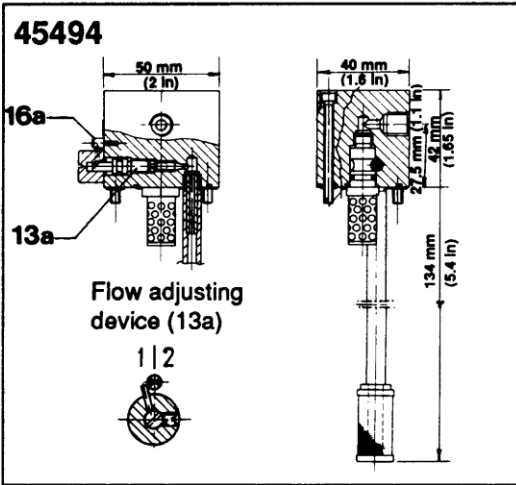
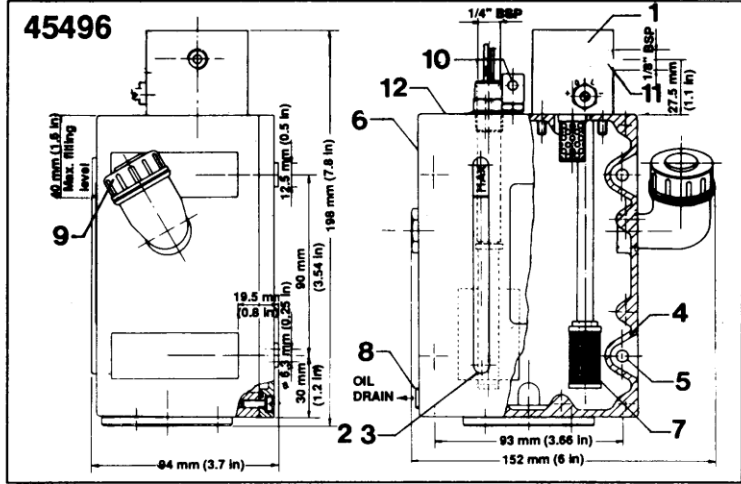
45493  
45494  
45496  
45498

## 40 CLM NEBOL MIST GENERATOR



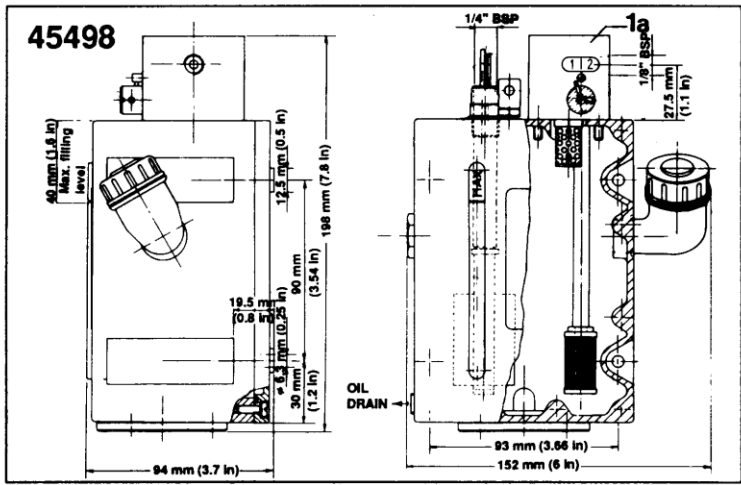
Part Number 45493 40 CLM Nebol lubricator made up of a Venturi tube with an oil filter on the suction side and of an oil flow adjusting screw with locking nut. To obtain the minimum oil flow turn the screw completely in clockwise direction and then turn it of 1/2 turn in anti-clockwise direction. The maximum flow is obtained with other two turns in anti-clockwise direction.

Part Number 45496 40 CLM Nebol mist generator composed by the lubricator 45493, oil reservoir (capacity 500 grams), minimum level electric contact and reservoir overpressure discharge valve (it opens at 3000 mm H<sub>2</sub>O)



Part Number 45494 40 CLM Nebol lubricator made up of a Venturi tube with an oil filter on the suction side and of an oil flow adjusting device with min. position (1) and max. position (2). These positions correspond to one turn and two turns of screw opening respectively. The device is calibrated at the factory in order to achieve the following deliveries:  
Position 1 = 6+7 cm<sup>3</sup> of oil per hour Position 2 = 10+12 cm<sup>3</sup> of oil per hour

Part Number 45498 40 CLM Nebol mist generator composed by the lubricator 45494, oil reservoir (capacity 500 grams), minimum level electric contact and reservoir overpressure discharge valve (it opens at 3000 mm H<sub>2</sub>O)



The following parts for the completion of the generator are available on request (see Nebol equipment 45502 + 45508): Condensate separator with automatic drain, pneumatic solenoid valve, air pressure regulator, steel sheet support and pressure-gauge.

**Warning :** The oil level in the reservoir must not exceed the Max. line of the sight level. A height of 10 mm measured on the sight level correspond to 85 cm<sup>3</sup> of oil in the reservoir.

45493  
45494  
45496  
45498

## NEBOL OIL MIST GENERATOR 40 CLM WITH MINIMUM LEVEL ELECTRIC CONTACT



Pos.	Description	Part number
1	Nebol lubricator for generator 45496	45493
1a	Nebol lubricator for generator 45498	45494
2	Sight level	3289116
3	Gasket	61152
4	Gasket	3190154
5	4 holes Ø 6,3 mm for fastening the generator to the steel sheet support	
6	Die-cast light alloy reservoir	45279
7	Oil filter	3130062
8	Oil drain	3234098
9	Oil inlet plug	3234159
10	Reservoir overpressure discharge valve	3294003
11	Air inlet Ø 1/8" BSP	
12	Oil mist outlet Ø 1/2" BSP	

Pos.	Description	Part number
13	Flow adjusting screw ( Generator 45493 )	3230104
13a	Flow adjusting device ( Generator 45494 )	3230106
14	O-Ring	61118
15	O-Ring	18803
16	Nut	45255
16a	Nut	3008126
17	Gasket	45253
18	Gasket	18807
19	Venturi tube with deflector	45238

### CONSUMPTION OF OIL MIST

CLM = consumption in liter of oil mist per minute

The consumption of the generator (see table) is referred to the consumption obtained with an air pressure of 1,4 bar (20 psi) and a temperature of 24° C.

#### NOTE

The preset air pressure must be increased at the pressure drop. This value is indicated in the drawing.

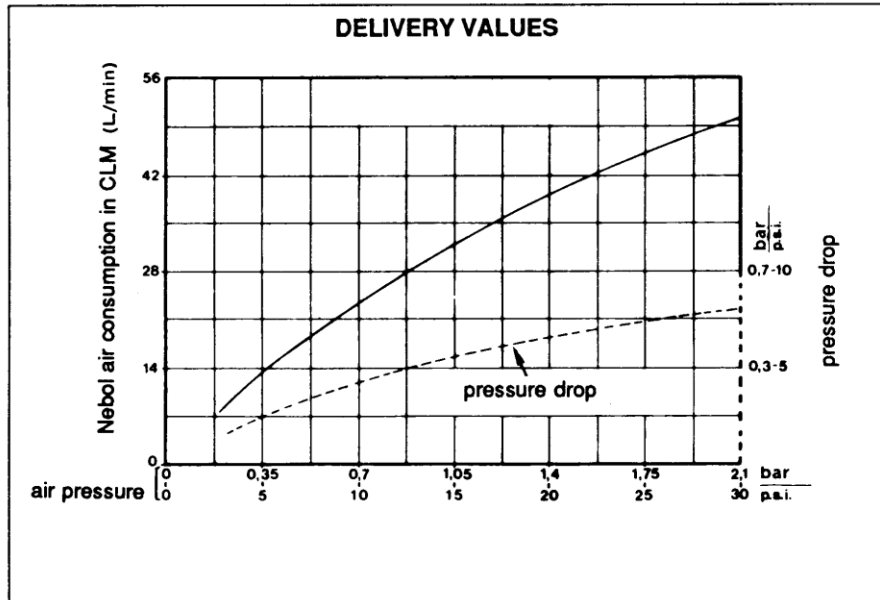
Example: The preset pressure of the generator is 1,4 bar (20 psi). The pressure drop (see table) is about 0,42 bar (6 psi). The minimum pressure from the air line must be 1,4 + 0,42 bar = 1,82 bar ( 20 + 6 = 26 psi)

### Electric data of the minimum level contact

Max. switching capacity 80 VA - 60w

Max. switching Voltage 250 V

Max. switching current 1,3A



#### ITALIA

Dropsa SpA  
t. +39 02-250791  
f. +39 02-2507976

#### CHINA

Dropsa Lubrication Systems  
(Shanghai) Co., Ltd  
t. +86 (021) 67740275  
f. +86 (021) 67740205

#### U.K.

Dropsa (UK) Ltd  
t. +44 (0)1784-431177  
f. +44 (0)1784-438598

#### U.S.A.

Dropsa USA Incorporated  
t. +1 586-566-1540  
f. +1 586-566-1541

#### GERMANY

Dropsa GmbH  
t. +49 (0)211-394-011  
f. +49 (0)211-394-013

#### AUSTRALIA

Dropsa Australia Pty  
t. +61 (02)-9938-6644  
f. +61 (0)2-9938-6611

#### FRANCE

Dropsa Ame  
t. +33 (0)1-3993-0033  
f. +33 (0)1-3986-2636

#### BRAZIL

Dropsa Do Brasil Ind.e  
Com.Ltda  
t. +55 (0)11-563-10007  
f. +55 (0)11-563-19408