

CHARACTERISTICS

- **PUMP CAPACITY: 4.5 G OF LUBRICANT PER STROKE.**
- **LOW FLOW AND HIGH PRESSURE.**
- **LUBRICANT OUTLET 3/8 CONICAL GAS**

HIGH PRESSURE HAND PUMP

These pumps have a robust design and long life, and are used with a suitable choice of adaptable attachments for direct point lubrication.

They are ideal for low flow and high pressure, delivering 4.5 g of lubricant per stroke with a maximum back pressure of 350 bar.

Once manually controlled, the pressure is released in the delivery tube and the lubricant flow is interrupted when the handle is placed in rest position.

The pump is supplied with a filter.



Parts of position 1 to position 26 make up the pump unit code 133070

- Code 133070 components
- Code 133004 components (position 13)
- Code 1113210 components (position 26)

Item	Name	Code	Qty
11	Nipple 3/8 Gas - Ch 19	0133085	1
12	Needle valve	0132021	1
□13	12 kg piston rod	0133004	1
□14	Rod	0133082	1
15	Copper seal	3190124	1
16	Pipe	0133005	1
17	Plate	0133006	1
18	Cap	0133007	1
19	Leather gasket	0133008	3
20	Valve - Ch 16	0133009	1
21	Piston	0133002	1
22	Splint	0018735	1
●23	Elastic ring	0234062	1
24	Cylinder	0133003	1
25	Copper seal	0133010	1
○26	Grease filter - 3/8 conical gas	1113210	1
○29	Filter grease cartridge	1113205	1
30	Spring	1113208	1
32	TE screw	0011376	2
33	Elasticated rosette	0016009	2
34	Hexagonal nut	0016404	2
35	12 kg reservoir pressure disc	0133050	1
36	Handle	0133022	1
37	Elasticated rosette	0016228	2
38	Hexagonal nut	0016408	1
39	Standard plate	3310100	1
40	1 Kg reservoir	0132100	1
41	Cover	0133301	1
42	Decal Dropsa Italiano	0132041	1

Ite	Name	Code	Qty
●	Pump with grease filter	0133070	1
●1	Lever	0133020	1
2	Pin	0151020	3
3	Splint	0018741	3
4	Gasket P5	0018821	1
5	Bush boss 30	0132017	1
6	Guarnital seal	0132018	1
7	Oleolite seal	0132019	1
8	Copper seal	0132020	1
9	Fork	0151019	1
10	Pump body	0133001	1

APPLICATIONS

- **DIRECT POINT LUBRICATION**



BARREL PUMPS - PISTON

PUMP MAINTENANCE

Cleaning of the pump is recommended at least once a year. In case of working in dusty environments or with the use of additive lubricants, cleaning must be performed more frequently.

To perform cleaning, unplug the pipes, remove the pump assembly from the casing and clean the mesh of the filter group with petrol or oil.

Pump petrol or oil, carefully wipe the inside of the bottle and repeat the operation with fluid oil.

LUBRICANTS

Use quality lubricants, free from corrosive and solid substances.

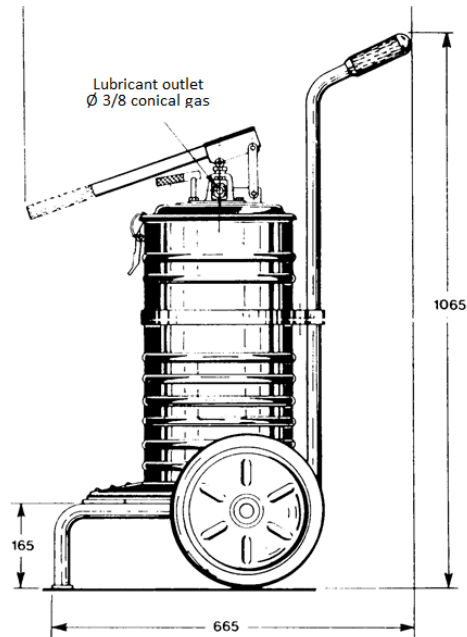
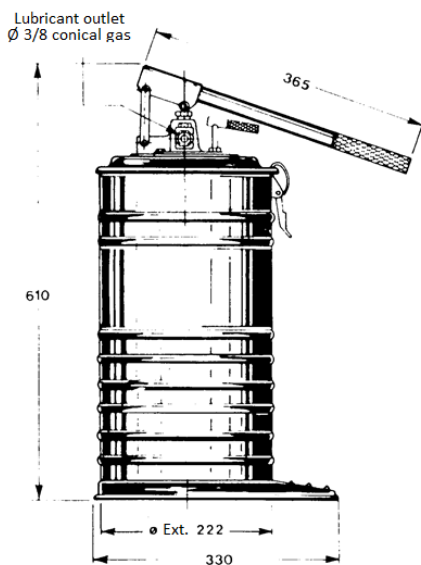
Use grease with good pumping characteristics (minimum penetration index 280/300 ASTM)

DIMENSIONS (DRAWING NOT TO SCALE)

Code 254800 – Trolley mounted pump. Weight approx. 17.500 Kg

Code 1140000 – Trolley; Weight approx. 8.600 Kg

Code 133000 – Pump; Weight approx. 8.900 Kg



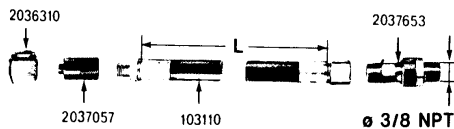
ORDER INFORMATION

BARREL DELIVERY (Kg)	PART NUMBER
Approx. 8.900	0133000
Approx. 8.900	1140000
Approx. 17.500	0254800

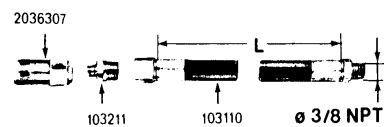
ACCESSORIES

(To be ordered separately)

To order a flexible hose, add to the part number the length L in cm (overall)



Set Code 0101835 - Flex Ø 10x22 with button head attachment. Standard type



Set Code 0101820 - Flex Ø 10x22 with hydraulic head for loading.



Set Code 0101840 - Flex Ø 10x22 with button head attachment. Giant type



Set Code 0101831 - Flex Ø 6x16 with hydraulic head.

Distributor Info: