

CHARACTERISTICS

- **FLOWRATE:**
0,06 - 0,10 - 0,16
- **DIFFERENT DOSAGES ARE AVAILABLE ON REQUEST**
- **1 way: 90°**
2 ways: 180° and 90°
3 ways: 180°

33V JET METERING VALVE

This valve is part of the 33V valves system family, and is used where it becomes necessary to apply a selected dosage of oil in thin jet.

In some cases it can be mounted a small distance from the lubrication point, about 10 cm³, with oil from 32 to 220 cSt.

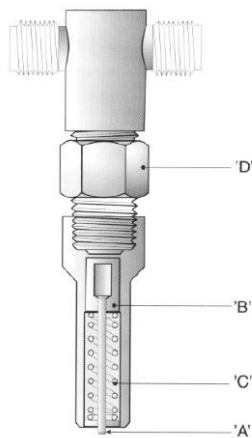


OPERATION:

The quantity of oil discharged from the distributor encounters a flow resistance caused by the restrictive pin hole diameter "A" of the piston "B".

The resistance opposes a force exerted on the piston "B" pushing it forward while compressing the spring "C". The oil accumulated between the piston "B" and the Valve "D" is accelerated into the nozzle "A" and generates the required jet.

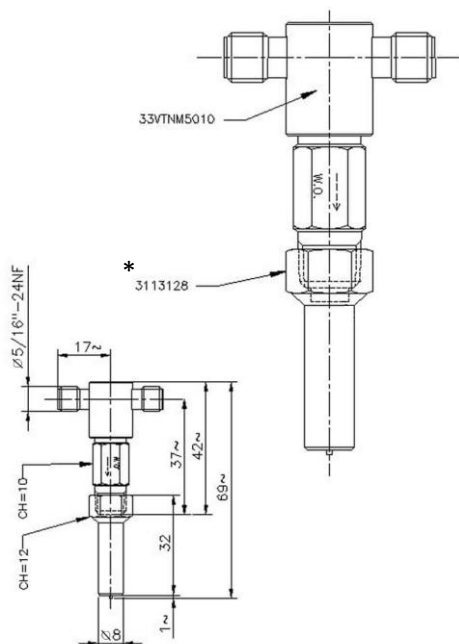
Note: The part numbers shown apply to the 0,10cc dosing valve. Different dosages are available on request.



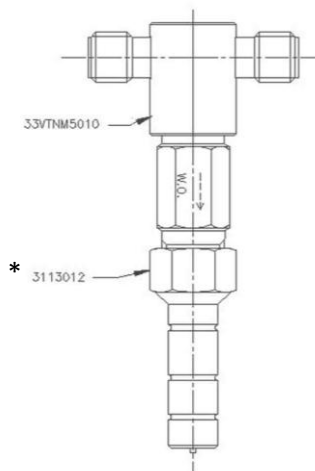
PART NUMBER AND DIMENSIONS

2 way 180° - 0,10 cm³

Part number 3083170

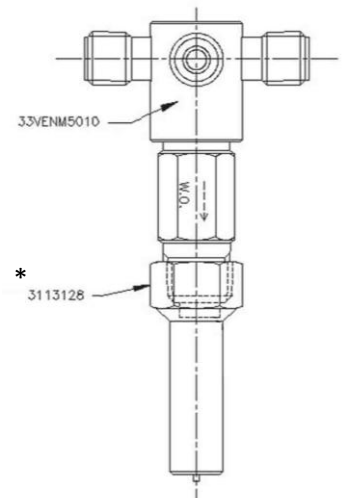


Part number 3083177



3 ways 180° - 0,10 cm³

Part number 3083198

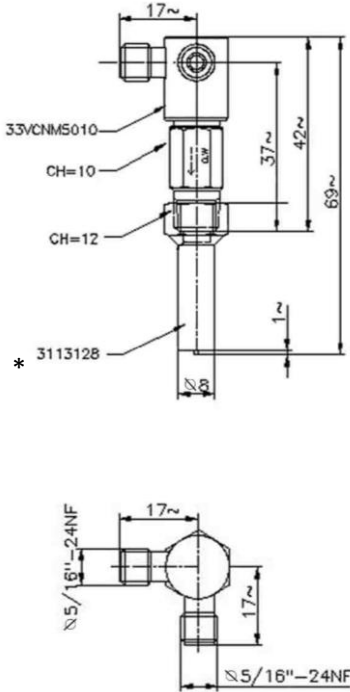


*NOTE:

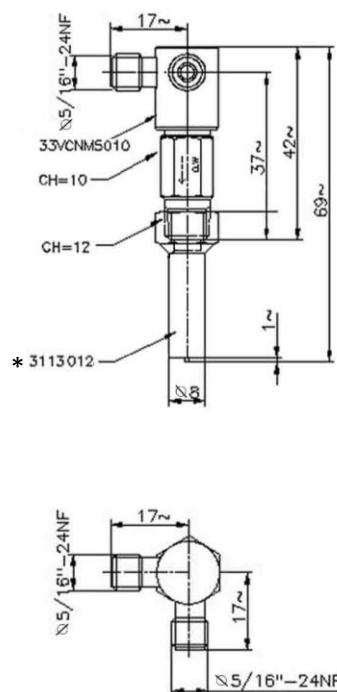
Part number 3113128 cylindric needle body for flat body
Part number 3113012 cylindric needle body for elastic ring fixing

2 ways 90° - 0,10 cm³

Part number 3083172

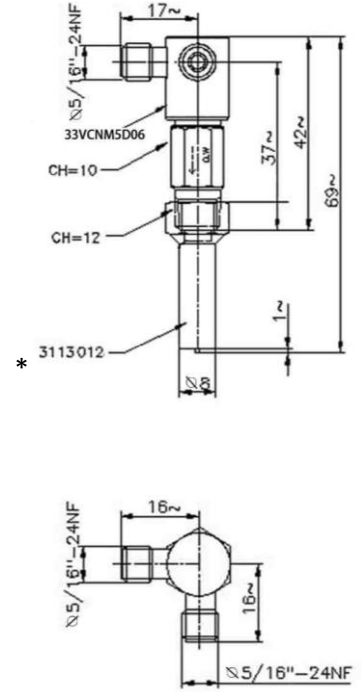


Part number 3083179



2 ways 90° - 0,06 cm³

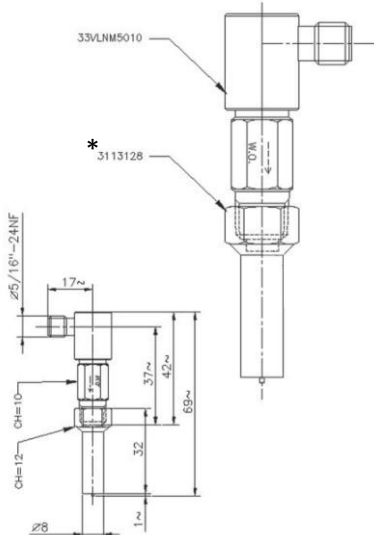
Part number 3083188



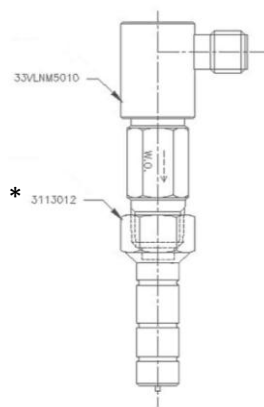
1 way 90°

0,10 cm³

Part number 3083171

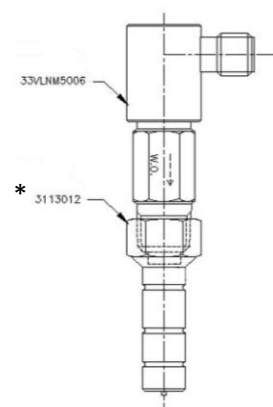


Part number 3083178



0,06 cm³

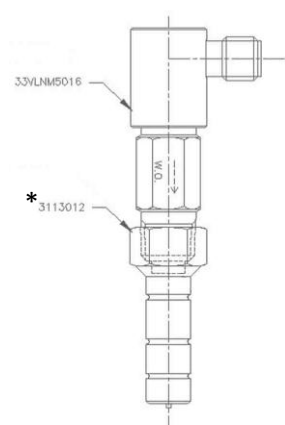
Part number 3083183



Cod. 3083185 suitable for rotary connector (valve 33VLCM5006)

0,16 cm³

Part number 3083195



Part number ACCESSORIES

Compression cone (1)	Nut (2)	Insert (3) (nylon tubing only)	Tube (4)
0093004	0091354	0201359	∅ 4

