



# FEEDER BLOCK SERIES AG6

Adjustable Discharge 0,25 - 3 cc. per/stroke  
(.015-.183 cu. in. / stroke)  
Dual Line System

671200 671300  
671310 672300  
672200 672310  
673300 673200  
673310 673400  
674200 674310

ENGLISH

## PRODUCT DATA SHEET

### DESCRIPTION:

The feeder body is made of special anti-friction steel. Pistons are made of tempered steel. Bores and pistons are lapped to provide superior sealing. The indicator turrets are provided with integral adjusting screws together with a metacrylate cover and seal. On request an aluminum cover can be supplied. The feeder body has a galvanized finish and features an adaptor for single or double outlet conversion.

### SPECIFICATION:

- Temperature range: -30 to +80°C.
- Max. pressure (inlet): 400 bar (5800 psi.)
- Cycles: 100/min.
- Min. Viscosity: 100 cSt (462 SSU)
- Grease Max.: 265 ASTM (NLGI 2)\*
- Connections:
  - Inlet: 3/8"
  - Outlet: 1/4"

(\*) For different type of grease please contact your supplier

In installations where backpressure is detected at the outlets of the feeder blocks, a check valve must be fitted to each outlet (see following page).

### ORDERING INFORMATION:

Ordering is by Part No., refer to the following table:

Thread.	Part No.	Weight.		No. Elements.
		Kg.	Lbs.	
Dropsa Standard BSP	671300	1,600	3.52	1 - 2
	672300	2,250	4.95	2 - 4
	673300	2,950	6.49	3 - 6
	674300	3,550	7.81	4 - 8
Din 3852 x BSP	671200	1,600	3.52	1 - 2
	672200	2,250	4.95	2 - 4
	673200	2,950	6.49	3 - 6
	674200	3,550	7.81	4 - 4
NPTF	671310	1,600	3.52	1 - 2
	672310	2,250	4.95	2 - 4
	673310	2,950	6.49	3 - 6
	674310	3,550	7.81	4 - 8

**Function:**(Refer to Figs. 1 and 3.) The feeder discharge is controlled by a servo -piston ( A ) and a metering piston ( B ) and can be arranged to provide a single or double outlet. Fig. D-E = 2 separate outlets Fig. F-G=1 outlet. Feeders are normally supplied with double outlets unless otherwise specified. Retrospective conversion can be undertaken by fitting adaptor Y (Part No. 622076) for single outlet and X (Part No. 622077) for double outlet (see following page). When single outlet feeders are used the discharge per complete cycle = 0,5-6 cc./stroke.(.03 - .366 cu. in./stroke)

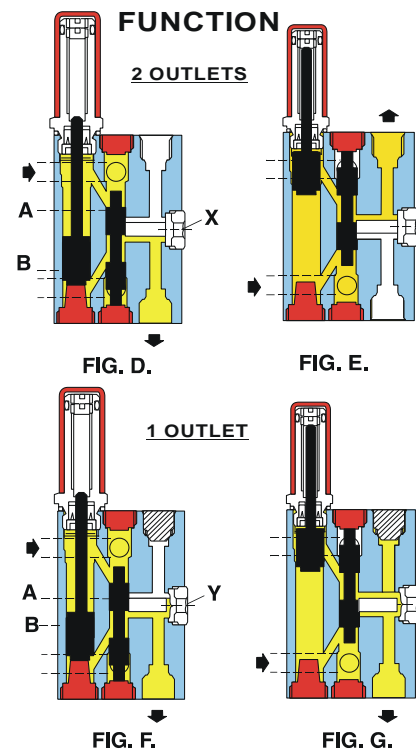


The double outlet adaptor (Part No. 622077) is identifiable by two parallel line markings in the centre; the single outlet adaptor (Part No.622076) has a circular marking only.

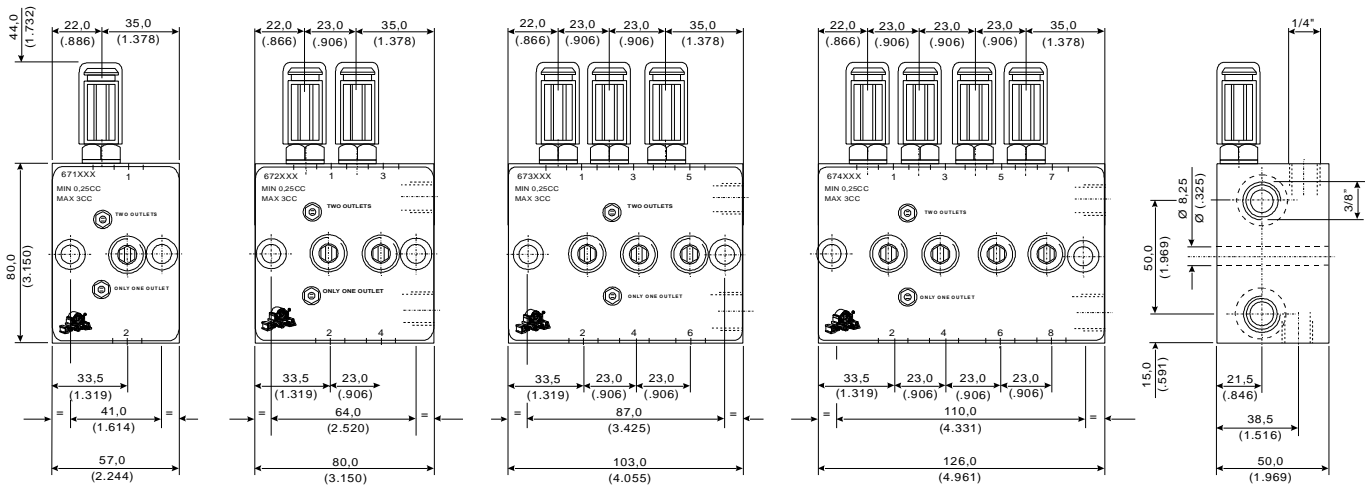
### Dimensions:

Mounting: (Refer to Fig. 2.)

Aluminum bushings (Part No. 3008107) are supplied



for mounting on uneven surfaces to prevent distortion or damage due to over tightening.



Dropsa Standard feeder blocks are normally supplied with outlets having a conical seating for Ø8 mm. (5/16") tube. This is simple and cost effective as no fitting is required.

If required a check-valve **Part No. 92313** BSP or **Part No. 92340** NPTF can be fitted at the outlet. Order separately.

1/4" BSP  
1/4" NPTF

Aluminium cover (optional)  
**Part No. 618215**  
Metacrylate cover  
**Part No. 671028**

DROPSA STANDARD				
Reducer	Cone	Bush	Ø Tube	Plug
<b>671038</b>	<b>93006</b>	<b>92014</b>	Ø 6	<b>91011</b>
	<b>93008</b>	<b>92053</b>	Ø 8	<b>91011</b>

Seal  
**Part No. 671001**

INLET 3/8"

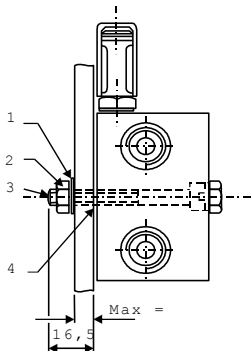
OUTLET 1/4"

DROPSA STANDARD DIN 3852 BSP Ø mm.				
Plug	Tube Ø	Nut	Ring	Fitting
<b>926002</b>	Ø 10	<b>91406</b>	<b>91601</b>	<b>92269</b>
	Ø 12	<b>91411</b>	<b>91607</b>	<b>92240</b>
	Ø 16	<b>91416</b>	<b>91612</b>	<b>92241</b>
NPTF DRY SEAL Ø INCHES				
<b>850282</b>	Ø 3/8	<b>850202</b>	<b>850222</b>	<b>850255</b>
	Ø 1/2	<b>850203</b>	<b>850223</b>	<b>850257</b>
	Ø 5/8	<b>850204</b>	<b>850224</b>	<b>850259</b>

DIN 3852 BSP Ø mm				
Fitting	Ring	Nut	Ø Tube	Plug
<b>91952</b>	<b>91590</b>	<b>91396</b>	Ø 6	<b>622167</b>
<b>91959</b>	<b>91596</b>	<b>91401</b>	Ø 8	
<b>91966</b>	<b>91601</b>	<b>91406</b>	Ø 10	
NPTF DRY SEAL Ø INCHES				
<b>850250</b>	<b>850220</b>	<b>850200</b>	Ø 1/4	<b>850281</b>
<b>850252</b>	<b>850221</b>	<b>850201</b>	Ø 5/16	
<b>850254</b>	<b>850222</b>	<b>850202</b>	Ø 3/8	

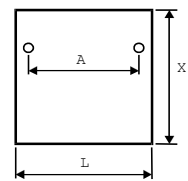
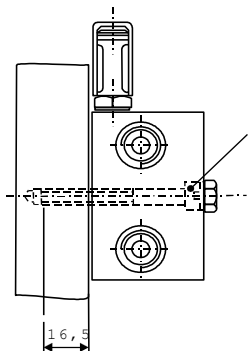
- The double outlet adaptor (**622077**) is identifiable by two parallel line markings in the center; the single outlet adaptor (**622076**) has a circular marking only.

WELD PLATES FOR FEEDERS



The fixing parts which are to be ordered

Pos.	Part	Qty	Descripti	
• 1	16012	2	Spring	Metric
• 2	16406	2	Nut M8 -	
• 3	12552	2	Screw M8 x 60	
4	3008107	2	Bushing	
• 1	16012	2	Spring	Inch
• 2	16500	2	Nut 5/16-24 UNF x 2-	
• 3	12561	2	Screw 5/16-24 UNF x 2-	
4	3008107	2	Bushing (3 - 4)	



Pos	Part	Dimensions		
		A	L	X
1	<b>111581</b>	41 (1.614)	60 (2.362)	140 (5.511)
2	<b>111582</b>	64 (2.520)	85 (3.346)	140 (5.511)
3	<b>111583</b>	87 (3.425)	110 (4.330)	140 (5.511)
4	<b>111584</b>	110 (4.330)	130 (5.118)	140 (5.511)

**ITALIA**  
Dropsa SpA  
t. +39 02-250791  
f.+39 02-2507976

**U.K.**  
Dropsa (UK) Ltd  
t. +44 (0)1784-431177  
f. +44 (0)1784-438598

**GERMANY**  
Dropsa GmbH  
t. +49 (0)211-394-011  
f. +49 (0)211-394-013

**FRANCE**  
Dropsa Ame  
t. +33 (0)1-3993-0033  
f. +33 (0)1-3986-2636

**CHINA**  
Dropsa Lubrication Systems  
(Shanghai) Co., Ltd  
t. +86 (021) 67740275  
f. +86 (021) 67740205

**U.S.A.**  
Dropsa USA Incorporated  
t. +1 586-566-1540  
f. +1 586-566-1541

**AUSTRALIA**  
Dropsa Australia Pty  
t. +61 (02)-9938-6644  
f. +61 (0)2-9938-6611

**BRAZIL**  
Dropsa Do Brasil Ind.e  
Com.Ltda  
t. +55 (0)11-563-10007  
f. +55 (0)11-563-19408