



OPTILEV - INFRARED LEVEL SENSOR

CHARACTERISTICS

- OIL AND FLUID GREASE (NLGI 000) LEVEL SENSING
- WORKING TEMPERATURE -20 °C TO +70 °C

APPLICATIONS

- LEVEL DETECTION IN NON PRESSURIZED CONTAINERS IN GENERAL
- HYDRAULICS TANKS
- LUBRICATION TANKS

THE COST EFFECTIVE O.E.M. SINGLE SOLUTION FOR FLUID AND SEMI FLUID LEVEL SENSING.

The Infrared refractive Sensor Level is a compact sensor designed for OEM application that allows to detect the presence of lubricants or other liquids in reservoir or containers.

There are no moving parts providing much higher reliability compared to level sensors that use floats or other mechanical means of detecting the presence of the substance.

Using a built in trimmer it is possible to adjust the sensitivity of the sensor according to the lubricant used should this be necessary.

OPERATING PRINCIPLE

This sensor uses a simple operating principle based on the refraction of the Infrared light emitted by the sender towards the receiver.

When fluid is present between the transmitter and receiver infrared light is refracted (or completely blocked) by the fluid and the intensity detected by the receiver changes. This switches an dual NPN/PNP output that can be interfaced with a remote PLC via the top connector.

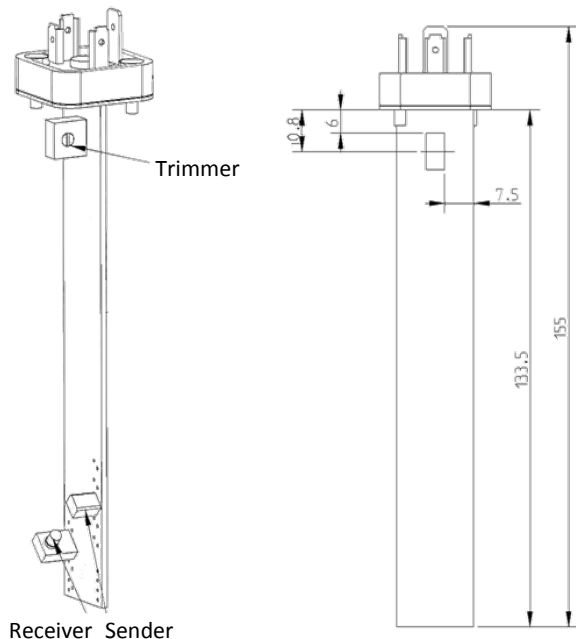
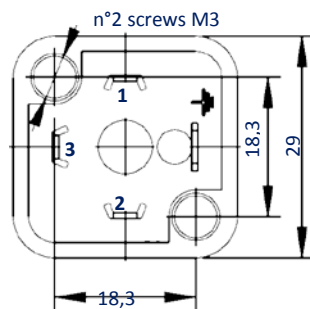
This device is intended for use in high volume OEM applications as the sensing height is predetermined during the manufacturing process. The coloration of the lubricating does not affect the operation of the sensor. Completely pure transparent liquids may not be suitable for this device.

Please contact Dropsa for sensor configuration for your OEM application.



DIMENSIONS

CONNECTIONS	
1	V+ (8÷28 Vdc)
2	V- (GND)
3	Out N
	Out P



TECHNICAL INFORMATION

TECHNICAL CHARACTERISTICS	
Power supply	8 ÷ 28 Vdc Reverse polarity
Short circuit protection	INCLUDED
Output signal	1,7 A PNP/NPN
LED Indicator	Green
Working temperature	-20 ÷ +70 °C
Material	PCB with transparent coating

ORDERING INFORMATION

AVAILABLE VERSIONS		
Description	Height	Part number
Infrared Sensor Level	111 mm	1639201
	204 mm	1639202

C2156PE WK 07/16

I prodotti Dropsa sono acquistabili presso le filiali Dropsa e distributori autorizzati, consulta il sito www.dropsa.com/contact o scrivi a sales@dropsa.com

Info Distributor: