

# DropsA

Lubrication systems specialists

## PAPER AND WOOD





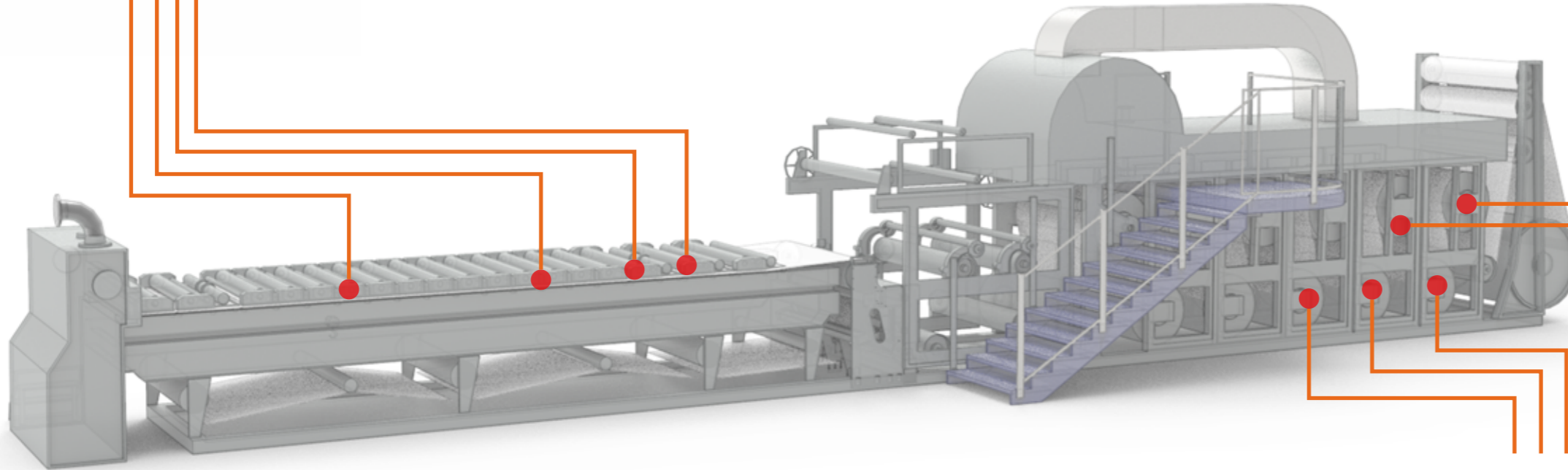
**OIL RECIRCULATION UNIT**

The oil recirculation provides a continuous flow of the lubrication to the lubrication points, with control of both the quantity and the temperature of the fluid. An oil recirculation lubrication system is truly efficient when the lubricant distribution adjustment and control for each lubrication point is precise and punctual. When the oil goes through the lubrication point, it acts not only as a lubricant but it also eliminates the heat of the bearing or the area lubricated. The lubrication units from DropsA, in addition to the oil recovery and filter reservoir, have heaters, heat exchangers, filters, regulators and measuring and control instruments, designed and selected specifically for the needs of the customer and the system and following the reference standards.



**FACT CONTROLLER**

The new version of the FACT Controller together with the FLOWMASTER II can be used in any type of application that requires the control of the flow of lubricant delivered. A maximum of 7 "FACT Controller - EXPANDER" expansions can be connected to the central unit. Each unit manages 16 FLOWMASTERS II, reaching a whole capacity of control of 128 FLOWMASTERS II. System modularity allows system expansion without replacing the controller.



**DUAL-LINE DIVIDERS  
MONOBLOCK OR MODULAR**

**FLOWMASTER II**

Is a flow volumetric device which allows the constant monitoring of the lubrication delivering. As the measurements are volumetric, they don't depend on temperature or viscosity but they assure an accurate control without the need of any set up or compensation. Liquid flowing through the meter module moves a "satellite" which describes in a fixed orbits. Every orbit is monitored by an optical sensor that transmits the signal to a control device. The operator may read the liquid delivering in litres per minute or the revolutions number per minute directly from the FACT Controller device-display or from a PC monitor software.



**LUBRICATION UNIT**

When the bearing speed is not high and oil recirculation is not necessary, but only correct lubrication of the points, oil units can be used to take the lubricant to the progressive or dual-line dividers and then to the final points. The units created by DropsA can be 100% customised on various components: the reservoir (which can be 100 litres up to 2000 litres depending on consumption), the filters and the pumping units (which can be redundant or not), the operating logic and the types of signals that come from instruments or levels (digital analogue, IOLink, etc.). Various accessories can also be added to make the system independent, such as: - the electrical control panel, the oil heaters, thermostats and pressure sensors to have a system that is always efficient and monitored.





**SINGLE LINE VALVES, SERIES "01"**



The series "01" divider valves are intermittent or continuous divider valves that are used for the lubrication of high-precision mechanisms or for high speed bearings where a continuous film of oil must be maintained.



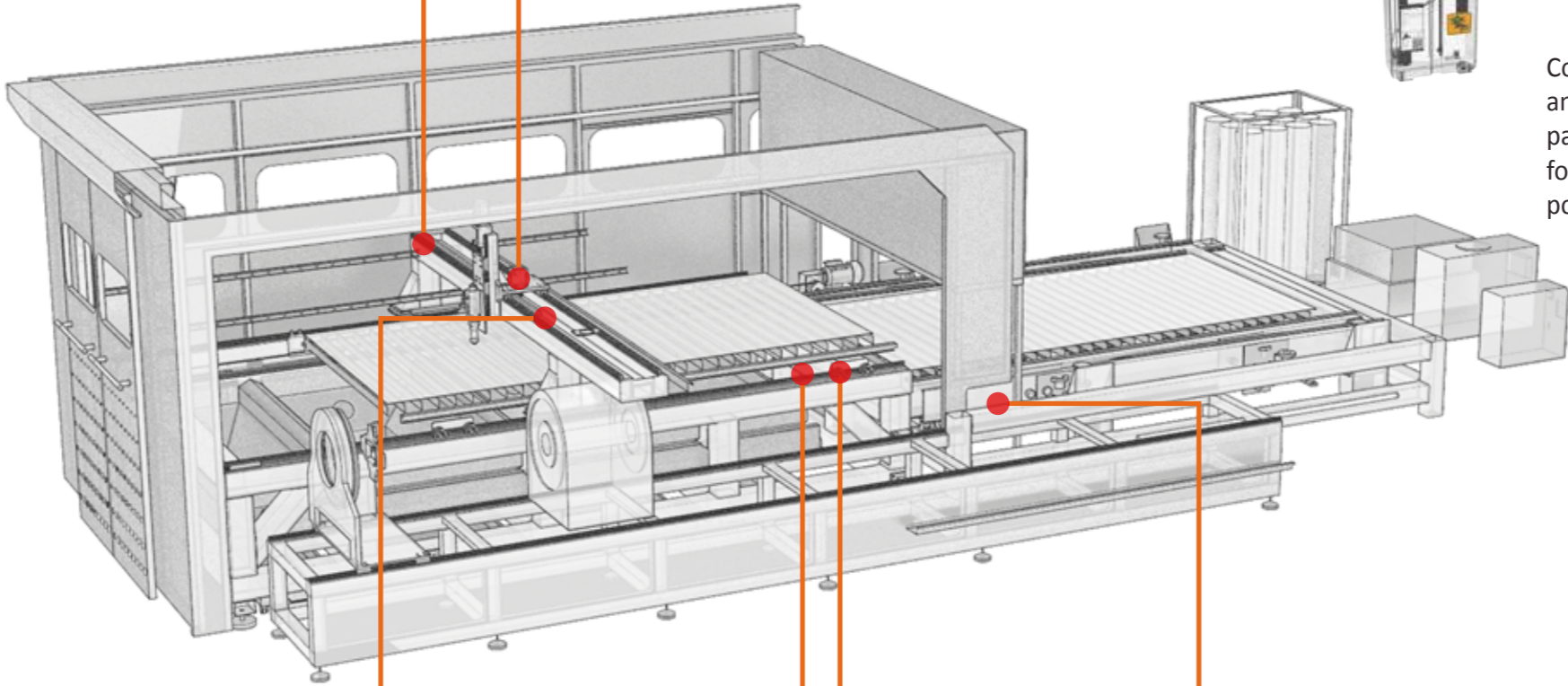
**Smart3**

Compact and versatile pump, the perfect solution for oil and fluid grease lubrication. Thanks at 2 available versions, the lubrication cycle can be managed by an external PLC (MANUAL VERSION) or with an integrated controller board (AUTOMATIC VERSION).



**DragonX**

Compact and versatile pump that joins efficiency and performance in a simple all-inclusive pump package for injector and progressive systems both for oil and fluid grease NLG000. The external position of the pressure manifold block that houses



**SMO - SMX - Np - NpR + SERIES DIVIDERS**

The progressive dividers in the SMO, SMX, Np and NPR+ series are often used. Each of the DropsA modular divider families can be selected depending on the points to be lubricated and consumption. All the SMO, SMX, Np and NpR+ supplied with ULTRASENSOR type cycle count and control sensors in order to guarantee maximum reliability of the system and perfect control of the work cycles.



**LOCOPUMP S3**

The Locopump S3 grease is an ideal single acting pneumatic grease pump generally used in single line progressive divider lubrication systems. The transparent reservoir allows the user to clearly see the quantity of grease remaining and a low level grease switch is present to provide remote alarm signals to the machine it is mounted on. Additionally, the reservoir lid can be modified to install a High level or a Dropsa continual level sensing device.

Automatic lubrication: optimisation of costs and work times



The use of lubrication systems is even more indispensable for the correct operation of machines when they operate in difficult environmental conditions such as those in paper and wood mills. The installation of an automatic lubrication system allows machine down times to be reduced and allows consumption of the lubricant to be controlled and the life of the bearings, chains and gears to be increased.

Thanks to their many years of experience and a capillary network of branches and resellers all over the world, DropsA provides specific solutions for every need and follows the customer from the definition of the project to the installation to post sales support. The solutions proposed for the paper and wood sector are applicable on all the various types of machinery:



CNC WORK CENTRES



BEAM SAWS



PRESSES



PAPER MILL DRYER CYLINDERS



PAPER MILL FELT GUIDE

Systems Solutions



TOTAL LOSS LUBRICATION



GREASE LUBRICATION



AIR/OIL LUBRICATION



OIL RECIRCULATION LUBRICATION



MQL NEAR DRY MACHINING LUBRICATION

DropsA

Since 1946, DropsA has been producing systems and components for centralised lubrication, continuously developing new products and patents that have contributed to making the lubrication sector all over the world more innovative and competitive.

DropsA offers a vast range of products capable of maximising the profitability and productivity of your machinery, providing the latest technologies in terms of systems, functionality and components. Thanks to the branches and the specialised distribution channels, DropsA provides prompt responses, support and assistance to customers on a local or global level, guaranteeing the same high quality standards all over the world.



DropsA Production

The production, processing and automated assembly systems that are in the central plant near Milan are equipped with an advanced quality monitoring and product traceability system in order to guarantee both highly efficient processing and product assembly that accurately reflects the technical specifications.

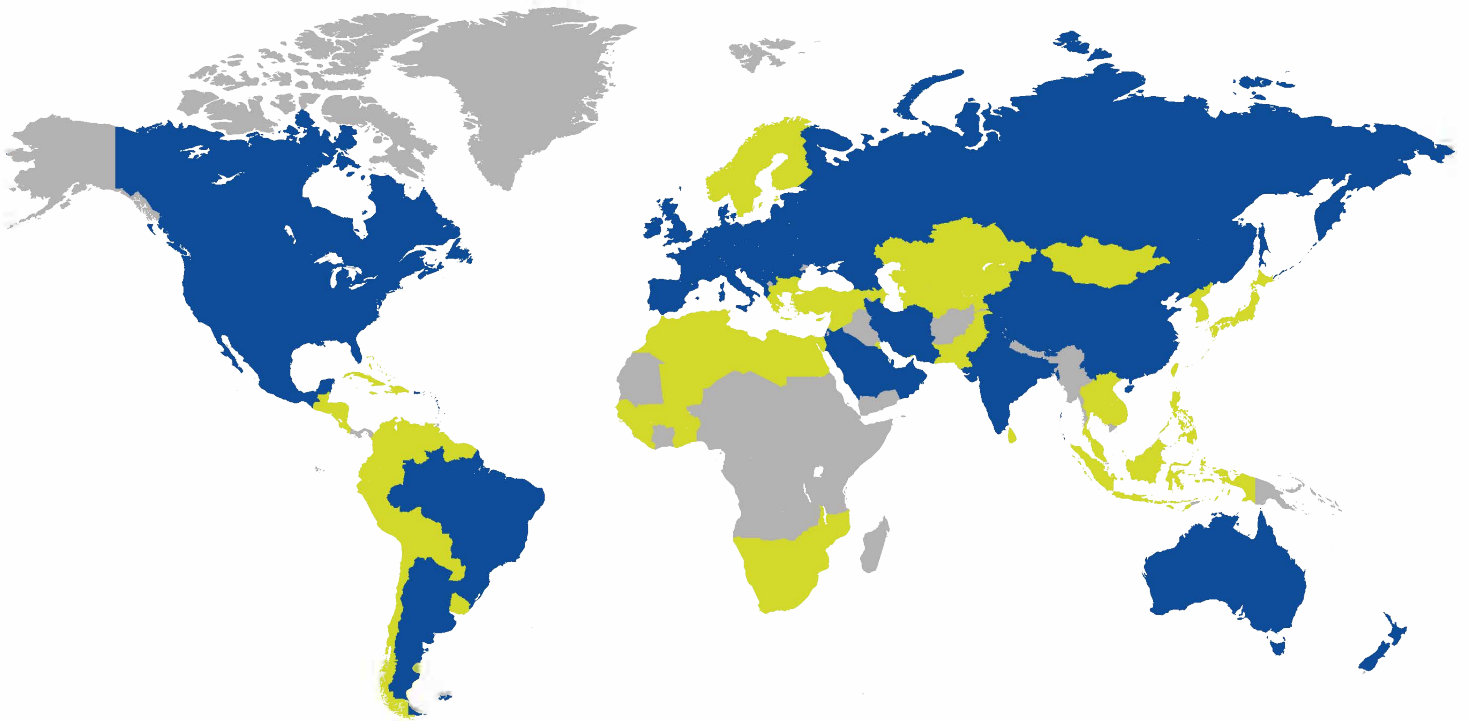
Continuous investments in all of the areas of design, engineering and production of the products ensure a constant increase in the reliability of the products themselves.



---

# DropsA

Lubrication systems specialists



**@DropsA #LubricationSystems #Solutions #Innovation #Technology**