

### CHARACTERISTICS

- HIGH PERFORMANCE LEVELS
- LOW COST
- COMPACT

## VIP4 AIR CONTINUOUS AIRFLOW

**A FULL SOLUTION FOR LUBRICATION AIR/OIL WITH A CONTINUOUS AIRFLOW**

**A COMPLETE RANGE OF COMPONENTS AND ACCESSORIES FOR AIR/OIL LUBRICATION**

The lubrication system **VIP4Air/continuous airflow** has been designed to have high performance levels at a low cost and, furthermore, it is characterised by a compact design.

**Designed to be used on:**

- **mandrels;**
- **tool machines.**

The control panel consists of a central control unit that manages the entire system, thereby regulating and controlling the function of the divider and mixer modules, composed of a pneumatically actuated mini-pump and a mixer base.

The mini-pumps are equipped with a series of spacers that allow for the flow rate to be varied, thereby being able to meet any possible requirement. A flow regulator is integrated into the mixer base that is used by the central control unit to verify that the apparatus is functioning properly.



### APPLICATIONS

- MANDRELS;
- TOOL MACHINES

*The modular design of the system makes it extremely versatile; up to a maximum of 8 mixer bases can be installed.*

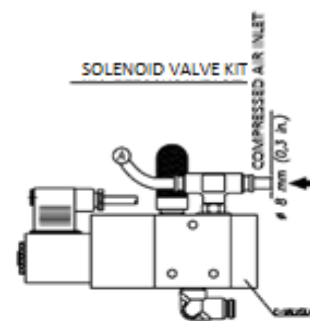
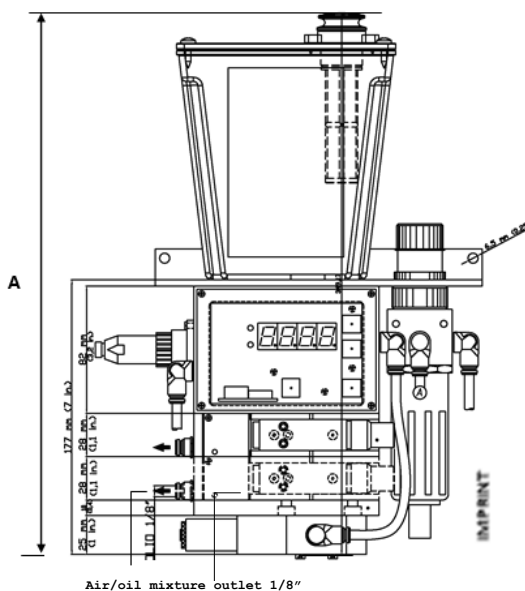
### VIP4AIRAIR/CONTINUOUS AIRFLOW VERSIONS:

MINI-PUMP NO.	24V	110V
1	3135171	3135201
2	3135172	3135202
3	3135173	3135203
4	3135174	3135204
5	3135175	3135205
6	3135176	3135206
7	3135177	3135207
8	3135178	3135208

### TECHNICAL CHARACTERISTICS

Supply voltage	24VAC – 110VAC
Power consumption	10W
Air supply pressure	5÷8 bar (73.5÷117.6 SUS)
Lubricant	Synthetic mineral oil
Oil viscosity (at operating temperature)	32÷220 cSt (149.9÷1018 SUS)
Output signal	Remote alarm contact: max 250 V 1 A NO/NC
Operating temperature	+5÷+55°C (+41÷ +131°F)
Operating humidity	90% max.
Protection degree	IP-44
Temperatura d'immagazzinamento	-20÷+65°C (-4÷+149°F)

### DIMENSIONS



No. MINI-PUMP	A		WEIGHT	
	mm	in.	Kg.	lb
1	353	13	3.8	8.4
2	381	14.1	4.3	9.5
3	409	15.2	4.8	10.6
4	437	16.3	5.3	11.7
5	465	17.6	5.8	11.7
6	493	18.5	6.3	13.9
7	521	19.6	6.8	15
8	549	20.7	7.3	16

### ORDER INFORMATION

CODE:	DESCRIPTION OF ACCESSORIES AND SPARE PARTS
3044335	Complete reservoir
3130139	Oil filling filter
3155148	EV - 24VAC
3155149	EV - 110V/50 Hz CA
1524408C	Mixing base with flow regulator
3103115C	Pneumatic mini-pump complete with a set of washers + 2 screws 14067
5717300	Tube, flexible Ø4 mm (0.15 in.)
5717301	Tube, flexible Ø6 mm (0.23 in.)
5717302	Tube, flexible Ø8 mm (0.3 in.)
1639111	Power connection module 24VAC
1639112	Power connection module 110VAC
1639115	Connector + connection cable (2 m)(6.5 ft.) (optional)
3233188	Spacer 30 mm <sup>3</sup> /cycle
3233191	Spacer 15mm <sup>3</sup> /cycle
3233193	Spacer 7 mm <sup>3</sup> /cycle