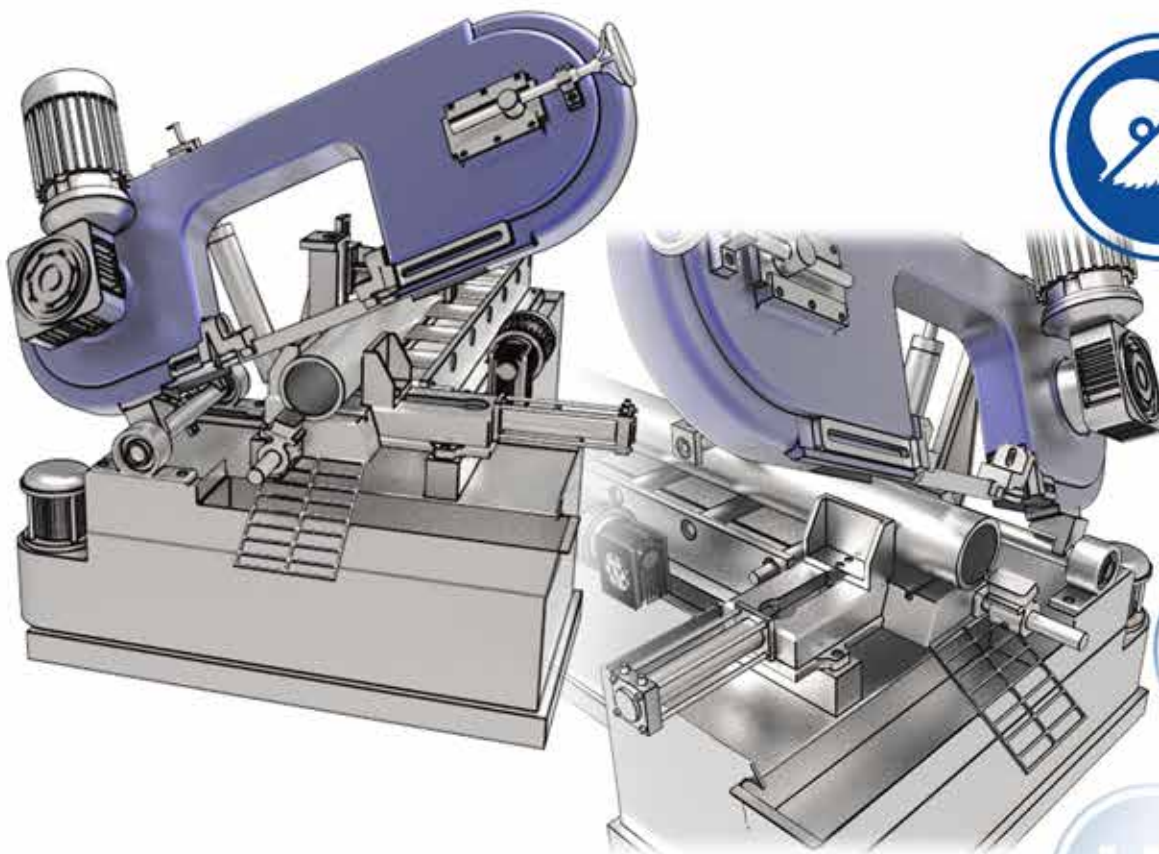


DropsA

Lubrication systems specialists

SAW SOLUTIONS





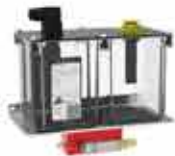
VIP4 AIR /CHAIN/
CONTINUOUS AIR



VIP4 TOOLS/OIL/
TOOLS COAXIAL



VIP4 TOOLS PRO



VIP4TOOLS
DOUBLE EFFECT

DropsA Vip4: Series of products

These small all-enclosed devices are ideal for use on small systems and offer fully integrated control and monitoring in a single compact package.

Typical applications: High Speed Bearings, Spindle Lubrication in machine tool, Micro-Spray Coating applications, Gear Lubrication, Chain Lubrication and Cleaning.

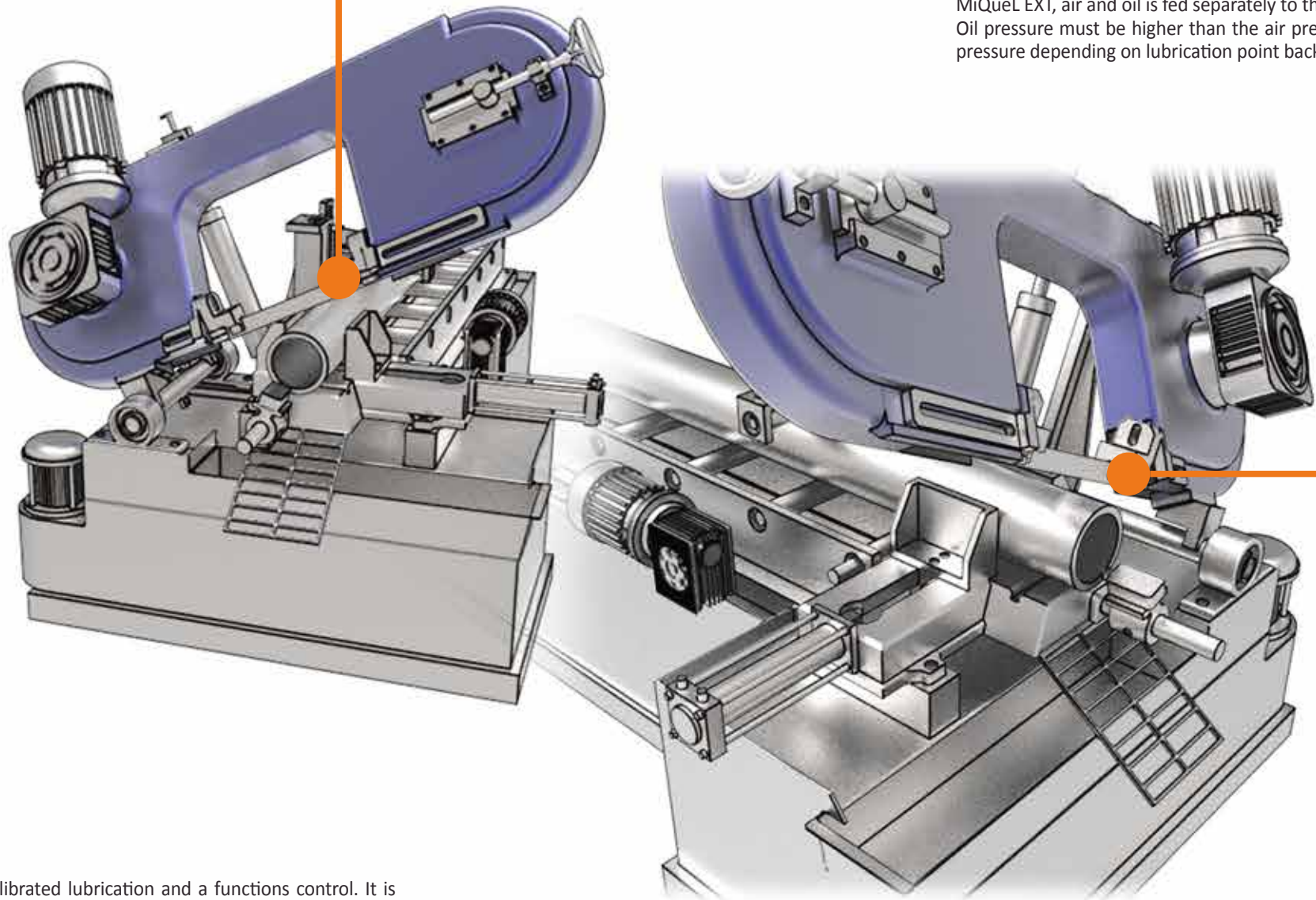
The Vip4 Air System offers one of the most compact and feature rich air/oil systems available for spindles and it is able to achieve a significantly

reduced amount of lubricant dispensing and monitoring via a unique differential magnetic field monitoring concept.

Positive feedback is a must for such systems!

A variant of the Vip4 Air, specifically aimed at Chain or Conveyor application can be used in any application where the lubrication cycle is not time driven but impulse driven.

On a typical chain application, a sensor connected to the Vip4Chain monitors the number of links passing across the lubrication nozzle and fires a micro quantity of oil onto the point thus increasing chain or conveyor life without lubricant wastage that can drip off the chain and contaminate the industrial process.



MiQueL EXT - External pump

Air/Oil Modular systems MiQueL EXT (External Pump source version), are centralized minimal lubrication modules engineering with separate pressurized reservoir or external lubricant pump. All the MiQueL technology easily deployed around your applications.

MiQueL EXT, air and oil is fed separately to the modules.

Oil pressure must be higher than the air pressure. The PRO versions will automatically balance oil pressure depending on lubrication point back pressure.



MiQueL

It can be used on all the systems that need a calibrated lubrication and a functions control. It is possible to insert up to 8 elements connected among themselves that can be individually controlled via an integrated solenoid. For each single element it is possible to control individually oil and air delivery or use all the modules in tandem making the system easy to configure for each user application and control system. The system includes a scavenge device that rapidly recoils oil from the delivery line to prevent lubricant drip when powered down.



Band saw nozzles

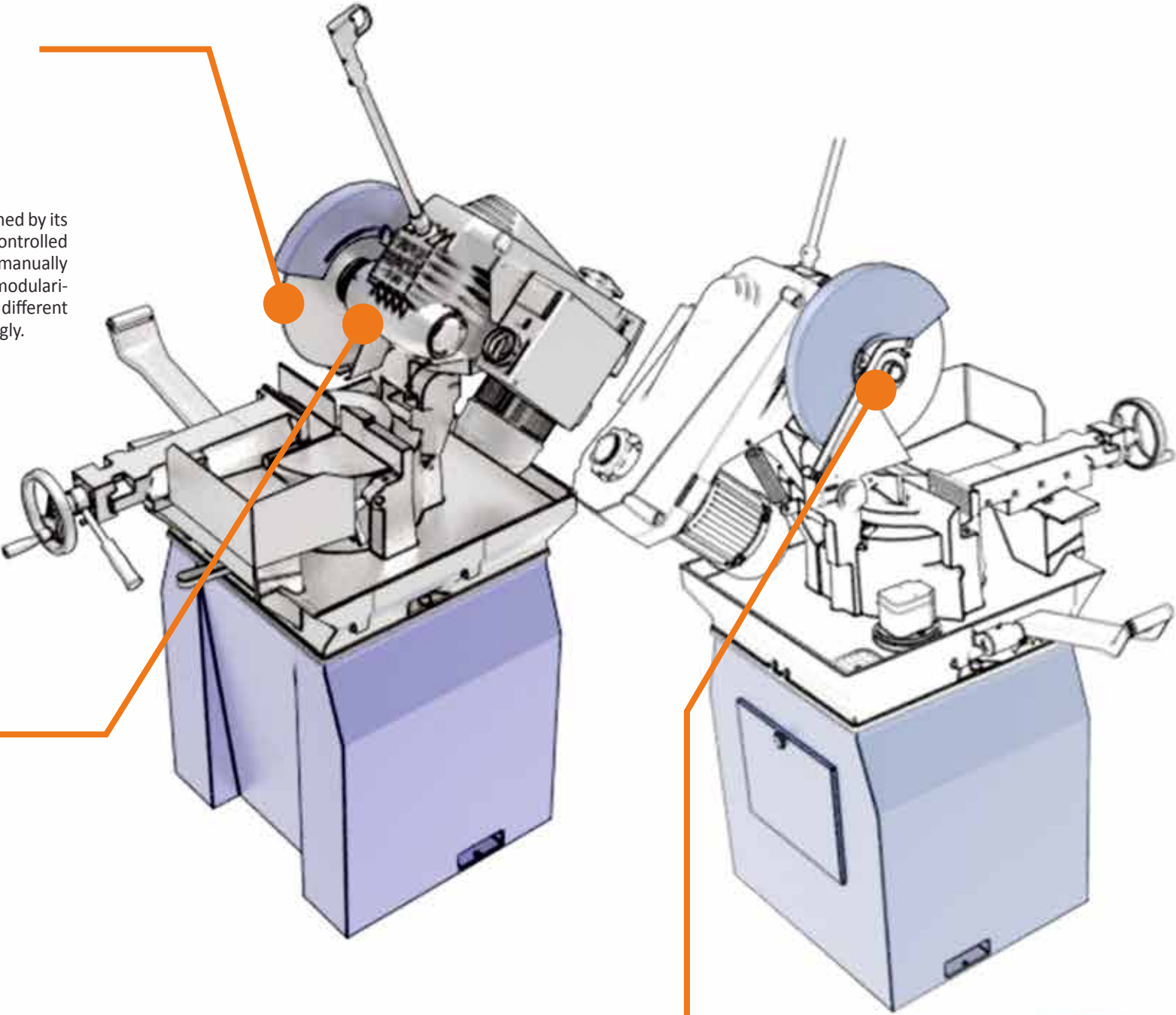
These special nozzles are specific for band saw that allows lubricating both the working area and the side surface.



TECHNOSYSTEMS
A DropsA Company

STANDARD UNITS IN THERMOPLASTIC CASING

Designed for high performance at a low cost, it is distinguished by its compactness. The system comprises a pneumatically controlled mini-pump and the mixer base. The mini-pump can be manually regulated to cover a wide range of needs (0-30 mm³). The modularity of the system allows extreme versatility by allowing different numbers of base mixing-manifolds to be installed accordingly.



TECHNOSYSTEMS
A DropsA Company

STANDARD OPEN UNITS

These units comprise an assembly of components selected on the basis of the function for which they are intended. It is therefore possible to assemble different capacity tanks with a variable number of 1 to 4 micropumps and with the addition, as requie, of a pneumatic frequency generator and an electrovalve switch. In addition, it is possible to produce units which serve two distinct purposes with independent intervention frequency and lubricant jet characteristics



TECHNOSYSTEMS
A DropsA Company

END NOZZLES FOR BLADES

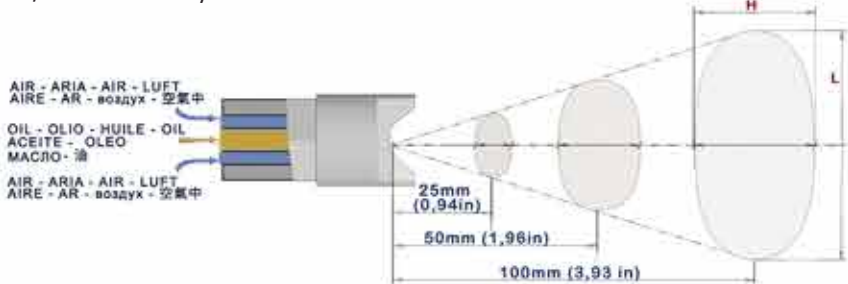
Lubrication of cutting disks and belts is achieved using end nozzles for blades. These specific nozzles enable both the work area and the adjacent side surface to be reached with air/oil. There are two available versions, one for small dimension blades with 3mm opening and a single supply line, and one for large dimension blades with 6 mm opening and three supply lines.





Coaxial Nozzle

Flat Cone 60°
Coaxial Nozzle for air/oil lubrication systems



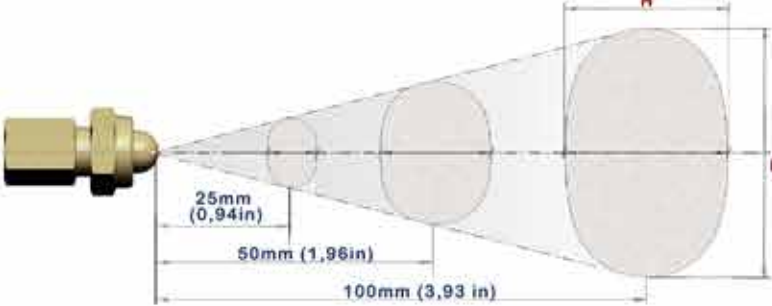
Coaxial Nozzle

FThreaded coaxial nozzle with cone shape spray
Coaxial Nozzle with head threaded and shape spray



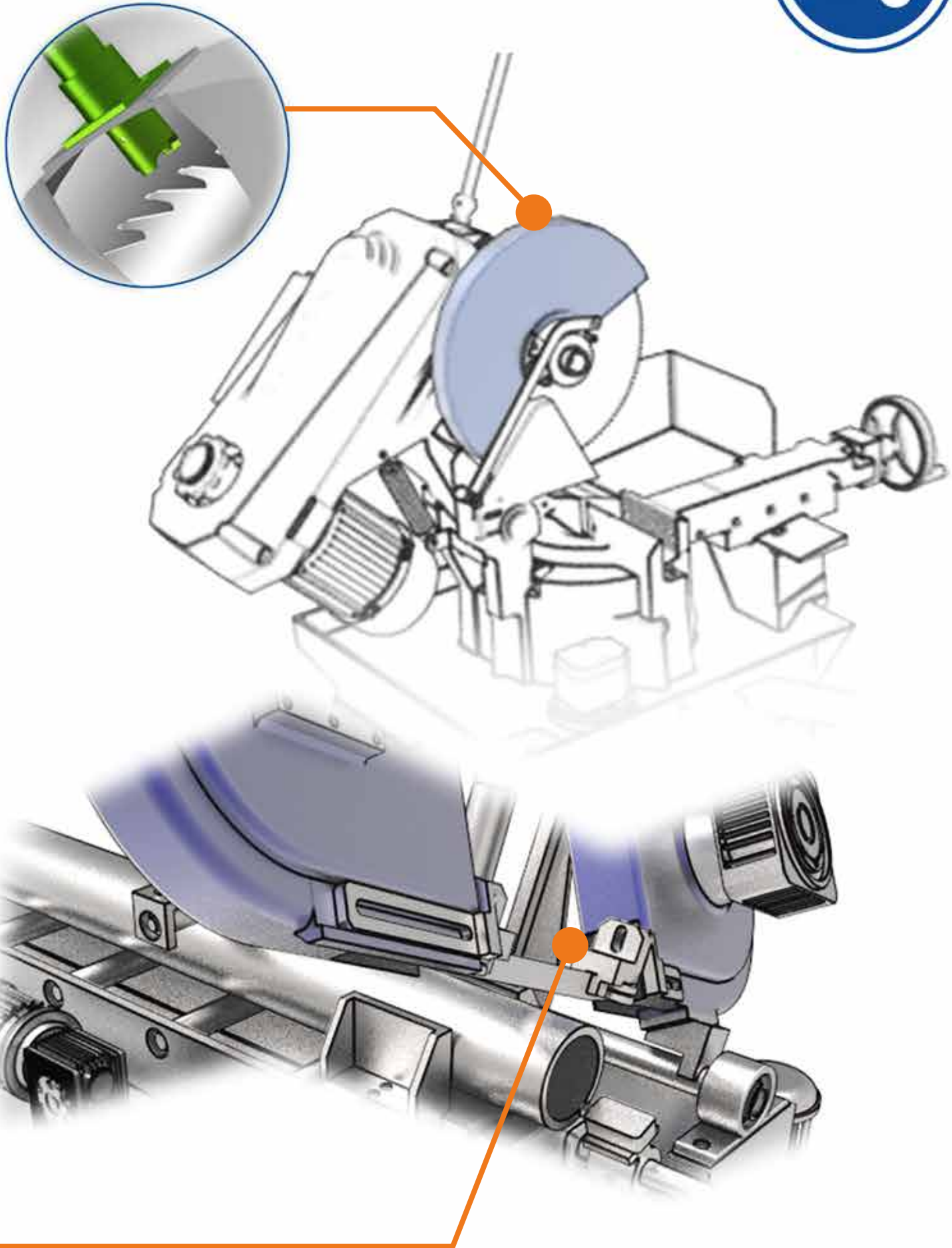
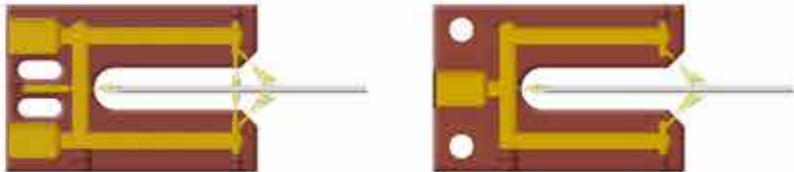
Single Pipe Nozzle

Flat Cone 60°
Single Pipe Nozzle for air/oil lubrication systems.

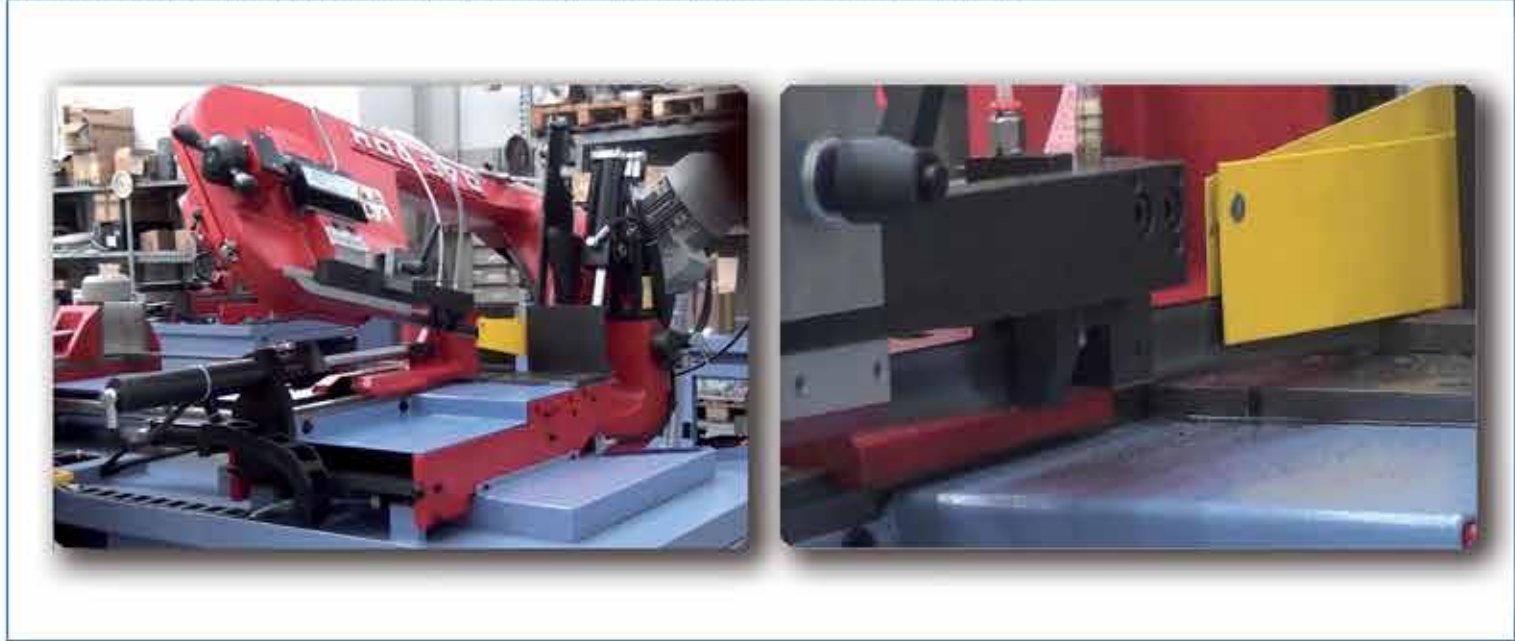


Band saw nozzles

These special nozzles are specific for band saw that allows lubricating both the working area and the side surface.



Automatic lubrication: optimisation of costs and work times



The use of lubrication systems is even more indispensable for the correct operation of machines when they operate in difficult environmental conditions, such as those in the Saw Solutions. The installation of an automatic lubrication system allows machine down times to be reduced and allows consumption of the lubricant to be controlled and the life of the bearings, chains and gears to be increased. Thanks to their many years of experience and a capillary network of branches and resellers all over the world, DropsA provides specific solutions for every need and follows the customer from the definition of the project to the installation to post sales support.

DropsA

Since 1946, DropsA has been producing systems and components for centralised lubrication, continuously developing new products and patents that have contributed to making the lubrication sector all over the world more innovative and competitive.

DropsA offers a vast range of products capable of maximising the profitability and productivity of your machinery, providing the latest technologies in terms of systems, functionality and components. Thanks to the branches and the specialised distribution channels, DropsA provides prompt responses, support and assistance to customers on a local or global level, guaranteeing the same high quality standards all over the world.



DropsA Production

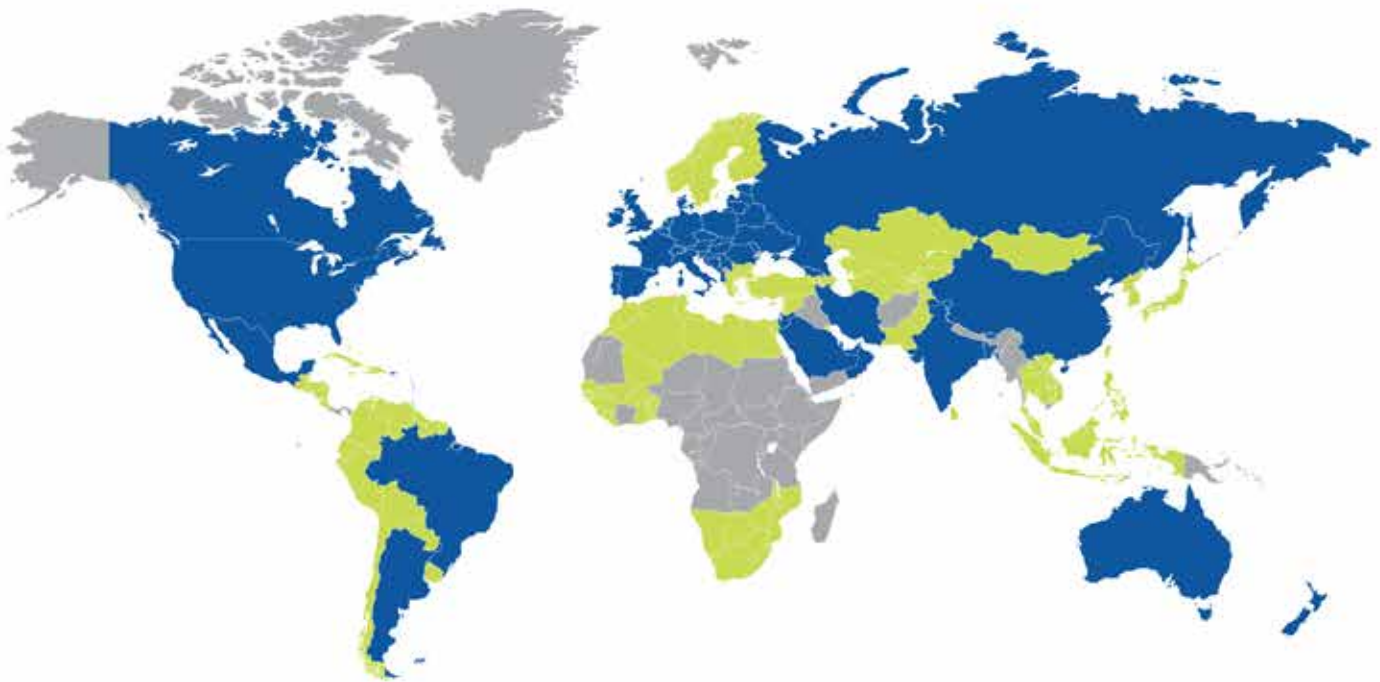
The production, processing and automated assembly systems that are in the central plant near Milan are equipped with an advanced quality monitoring and product traceability system in order to guarantee both highly efficient processing and product assembly that accurately reflects the technical specifications. Continuous investments in all of the areas of design, engineering and production of the products ensure a constant increase in the reliability of the products themselves.



Systems Solutions

- TOTAL LOSS LUBRICATION**
- GREASE LUBRICATION**
- AIR/OIL LUBRICATION**
- OIL RECIRCULATION LUBRICATION**
- MQL NEAR DRY MACHINING LUBRICATION**

DropsA



[@DropsA](#) [#LubricationSystems](#) [#Solutions](#) [#Innovation](#) [#Technology](#)