



### CHARACTERISTICS

**Operating pressure:**

- 45 bar

**Range of viscosity:**

- 50 to 750 mm<sup>2</sup>/s,  
NLGI 000-0\*

## AB-H SINGLE PISTON PUMP

The single piston pump AB-H is a robust hand lever pump. It is suitable for daily manual lubrication. The hand lever can be mounted in three different positions.



### TECHNICAL INFORMATION

#### General

Type	Single piston pump
Lubrication line connection	Pipe connection Ø 6 mm
Ambient temperature	From 0 to 80°C (32 to 176 °F)
Filling	manual or filling device

#### Hydraulic system

Operating pressure	45 bar
Flow rate	10.5 cm <sup>3</sup> /stroke
Operating medium	Mineral oil, fluid grease
Range of viscosity	50 to 750 mm <sup>2</sup> /s, NLGI 000-0*

#### Drive

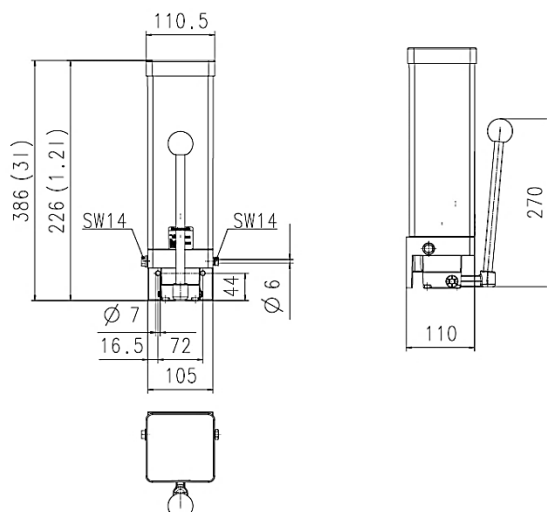
Type of drive	manual
Actuating force	200 N

### IDEAL FOR

- Daily manual lubrication with oil or fluid grease

### APPLICATIONS

- Small machines with manual lubrication
- Single point lubrication with oil or grease



### Order summary

Container Size [l]	Order number
1,2	P30011522
3,0	P30011523



**Spare parts**

<b>Order number</b>	<b>Designation</b>
P304 00 600	Cap
P302 15 201	Double taper ring
P302 56 621	Male fitting

**Accessory parts**

<b>Order number</b>	<b>Designation</b>
P620 04 053	Retaining screw
P620 50 004	Locking washer