

### Rotary dryer

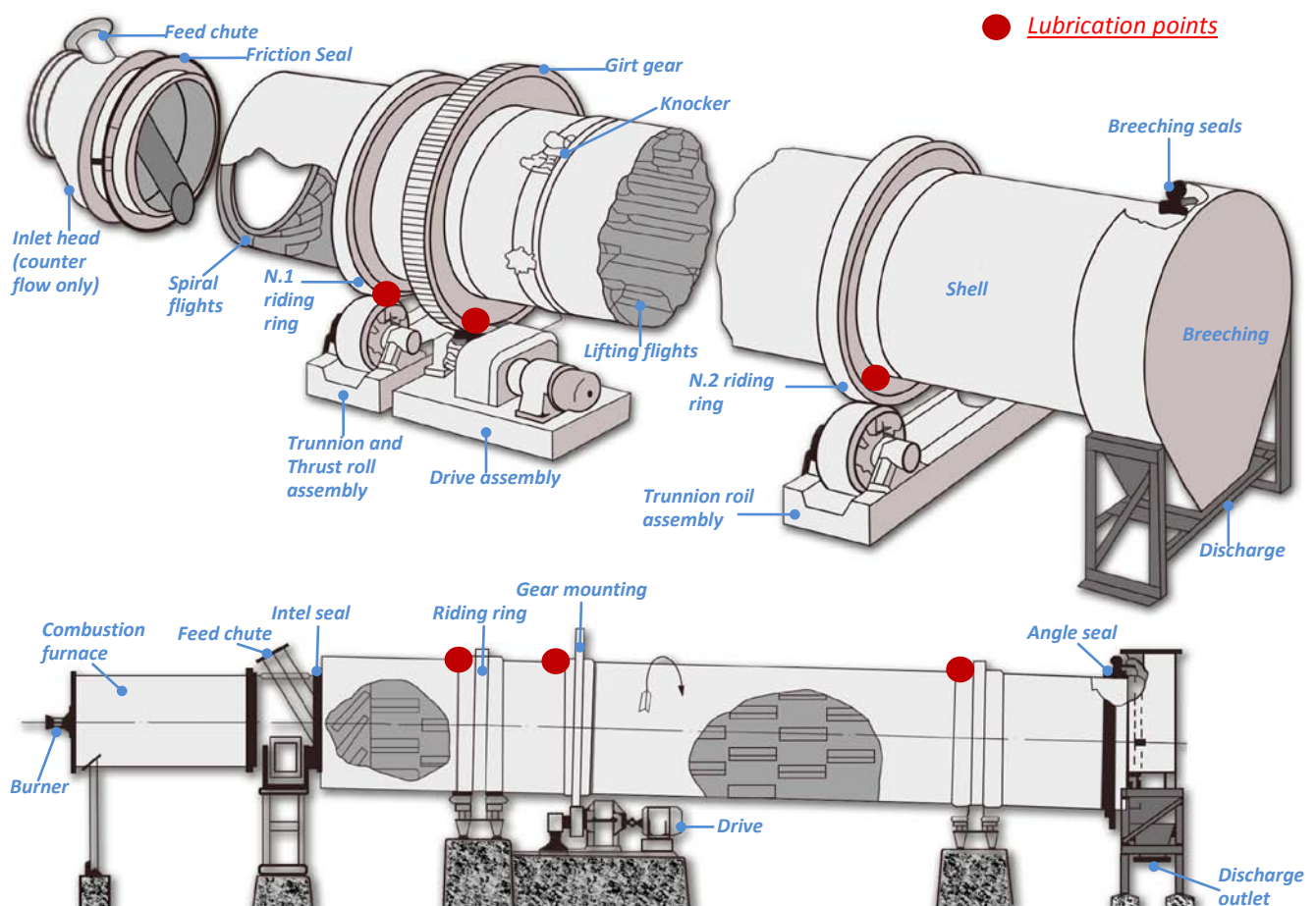
Kronospan is the world largest manufacturer of wood panel products and laminate flooring.

On their site at Wrexham, UK they had many problems with their dryer.

The wood dryer is essential to the manufacturing process as it reduces the moisture content of the wood chips before its used to make wood panels.

The rotary wood dryer turns on two riding rings and a girth gear. Whilst turning hot gases are blown through which reduces the moisture of the wood. These three areas need to be lubricate to ensure smooth operation and turning.

If they are not lubricated the gears deteriorate quicker which leads to inefficient running and increased energy costs due to increased load on the motors



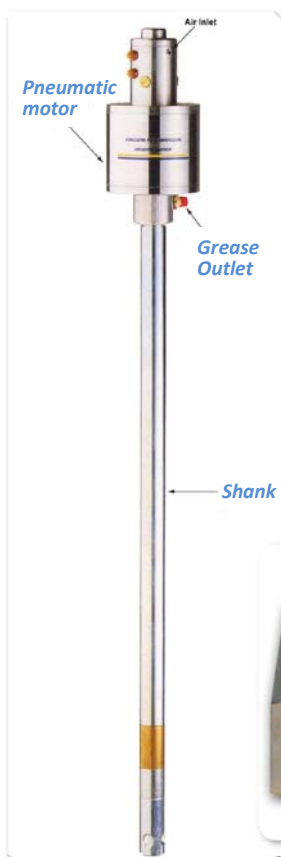
### DropsA solution

Typically this system uses a thick black grease with graphite in it.

DropsA proposed:

- **Pneumatic 234700 pump**
- **One master progressive block to feed the pump**
- **3 secondary progressives blocks.**

The grease needs to be sprayed on using DropsA 1132100 spray valve which has 400 mm coverage. DropsA also included an air delay timer which is a feature on the VIP5 Plus controller. This allowed the air to remain on to flush out the grease for up to 1 minute after the pump had stopped operating. If this is not done then grease builds up in the line and sawdust can block the nozzle tips.



### Pneumatic 234700 pump

The pneumatic grease pump is an assembly consisting of a cam pneumatic motor connected to a piston-pump located at the bottom of the suction unit.

### 1132100 spray valve

Valve for internal mixing suitable for gear pinion applications where it is required the distribution of the grease on parts in contact.



### SMX distributor

